

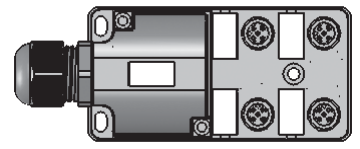


INDUSTRIAL CONNECTION PRODUCTS



Table of Contents

MIN Series	Size I CordsetsA-1-16
	Size I Receptacles.....B-1-14
	Size II.....C-1-12
	Size III.....D-1-14
MIN PowerE-1-4
MC SeriesF-1-14
Micro Series	Micro-AC G-1-18
	Micro-DC H-1-24
	Micro-DC Receptacles ... I-1-14
	EURO-AC.....J-1-8
NAN SeriesK-1-6
Bus Series	DeviceNet.....L-1-16
	Ethernet.....M-1-28
	Foundation Field Bus N-1-8
	Profibus DP O-1-6
	Profibus PA.....P-1-8
Junction Blocks	MIN..... Q-1-14
	Micro DC R-1-54
	Micro AC.....S-1-10
	NAN..... T-1-10
Valve Connectors U-1-16
Cable GlandsV-1-32
Panel Interface ConnectorsW-1-18
CablesX-1-8

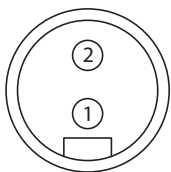




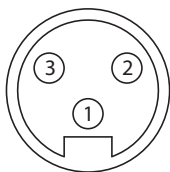
MIN Series Size I Cordsets

Cordsets 2-12

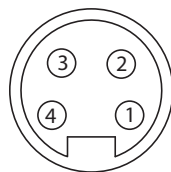
Accessories 13-15



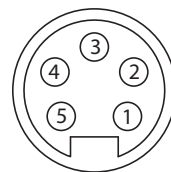
2 Pole



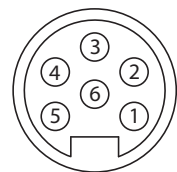
3 Pole



4 Pole



5 Pole



6 Pole



MIN Series Size I Cordsets

North American Color Code ❖ PVC Cable ❖ 18 AWG 300V Plugs

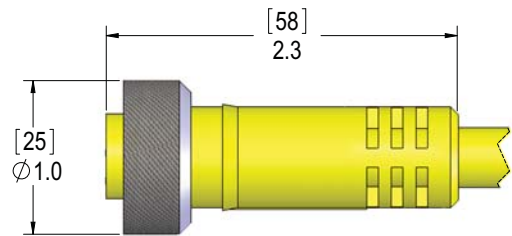
MIN Series Size I Cordsets

Face View of Male	# of Poles	Color Code	Wire AWG Rating	Length	Female Plugs		Male Plugs	
					Straight	Right Angle	Straight	Right Angle
	3	1-Green/Yellow 2-Black 3-White	18 300V 10A	3 FT 6 FT 12 FT 20 FT 30 FT	MIN-3FPX-3 MIN-3FPX-6 MIN-3FPX-12 MIN-3FPX-20 MIN-3FPX-30	MIN-3FPX-3-R MIN-3FPX-6-R MIN-3FPX-12-R MIN-3FPX-20-R MIN-3FPX-30-R	MIN-3MPX-3 MIN-3MPX-6 MIN-3MPX-12 MIN-3MPX-20 MIN-3MPX-30	MIN-3MPX-3-R MIN-3MPX-6-R MIN-3MPX-12-R MIN-3MPX-20-R MIN-3MPX-30-R
	5	1-White 2-Red 3-Green/Yellow 4-Orange 5-Black	18 300V 5.5A	3 FT 6 FT 12 FT 20 FT 30 FT	MIN-5FPX-3 MIN-5FPX-6 MIN-5FPX-12 MIN-5FPX-20 MIN-5FPX-30	MIN-5FPX-3-R MIN-5FPX-6-R MIN-5FPX-12-R MIN-5FPX-20-R MIN-5FPX-30-R	MIN-5MPX-3 MIN-5MPX-6 MIN-5MPX-12 MIN-5MPX-20 MIN-5MPX-30	MIN-5MPX-3-R MIN-5MPX-6-R MIN-5MPX-12-R MIN-5MPX-20-R MIN-5MPX-30-R
	6	1-White 2-Red 3-Green/Yellow 4-Orange 5-Black 6-Blue	18 300V 5.5A	3 FT 6 FT 12 FT 20 FT 30 FT	MIN-6FPX-3 MIN-6FPX-6 MIN-6FPX-12 MIN-6FPX-20 MIN-6FPX-30	MIN-6FPX-3-R MIN-6FPX-6-R MIN-6FPX-12-R MIN-6FPX-20-R MIN-6FPX-30-R	MIN-6MPX-3 MIN-6MPX-6 MIN-6MPX-12 MIN-6MPX-20 MIN-6MPX-30	MIN-6MPX-3-R MIN-6MPX-6-R MIN-6MPX-12-R MIN-6MPX-20-R MIN-6MPX-30-R

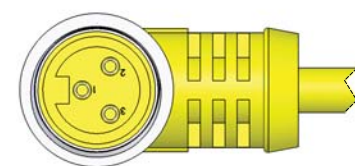
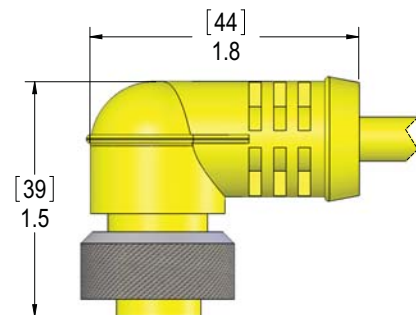
For Stainless Steel or Nylon coupling nut on straight cordsets, add a "-SS" suffix for Stainless or "-N" for Nylon (e.g. MIN-3FPX-6 becomes MIN-3FPX-6-SS). Please consult the factory for stainless steel or nylon right angle cordsets.

Specifications:

- Body: Oil Resistant Yellow PVC
- Contacts: Copper Alloy with Gold Plating
- Coupling Nut: Clear Anodized Aluminum
- Cable: Oil Resistant Yellow PVC Jacket,
Rated at 300V, 105°C, Non-Wicking,
Non-Hygroscopic, AWM Style 2661 or SJTOOW
- Conductors: 18 AWG Bare Copper, PVC Insulated
- Temperature: -40°C to +105°C (-40°F to +221°F)
- Protection: IP 67
- Approvals: U.S.: UL Recognized
Canada: C-UL Recognized



Straight Plug



Right Angle Female Plug

MIN Series Size I Cordsets

European Color Code ❖ PVC Cable ❖ 18 AWG 300V Plugs

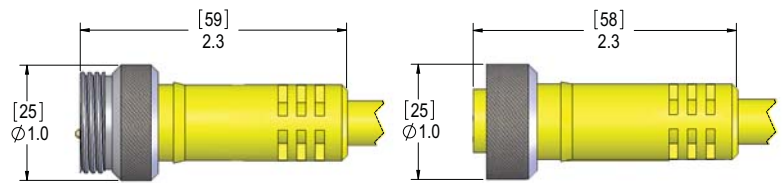


Face View of Male	# of Poles	Color Code	Wire AWG Rating	Length	Female Plugs		Male Plugs
					Straight	Right Angle	Straight
	3	1-Black 2-Brown 3-Blue	18 300V 8A	1 M	MINC-3FPX-1M	MINC-3FPX-1M-R	MINC-3MPX-1M
2 M				MINC-3FPX-2M	MINC-3FPX-2M-R	MINC-3MPX-2M	
4 M				MINC-3FPX-4M	MINC-3FPX-4M-R	MINC-3MPX-4M	
6 M				MINC-3FPX-6M	MINC-3FPX-6M-R	MINC-3MPX-6M	
10 M				MINC-3FPX-10M	MINC-3FPX-10M-R	MINC-3MPX-10M	
	3	1-Green/Yellow 2-Brown 3-Blue	18 300V 10A	1 M	MINE-3FPX-1M	MINE-3FPX-1M-R	MINE-3MPX-1M
2 M				MINE-3FPX-2M	MINE-3FPX-2M-R	MINE-3MPX-2M	
4 M				MINE-3FPX-4M	MINE-3FPX-4M-R	MINE-3MPX-4M	
6 M				MINE-3FPX-6M	MINE-3FPX-6M-R	MINE-3MPX-6M	
10 M				MINE-3FPX-10M	MINE-3FPX-10M-R	MINE-3MPX-10M	
	4	1-Brown 2-White 3-Blue 4-Black	18 300V 5.5A	1 M	MINC-4FPX-1M	MINC-4FPX-1M-R	MINC-4MPX-1M
2 M				MINC-4FPX-2M	MINC-4FPX-2M-R	MINC-4MPX-2M	
4 M				MINC-4FPX-4M	MINC-4FPX-4M-R	MINC-4MPX-4M	
6 M				MINC-4FPX-6M	MINC-4FPX-6M-R	MINC-4MPX-6M	
10 M				MINC-4FPX-10M	MINC-4FPX-10M-R	MINC-4MPX-10M	
	5	1-Black 2-Blue 3-Green/Yellow 4-Brown 5-White	18 300V 5.5A	1 M	MINE-5FPX-1M	MINE-5FPX-1M-R	MINE-5MPX-1M
2 M				MINE-5FPX-2M	MINE-5FPX-2M-R	MINE-5MPX-2M	
4 M				MINE-5FPX-4M	MINE-5FPX-4M-R	MINE-5MPX-4M	
6 M				MINE-5FPX-6M	MINE-5FPX-6M-R	MINE-5MPX-6M	
10 M				MINE-5FPX-10M	MINE-5FPX-10M-R	MINE-5MPX-10M	
	6	1-Green 2-White 3-Blue 4-Gray 5-Yellow 6-Brown	18 300V 5.5A	1 M	MINE-6FPX-1M	MINE-6FPX-1M-R	MINE-6MPX-1M
2 M				MINE-6FPX-2M	MINE-6FPX-2M-R	MINE-6MPX-2M	
4 M				MINE-6FPX-4M	MINE-6FPX-4M-R	MINE-6MPX-4M	
6 M				MINE-6FPX-6M	MINE-6FPX-6M-R	MINE-6MPX-6M	
10 M				MINE-6FPX-10M	MINE-6FPX-10M-R	MINE-6MPX-10M	

For Stainless Steel or Nylon coupling nut on straight female cordsets, add a "-SS" suffix for Stainless or "-N" for Nylon (e.g. MINE-3FPX-2M becomes MINE-3FPX-2M-SS). Please consult the factory for stainless steel or nylon right angle cordsets. Nylon is not available for male plugs. Please consult the factory for right angle male plugs.

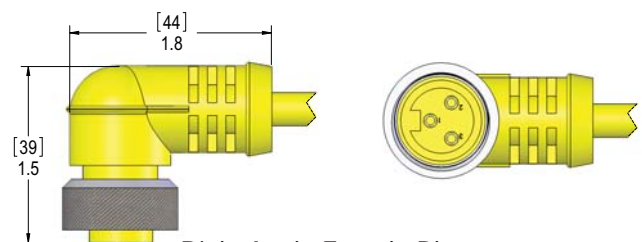
Specifications:

Body: Oil Resistant Yellow PVC
 Contacts: Copper Alloy with Gold Plating
 Coupling Nut: Clear Anodized Aluminum
 Cable: Oil Resistant Yellow PVC Jacket,
 Rated at 300V, 105°C, Non-Wicking,
 Non-Hygroscopic, AWM Style 2661
 or SJTOOW
 Conductors: 18 AWG Bare Copper, PVC Insulated
 Temperature: -40°C to +105°C (-40°F to +221°F)
 Protection: IP 67
 Approvals: U.S.: UL Recognized
 Canada: C-UL Recognized



Straight Male Plug

Straight Female Plug



Right Angle Female Plug



MIN Series Size I Cordsets

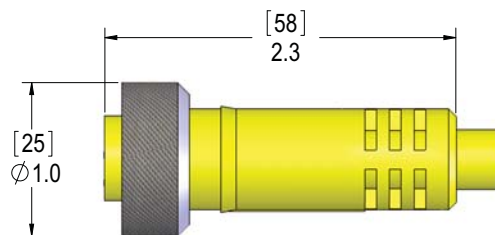
North American Color Code ❖ PVC Cable ❖ 16 AWG 600V Straight Plugs

MIN Series Size I Cordsets

Face View of Male	# of Poles	Color Code	Wire AWG Rating	Length	Female Plugs	Male Plugs
					Straight	Straight
	2	1-White 2-Black	16 600V 13A	3 FT 6 FT 12 FT 20 FT 30 FT	MIN-2FP-3 MIN-2FP-6 MIN-2FP-12 MIN-2FP-20 MIN-2FP-30	MIN-2MP-3 MIN-2MP-6 MIN-2MP-12 MIN-2MP-20 MIN-2MP-30
	3	1-Green/Yellow 2-Black 3-White	16 600V 13A	3 FT 6 FT 12 FT 20 FT 30 FT	MIN-3FP-3 * MIN-3FP-6 * MIN-3FP-12 * MIN-3FP-20 MIN-3FP-30	MIN-3MP-3 MIN-3MP-6 MIN-3MP-12 MIN-3MP-20 MIN-3MP-30
	4	1-Black 2-White 3-Red 4-Green/Yellow	16 600V 10A	3 FT 6 FT 12 FT 20 FT 30 FT	MIN-4FP-3 MIN-4FP-6 MIN-4FP-12 MIN-4FP-20 MIN-4FP-30	MIN-4MP-3 MIN-4MP-6 MIN-4MP-12 MIN-4MP-20 MIN-4MP-30
	5	1-White 2-Red 3-Green/Yellow 4-Orange 5-Black	16 600V 8A	3 FT 6 FT 12 FT 20 FT 30 FT	MIN-5FP-3 * MIN-5FP-6 * MIN-5FP-12 * MIN-5FP-20 MIN-5FP-30	MIN-5MP-3 MIN-5MP-6 MIN-5MP-12 MIN-5MP-20 MIN-5MP-30
	5	1-Black 2-Blue 3-Orange 4-Brown 5-White	16 600V 8A	6 FT 12 FT 20 FT	MIN-60-2423-1 ** MIN-60-2423-2 ** MIN-60-2423-3 **	
	6	1-White 2-Red 3-Green/Yellow 4-Orange 5-Black 6-Blue	16 600V 8A	3 FT 6 FT 12 FT 20 FT 30 FT	MIN-6FP-3 MIN-6FP-6 MIN-6FP-12 MIN-6FP-20 MIN-6FP-30	MIN-6MP-3 MIN-6MP-6 MIN-6MP-12 MIN-6MP-20 MIN-6MP-30

For Stainless Steel or Nylon coupling nut, add a "-SS" suffix for Stainless or "-N" for Nylon (e.g. MIN-3FP-6 becomes MIN-3FP-6-SS). *Black cable is available for these cordsets. **Common Color Code for Allen-Bradley®***
Photo-Electric Devices. *** Registered Trademark of Allen-Bradley Company, LLC

Specifications:
Please see Page A-5.



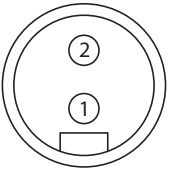
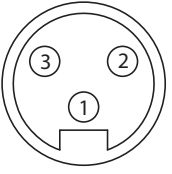
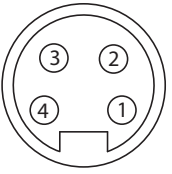
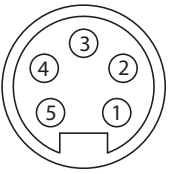
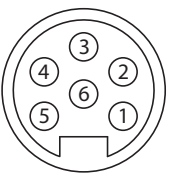
Straight Female Plug

MIN Series Size I Cordsets

North American Color Code ❖ PVC Cable ❖ 16 AWG 600V Right Angle Plugs



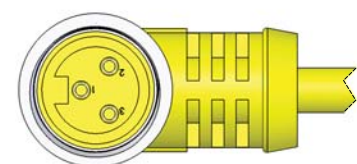
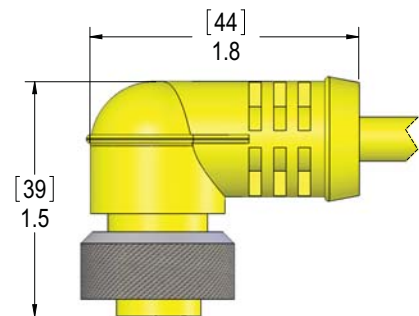
MIN Series Size I Cordsets

Face View of Male	# of Poles	Color Code	Wire AWG Rating	Length	Female Plugs	Male Plugs
					Right Angle	Right Angle
	2	1-White 2-Black	16 600V 13A	3 FT 6 FT 12 FT 20 FT 30 FT	MIN-2FP-3-R MIN-2FP-6-R MIN-2FP-12-R MIN-2FP-20-R MIN-2FP-30-R	MIN-2MP-3-R MIN-2MP-6-R MIN-2MP-12-R MIN-2MP-20-R MIN-2MP-30-R
	3	1-Green/Yellow 2-Black 3-White	16 600V 13A	3 FT 6 FT 12 FT 20 FT 30 FT	MIN-3FP-3-R MIN-3FP-6-R MIN-3FP-12-R MIN-3FP-20-R MIN-3FP-30-R	MIN-3MP-3-R MIN-3MP-6-R MIN-3MP-12-R MIN-3MP-20-R MIN-3MP-30-R
	4	1-Black 2-White 3-Red 4-Green/Yellow	16 600V 10A	3 FT 6 FT 12 FT 20 FT 30 FT	MIN-4FP-3-R MIN-4FP-6-R MIN-4FP-12-R MIN-4FP-20-R MIN-4FP-30-R	MIN-4MP-3-R MIN-4MP-6-R MIN-4MP-12-R MIN-4MP-20-R MIN-4MP-30-R
	5	1-White 2-Red 3-Green/Yellow 4-Orange 5-Black	16 600V 8A	3 FT 6 FT 12 FT 20 FT 30 FT	MIN-5FP-3-R MIN-5FP-6-R MIN-5FP-12-R MIN-5FP-20-R MIN-5FP-30-R	MIN-5MP-3-R MIN-5MP-6-R MIN-5MP-12-R MIN-5MP-20-R MIN-5MP-30-R
	6	1-White 2-Red 3-Green/Yellow 4-Orange 5-Black 6-Blue	16 600V 8A	3 FT 6 FT 12 FT 20 FT 30 FT	MIN-6FP-3-R MIN-6FP-6-R MIN-6FP-12-R MIN-6FP-20-R MIN-6FP-30-R	MIN-6MP-3-R MIN-6MP-6-R MIN-6MP-12-R MIN-6MP-20-R MIN-6MP-30-R

Please consult factory for Stainless Steel or Nylon coupling nuts. Black cable is available for some cables. Please consult the factory for part number and availability. Minimums may apply.

Specifications:

- Body: Oil Resistant Yellow PVC
- Contacts: Copper Alloy with Gold Plating
- Coupling Nut: Clear Anodized Aluminum
- Cable: Oil Resistant Yellow PVC Jacket,
Rated at 600V, 105°C,
Non-Wicking, Non-Hygroscopic, UL Style STOW
- Conductors: 16 AWG Bare Copper, PVC Insulated
- Temperature: -40°C to +105°C (-40°F to +221°F)
- Protection: IP 67
- Approvals: U.S.: UL Recognized
Canada: C-UL Recognized



Right Angle Female Plug



MIN Series Size I Cordsets

North American Automotive Color Code PER ANSI B93.55M-1981

❖ PVC Cable ❖ 16 AWG 600V Plugs ❖ 18 AWG 300V Plugs

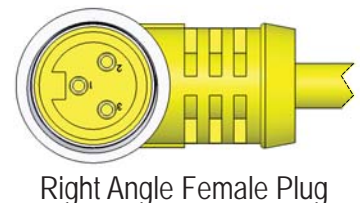
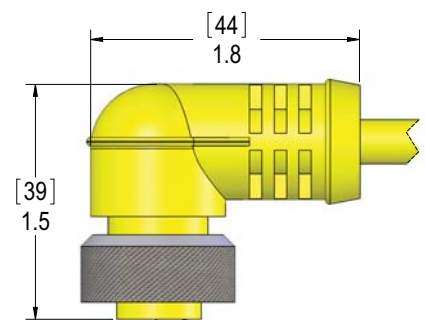
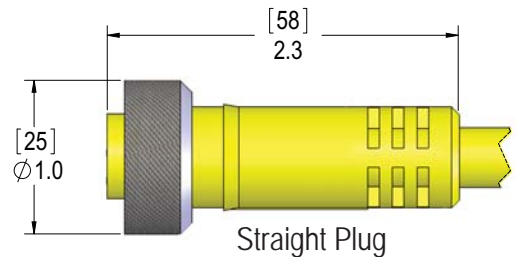
MIN Series Size I Cordsets

Face View of Male	# of Poles	Color Code	Wire AWG Rating	Length	Female Plugs		Male Plugs
					Straight	Right Angle	Straight
	3	1-Green/Yellow 2-Red w/ Black 3-Red w/ White	16 600V 13A	3 FT 6 FT 12 FT 20 FT 30 FT	MIN-3FP-3A MIN-3FP-6A MIN-3FP-12A MIN-3FP-20A MIN-3FP-30A	MIN-3FP-3A-R MIN-3FP-6A-R MIN-3FP-12A-R MIN-3FP-20A-R MIN-3FP-30A-R	MIN-3MP-3A MIN-3MP-6A MIN-3MP-12A MIN-3MP-20A MIN-3MP-30A
	3	1-Green/Yellow 2-Red w/ Black 3-Red w/ White	18 300V 10A	3 FT 6 FT 12 FT 20 FT 30 FT	MIN-3FPX-3A MIN-3FPX-6A MIN-3FPX-12A MIN-3FPX-20A MIN-3FPX-30A	MIN-3FPX-3A-R MIN-3FPX-6A-R MIN-3FPX-12A-R MIN-3FPX-20A-R MIN-3FPX-30A-R	MIN-3MPX-3A MIN-3MPX-6A MIN-3MPX-12A MIN-3MPX-20A MIN-3MPX-30A
	5	1-Red w/ White 2-Red 3-Green/Yellow 4-Red w/ Yellow 5-Red w/ Black	16 600V 8A	3 FT 6 FT 12 FT 20 FT 30 FT	MIN-5FP-3A MIN-5FP-6A MIN-5FP-12A MIN-5FP-20A MIN-5FP-30A	MIN-5FP-3A-R MIN-5FP-6A-R MIN-5FP-12A-R MIN-5FP-20A-R MIN-5FP-30A-R	MIN-5MP-3A MIN-5MP-6A MIN-5MP-12A MIN-5MP-20A MIN-5MP-30A
	5	1-Red w/ White 2-Red 3-Green/Yellow 4-Red w/ Yellow 5-Red w/ Black	18 300V 5.5A	3 FT 6 FT 12 FT 20 FT 30 FT	MIN-5FPX-3A MIN-5FPX-6A MIN-5FPX-12A MIN-5FPX-20A MIN-5FPX-30A	MIN-5FPX-3A-R MIN-5FPX-6A-R MIN-5FPX-12A-R MIN-5FPX-20A-R MIN-5FPX-30A-R	MIN-5MPX-3A MIN-5MPX-6A MIN-5MPX-12A MIN-5MPX-20A MIN-5MPX-30A

For Stainless Steel or Nylon coupling nut on straight cordsets, add a "-SS" suffix for Stainless or "-N" for Nylon (e.g. MIN-3FP-6A becomes MIN-3FP-6A-SS). Please consult the factory for right angle male connections.

Specifications:

- Body: Oil Resistant Yellow PVC
- Contacts: Copper Alloy with Gold Plating
- Coupling Nut: Clear Anodized Aluminum
- Cable: Oil Resistant Yellow PVC Jacket,
16 AWG STOW, Rated at 600V, 105°C
18 AWG AWM 2661 Rated at 300V, 105°C
Non-Wicking, Non-Hygroscopic
- Conductors: 16 AWG Bare Copper, PVC Insulated
18 AWG Bare Copper, PVC Insulated
- Temperature: -40°C to +105°C (-40°F to +221°F)
- Protection: IP 67
- Approvals: U.S.: UL Recognized
Canada: C-UL Recognized



MIN Series Size I

Male-Female Extension Cables ❖ PVC Cable ❖ 16 AWG 600V Plugs
❖ 18 AWG 300V Plugs

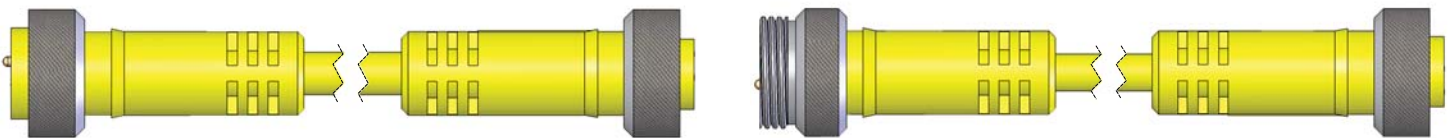


Adapter couplings that allow user to mate a male plug to a female plug are necessary for most of the MIN Series Connectors. This is due to the use of female coupling nuts on both the male and female plugs. When mating to a receptacle, the adapter is not necessary. See accessory items (page A-14).

Face View of Male	# of Poles	Length	Male - Female Extension Cables		Length	Male (Male Threads) to Female (Female Threads)
			16 AWG	18 AWG		18 AWG
	2	3 FT	MIN-2MFP-3	MIN-2MFPX-3	1 M	MINE-2MFPX-1M
6 FT		MIN-2MFP-6	MIN-2MFPX-6	2 M	MINE-2MFPX-2M	
12 FT		MIN-2MFP-12	MIN-2MFPX-12	4 M	MINE-2MFPX-4M	
20 FT		MIN-2MFP-20	MIN-2MFPX-20	6 M	MINE-2MFPX-6M	
30 FT		MIN-2MFP-30	MIN-2MFPX-30	10 M	MINE-2MFPX-10M	
	3	3 FT	MIN-3MFP-3	MIN-3MFPX-3	1 M	MINE-3MFPX-1M
6 FT		MIN-3MFP-6	MIN-3MFPX-6	2 M	MINE-3MFPX-2M	
12 FT		MIN-3MFP-12	MIN-3MFPX-12	4 M	MINE-3MFPX-4M	
20 FT		MIN-3MFP-20	MIN-3MFPX-20	6 M	MINE-3MFPX-6M	
30 FT		MIN-3MFP-30	MIN-3MFPX-30	10 M	MINE-3MFPX-10M	
	4	3 FT	MIN-4MFP-3	MIN-4MFPX-3	1 M	MINC-4MFPX-1M*
6 FT		MIN-4MFP-6	MIN-4MFPX-6	2 M	MINC-4MFPX-2M*	
12 FT		MIN-4MFP-12	MIN-4MFPX-12	4 M	MINC-4MFPX-4M*	
20 FT		MIN-4MFP-20	MIN-4MFPX-20	6 M	MINC-4MFPX-6M*	
30 FT		MIN-4MFP-30	MIN-4MFPX-30	10 M	MINC-4MFPX-10M*	
	5	3 FT	MIN-5MFP-3	MIN-5MFPX-3	1 M	MINE-5MFPX-1M
6 FT		MIN-5MFP-6	MIN-5MFPX-6	2 M	MINE-5MFPX-2M	
12 FT		MIN-5MFP-12	MIN-5MFPX-12	4 M	MINE-5MFPX-4M	
20 FT		MIN-5MFP-20	MIN-5MFPX-20	6 M	MINE-5MFPX-6M	
30 FT		MIN-5MFP-30	MIN-5MFPX-30	10 M	MINE-5MFPX-10M	
	6	3 FT	MIN-6MFP-3	MIN-6MFPX-3	1 M	MINE-6MFPX-1M
6 FT		MIN-6MFP-6	MIN-6MFPX-6	2 M	MINE-6MFPX-2M	
12 FT		MIN-6MFP-12	MIN-6MFPX-12	4 M	MINE-6MFPX-4M	
20 FT		MIN-6MFP-20	MIN-6MFPX-20	6 M	MINE-6MFPX-6M	
30 FT		MIN-6MFP-30	MIN-6MFPX-30	10 M	MINE-6MFPX-10M	

Please consult the factory for polyurethane (PUR) extension cables, right angle versions, and stainless steel or nylon couplings.

*For the MINC face view see page A-3.



Male - Female Extension Cable

Male (Male Threads) to Female (Female Threads)



MIN Series Size I Cordsets

Polyurethane Jacket ❖ 16 AWG 600V Plugs ❖ 18 AWG 300V Plugs

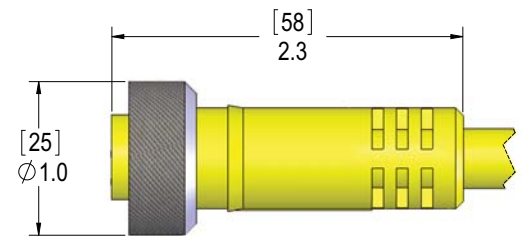
MIN Series Size I Cordsets

Face View of Male	# of Poles	Color Code	Wire AWG Rating	Length	Female Plugs		Male Plugs
					Straight	Right Angle	Straight
	3	1-Green/Yellow 2-Black 3-White	16 600V 13A	3 FT 6 FT 12 FT 20 FT 30 FT	MINP-3FP-3 MINP-3FP-6 MINP-3FP-12 MINP-3FP-20 MINP-3FP-30	MINP-3FP-3-R MINP-3FP-6-R MINP-3FP-12-R MINP-3FP-20-R MINP-3FP-30-R	MINP-3MP-3 MINP-3MP-6 MINP-3MP-12 MINP-3MP-20 MINP-3MP-30
	4	1-Brown 2-White 3-Blue 4-Black	18 300V 5.5A	1 M 2 M 4 M 6 M 10 M	MINCP-4FPX-1M MINCP-4FPX-2M MINCP-4FPX-4M MINCP-4FPX-6M MINCP-4FPX-10M	MINCP-4FPX-1M-R MINCP-4FPX-2M-R MINCP-4FPX-4M-R MINCP-4FPX-6M-R MINCP-4FPX-10M-R	Consult Factory
	5	1-White 2-Red 3-Green/Yellow 4-Orange 5-Black	16 600V 8A	3 FT 6 FT 12 FT 20 FT 30 FT	MINP-5FP-3 MINP-5FP-6 MINP-5FP-12 MINP-5FP-20 MINP-5FP-30	MINP-5FP-3-R MINP-5FP-6-R MINP-5FP-12-R MINP-5FP-20-R MINP-5FP-30-R	MINP-5MP-3 MINP-5MP-6 MINP-5MP-12 MINP-5MP-20 MINP-5MP-30
	6	1-White 2-Red 3-Green/Yellow 4-Orange 5-Black 6-Blue	18 300V 5.5A	3 FT 6 FT 12 FT 20 FT 30 FT	MINP-6FPX-3 MINP-6FPX-6 MINP-6FPX-12 MINP-6FPX-20 MINP-6FPX-30	MINP-6FPX-3-R MINP-6FPX-6-R MINP-6FPX-12-R MINP-6FPX-20-R MINP-6FPX-30-R	MINP-6MPX-3 MINP-6MPX-6 MINP-6MPX-12 MINP-6MPX-20 MINP-6MPX-30

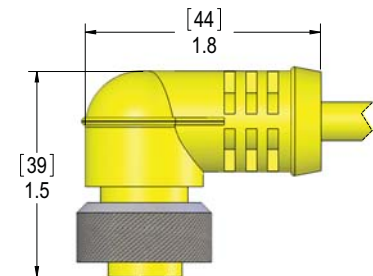
For Stainless Steel or Nylon coupling nut, add a "-SS" suffix for Stainless or "-N" for Nylon (e.g. MINP-3FP-6 becomes MINP-3FP-6-SS) on straight cordsets. Please consult the factory for stainless steel or nylon right angle cordsets.

Specifications:

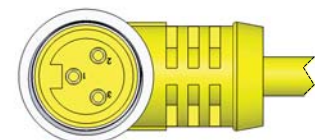
- Body: Oil Resistant Yellow Polyurethane (PUR)
- Contacts: Copper Alloy with Gold Plating
- Coupling Nut: Clear Anodized Aluminum
- Cable: Oil resistant Yellow Polyurethane Jacket,
 - 16 AWG: Rated at 600V, 80°C
 - 18 AWG: Rated at 300V, 80°C,
- Non-Wicking, Non-Hygroscopic, UL Style 20233
- Conductors:
 - 16 AWG Bare Copper, PVC Insulated
 - 18 AWG Bare Copper, PVC Insulated
- Temperature: -40°C to +80°C (-40°F to +176°F)
- Protection: IP 67
- Approvals:
 - U.S.: UL Recognized
 - Canada: C-UL Recognized



Straight Plug



Right Angle Female Plug



MIN Series Size I Cordsets

North American Color Code ❖ TPE Jacket ❖ 16 AWG 600V

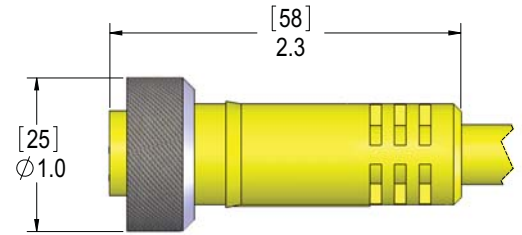


Face View of Male	# of Poles	Color Code	Wire AWG Rating	Length	Female Plugs		Male Plugs	Male - Female Extension Cables
					Straight	Right Angle	Straight	
	3	1-Green/Yellow 2-Black 3-White	16 600V 13A	3 FT	MINW-3FP-3	MINW-3FP-3-R	MINW-3MP-3	MINW-3MFP-3
				6 FT	MINW-3FP-6	MINW-3FP-6-R	MINW-3MP-6	MINW-3MFP-6
				12 FT	MINW-3FP-12	MINW-3FP-12-R	MINW-3MP-12	MINW-3MFP-12
				20 FT	MINW-3FP-20	MINW-3FP-20-R	MINW-3MP-20	MINW-3MFP-20
				30 FT	MINW-3FP-30	MINW-3FP-30-R	MINW-3MP-30	MINW-3MFP-30
	5	1-White 2-Red 3-Green/Yellow 4-Orange 5-Black	16 600V 8A	3 FT	MINW-5FP-3	MINW-5FP-3-R	MINW-5MP-3	MINW-5MFP-3
				6 FT	MINW-5FP-6	MINW-5FP-6-R	MINW-5MP-6	MINW-5MFP-6
				12 FT	MINW-5FP-12	MINW-5FP-12-R	MINW-5MP-12	MINW-5MFP-12
				20 FT	MINW-5FP-20	MINW-5FP-20-R	MINW-5MP-20	MINW-5MFP-20
				30 FT	MINW-5FP-30	MINW-5FP-30-R	MINW-5MP-30	MINW-5MFP-30

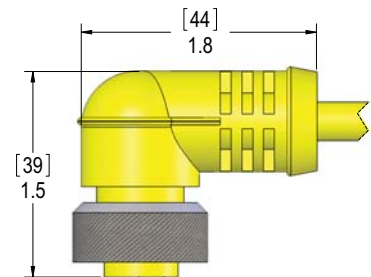
MIN Series Size I Cordsets

Specifications:

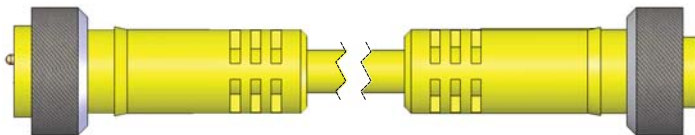
- Body: Oil Resistant Yellow PVC
- Contacts: Copper Alloy with Gold Plating
- Coupling Nut: Clear Anodized Aluminum
- Cable: Weld Slag Resistant Yellow TPE Jacket,
16 AWG Rated at 600V, 80°C
Non-Wicking, Non-Hygroscopic, SEOOW Style
- Temperature: -40°C to +80°C (-40°F to +176°F)
- Protection: IP 67
- Approvals: U.S.: UL Recognized
Canada: C-UL Recognized



Straight Plug



Right Angle Female Plug

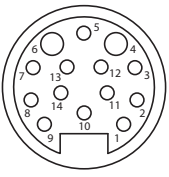


Male - Female Extension

MIN Series Size I Cordsets

North American Color Code ❖ Polyurethane Jacket ❖ 18, 22 AWG 300V Plugs
❖ Male-Female Extension Cables

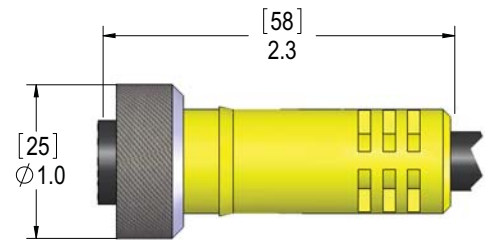
MIN Series Size I Cordsets

Face View of Male	# of Poles	Color Code	Wire AWG Rating	Length	Female Plugs	Male Plugs	Male - Female Extension Cables
	14	1-Gray w/Pink 2-White w/ Green 3-White w/ Yellow 4-Brown* 5-Brown w/ Yellow 6-Blue* 7-Yellow 8-Green 9-Pink 10-White 11-Red w/ Blue 12-Brown w/ Green 13-Gray 14-Red	18/2 300V 8A ----- 22/12 300V 2A	2 M 5 M 10 M	MINP-14FP-2M MINP-14FP-5M MINP-14FP-10M	MINP-14MP-2M MINP-14MP-5M MINP-14MP-10M	MINP-14MFP-2M MINP-14MFP-5M MINP-14MFP-10M

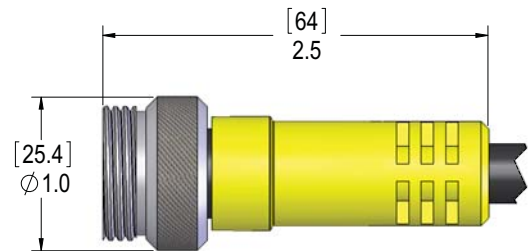
*Note: Pins 4 and 6 have 18 AWG wires.

Specifications:

Body: Oil Resistant Yellow Polyurethane (PUR)
 Insert: Polyamide
 Seal: NBR
 Contacts: Copper Alloy with Gold Plating
 Coupling Nut: Clear Anodized Aluminum
 Cable: Oil Resistant Black PUR Jacket,
 18 & 22 AWG Rated at 300V, 80°C
 Non-Wicking, Non-Hygroscopic, AWM Style 20233
 Temperature: -40°C to +80°C (-40°F to +176°F)
 Protection: IP 67

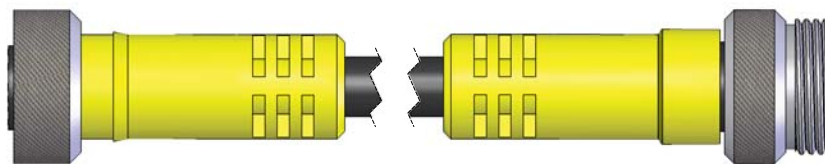


Straight Female Plug



Straight Male Plug

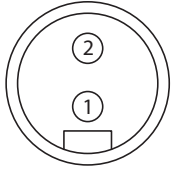
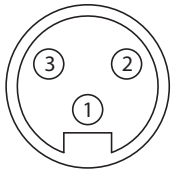
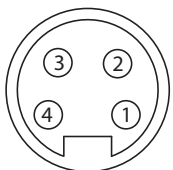
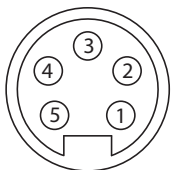
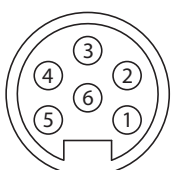
Extension Cable



MIN Series Size I

Dummy Plugs ❖ Jumpered Pins



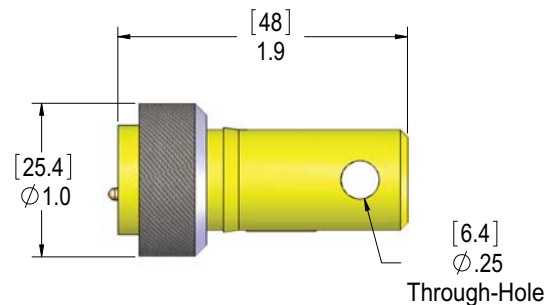
Face View of Male	# of Poles	Jumpers	Female Plugs	Male Plugs
	2	1 to 2	MIN-2FP-DP1	MIN-2MP-DP1
	3	2 to 3	MIN-3FP-DP1	MIN-3MP-DP1
	4	1 to 2 3 to 4	MIN-4FP-DP1	MIN-4MP-DP1
	5	2 to 4	MIN-5FP-DP1	MIN-5MP-DP1
	6	1 to 2 4 to 5	MIN-6FP-DP1	MIN-6MP-DP1

For Stainless Steel or Nylon locking ring, add a "-SS" suffix for Stainless or "-N" for Nylon (e.g. MIN-3FP-DP1 becomes MIN-3FP-DP1-SS). Alternate wiring is available, please consult the factory.

DeviceNet and Profibus terminating plugs are available, please see the DeviceNet & Profibus sections.

Specifications:

- Body: Oil Resistant Yellow PVC
- Contacts: Copper Alloy with Gold Plating
- Coupling Nut: Clear Anodized Aluminum
- Jumpers: 18 AWG
- Temperature: -40°C to +105°C (-40°F to +221°F)
- Protection: IP 67

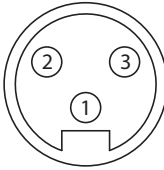
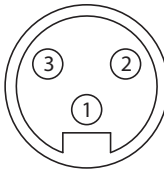
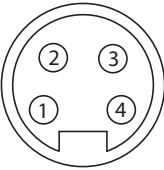
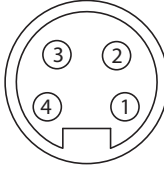
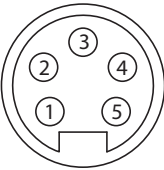
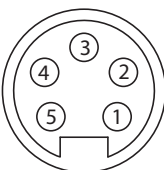




MIN Series Size I "T" Connector

Male to Two Female "T"

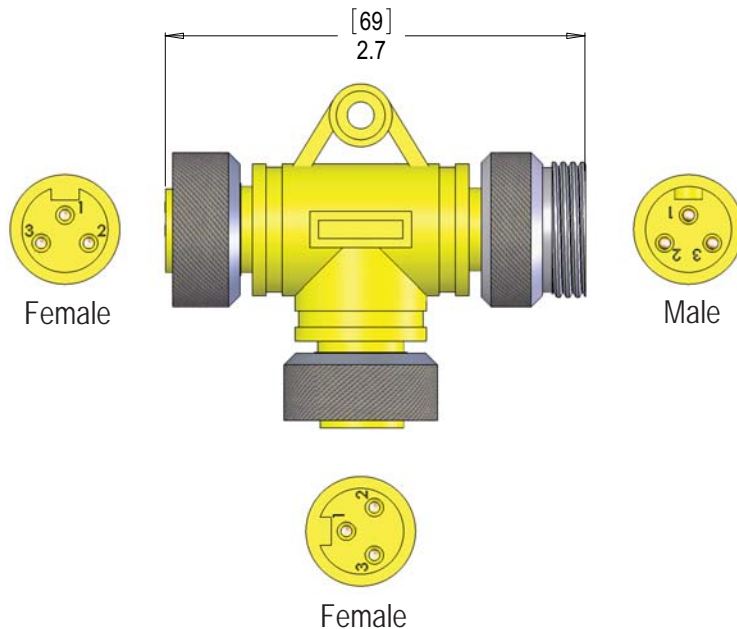
MIN Series Size I Cordsets

Face View of Female	# of Poles	Rating	Part Numbers	Wiring	Face View of Male
	3	300V 8A	MIN-3MFF-T	1 to 1 to 1 2 to 2 to 2 3 to 3 to 3	
	4	300V 8A	MIN-4MFF-T	1 to 1 to 1 2 to 2 to 2 3 to 3 to 3 4 to 4 to 4	
	5	300V 8A	MIN-5MFF-T	1 to 1 to 1 2 to 2 to 2 3 to 3 to 3 4 to 4 to 4 5 to 5 to 5	

Stainless Steel Couplings are available; please consult the factory for part number and availability.

Specifications:

- Body: Oil Resistant Yellow PVC
- Contacts: Copper Alloy with Gold Plating
- Coupling Nut: Clear Anodized Aluminum
- Temperature: -40°C to +105°C (-40°F to +221°F)
- Protection: IP 67
- Approvals: U.S.: UL Recognized
Canada: C-UL Recognized



MIN Series Size I Field Wireable Plugs

16-22 AWG 600V



Face View of Male	# of Poles	Wire AWG Rating	Cable O.D. Range	Female Straight (Female Threads)	Male Straight (Female Threads)	Male Straight (Male Threads)
	3	14-22 600V MAX 18A MAX	5-13 mm 8-17 mm	MIN-3FP-FW MIN-3FP-FWX	MIN-3MP-FW MIN-3MP-FWX	MIN-3MPM-FW MIN-3MPM-FWX
	4	14-22 600V MAX 15A MAX	5-13 mm 8-17 mm	MIN-4FP-FW MIN-4FP-FWX	MIN-4MP-FW MIN-4MP-FWX	MIN-4MPM-FW MIN-4MPM-FWX
	4	14-22 600V MAX 15A MAX	5-13 mm 8-17 mm	MINC-4FP-FW MINC-4FP-FWX		MINC-4MP-FW MINC-4MP-FWX
	5	14-22 600V MAX 12A MAX	5-13 mm 8-17 mm	MIN-5FP-FW MIN-5FP-FWX	MIN-5MP-FW MIN-5MP-FWX	MIN-5MPM-FW MIN-5MPM-FWX
	6	16-22 600V MAX 8A MAX	5-13 mm 8-17 mm	MIN-6FP-FW MIN-6FP-FWX	MIN-6MP-FW MIN-6MP-FWX	MIN-6MPM-FW MIN-6MPM-FWX

MIN Series Size I Cordsets

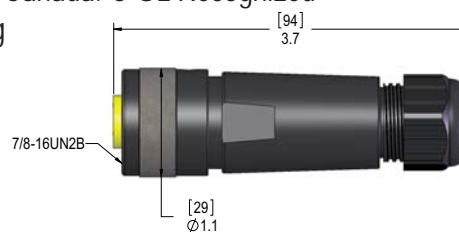
Connection via screw terminal. Voltage and amperage ratings are cable dependent and are based on 600V 14 AWG cable. Cables with lower voltage ratings and smaller conductors will lower these ratings.

Specifications:

- Body: Polyamide
- Contacts: Copper Alloy with Gold Plating
- O-Ring: BUNA-N
- Coupling Nut: Black Anodized Aluminum
- Insert: PVC
- Temperature: -40°C to +90°C (-40°F to +194°F)
- Protection: IP 67
- Approvals: US: UL Recognized; Canada: C-UL Recognized
6 Pole is UL-Pending



Male Straight (Female Threads)



Female Straight (Female Threads)



Male Straight (Male Threads)

A-13



MIN Series Size I Accessories

Caps ❖ Adapter Coupling ❖ Plug

MIN Series Size I Cordsets

Closure Caps			
Part Number: MIN-CAP (For covering receptacles & plugs with male threads)		Part Number: MIN-PLUG (For covering receptacles & plugs with female threads)	
0.170" Diameter Mounting Hole for Securing Chain. Materials: Clear Anodized Aluminum with Nickel Plated Brass Chain and Hardware.			

Plastic Closure Cap			
Part Number: MIN-CAP-PASW (For covering receptacles & plugs with male threads)		Side View	
Tether mounts under receptacles with 1/2" NPT or M20 mounting threads and also serves as a gasket. For male plugs with male threads, tether will attach to the plug. Material: NBR			

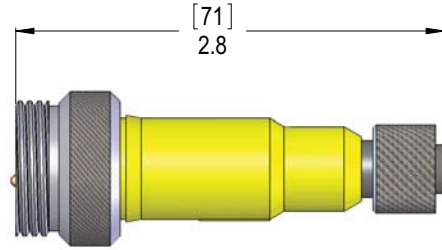
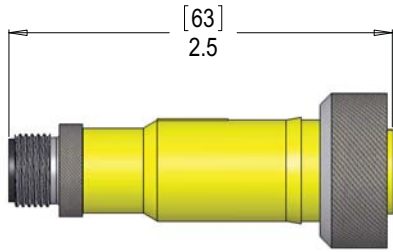
MIN Series I Adapter Coupling			
Part Number: MIN-XMP-AD (For connecting male & female plugs with female couplings)		Material	Clear Anodized Aluminum
Part Number: MIN-XMP-AD-SS (For connecting male & female plugs with female couplings)		Material	Stainless Steel

MIN Series I Plug			
Part Number: MIN-PLUG-N (For covering receptacles & plugs with female threads)		Material	Clear Anodized Aluminum

NBR Tether is available for the MIN-CAP and MIN-PLUG. Please consult the factory for part number and availability.

MIN Series Size I Accessories

Accessories ❖ MIN to MDC Adapter Plugs



MIN Series Size I Cordsets

MICRO-DC Male to MIN Female				MIN Male to MDC Female			
Face View of Male	Connection Diagram	Face View of Female	Part Number	Face View of Male	Connection Diagram	Face View of Female	Part Number
			MDCIN-3MFP-AD1				MINEDC-3MFP-AD1
			MDCIN-4MFP-AD1				MINEDC-4MFP-AD1
			MDCIN-5MFP-AD1				MINEDC-5MFP-AD1

Specifications:

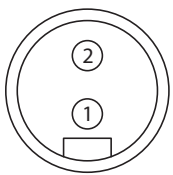
- Body: Oil Resistant Yellow PVC
- Contacts: Copper Alloy with Gold Plating
- Coupling Nuts: MDC: Nickel Plated Brass
MIN: Clear Anodized Aluminum
- Inserts: MDC: Polyamide
MIN: Oil Resistant Yellow PVC
- O-Ring: BUNA-N
- Ratings: 300V, 4A



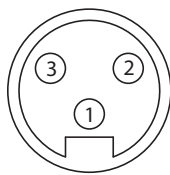


MIN Series Size I Receptacles

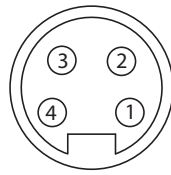
Receptacles..... 2-13
Accessories 14



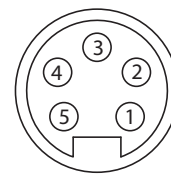
2 Pole



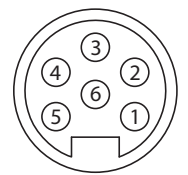
3 Pole



4 Pole



5 Pole



6 Pole



MIN Series Size I Receptacles

North American Color Code ❖ 1/2"-14 NPT Threads ❖ 16, 18, 22 AWG

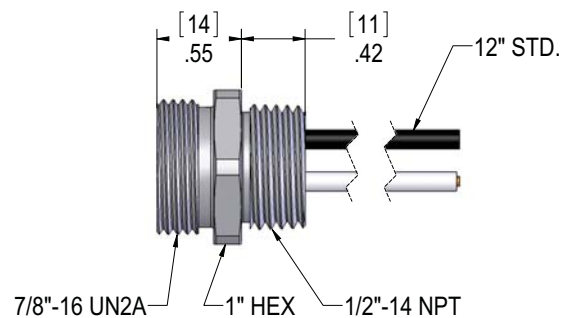
MIN Series Size I Receptacles

Face View of Male	# of Poles	Color Code	Rating	Wire AWG	Male Receptacles	Female Receptacles
	2	1-White 2-Black	600V 13A	16	MIN-2MR-1	MIN-2FR-1
			300V 10A	18	MIN-2MR-1-18	MIN-2FR-1-18
			300V 4A	22	MIN-2MR-5-22	MIN-2FR-1-22
	3	1-Green/Yellow 2-Black 3-White	600V 13A	16	MIN-3MR-1	MIN-3FR-1
			300V 10A	18	MIN-3MR-1-18	MIN-3FR-1-18
			300V 4A	22	MIN-3MR-5-22	MIN-3FR-1-22
	4	1-Black 2-White 3-Red 4-Green/Yellow	600V 10A	16	MIN-4MR-1	MIN-4FR-1
			300V 5.5A	18	MIN-4MR-1-18	MIN-4FR-1-18
			300V 4A	22	MIN-4MR-5-22	MIN-4FR-1-22
	5	1-White 2-Red 3-Green/Yellow 4-Orange 5-Black	600V 8A	16	MIN-5MR-1	MIN-5FR-1
			300V 5.5A	18	MIN-5MR-1-18	MIN-5FR-1-18
			300V 4A	22	MIN-5MR-5-22	MIN-5FR-1-22
	6	1-White 2-Red 3-Green/Yellow 4-Orange 5-Black 6-Blue	300V 5.5A	16	MIN-6MR-1	MIN-6FR-1
			300V 10A	18	MIN-6MR-1-18	MIN-6FR-1-18
			300V 4A	22	MIN-6MR-5-22	MIN-6FR-1-22

12" leads are standard (6" standard on male 22AWG). Longer lead lengths are available, please consult the factory for part numbers. For Stainless Steel or Nylon shell, add a "-SS" suffix for Stainless or "-N" for Nylon (e.g. MIN-3MR-1 becomes MIN-3MR-1-SS). O-Ring and Lock Nut are included on lengths of 18 inches or longer.

Specifications:

- Shell: Clear Anodized Aluminum
- Insulator: 105°C, Oil Resistant Yellow PVC
- Wire: 16 AWG: UL Style 1015, 600V
18 & 22 AWG: UL Style 1007/1569, 300V
- Contacts: Copper Alloy with Gold Plating
- Temperature: -40°C to 105°C (-40°F to +221°F)
- Protection: IP 67
- Approvals: U.S.: UL Recognized
Canada: C-UL Recognized



MIN Series Size I Receptacles

North American Automotive Color Code ❖ ANSI B93.55M-1981 ❖
1/2"-14 NPT Threads ❖ 16, 18, 22 AWG



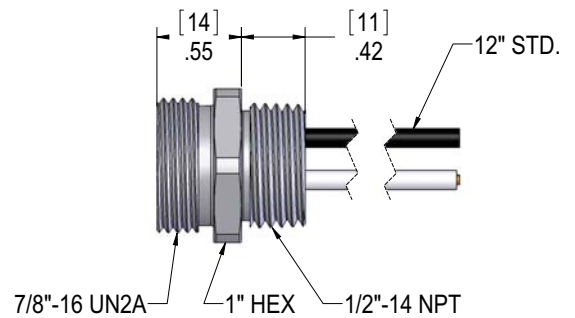
MIN Series Size I Receptacles

Face View of Male	# of Poles	Color Code	Rating	Wire AWG	Male Receptacles	Female Receptacles
	3	1-Green/Yellow 2-Red w/ Black 3-Red w/ White	600V 13A	16	MIN-3MR-1A	MIN-3FR-1A
			300V 10A	18	MIN-3MR-1A-18	MIN-3FR-1A-18
			300V 4A	22	MIN-3MR-5A-22	MIN-3FR-1A-22
	5	1-Red w/ White 2-Red 3-Green/Yellow 4-Red w/ Yellow 5-Red w/ Black	600V 8A	16	MIN-5MR-1A	MIN-5FR-1A
			300V 5.5A	18	MIN-5MR-1A-18	MIN-5FR-1A-18
			300V 4A	22	MIN-5MR-5A-22	MIN-5FR-1A-22

12" leads are standard (6" standard on male 22 AWG). Longer lead lengths are available, please consult the factory for part numbers. For Stainless Steel or Nylon shell, add a "-SS" suffix for Stainless or "-N" for Nylon (e.g. MIN-3MR-1 becomes MIN-3MR-1-SS). O-Ring and Lock Nut are included on lengths of 18 inches or longer.

Specifications:

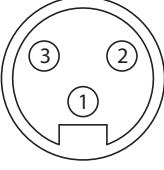
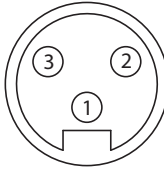
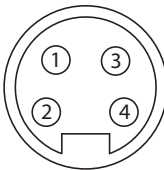
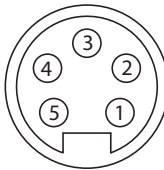
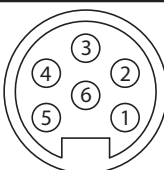
- Shell: Clear Anodized Aluminum
- Insulator: 105°C, Oil Resistant Yellow PVC
- Wire: 16 AWG: UL Style 1015, 600V
18 & 22 AWG: UL Style 1007/1569, 300V
- Contacts: Copper Alloy with Gold Plating
- Temperature: -40°C to 105°C (-40°F to +221°F)
- Protection: IP 67
- Approvals: U.S.: UL Recognized
Canada: C-UL Recognized



MIN Series Size I Receptacles

European Color Code ❖ 1/2"-14 NPT Threads ❖ 18, 22 AWG

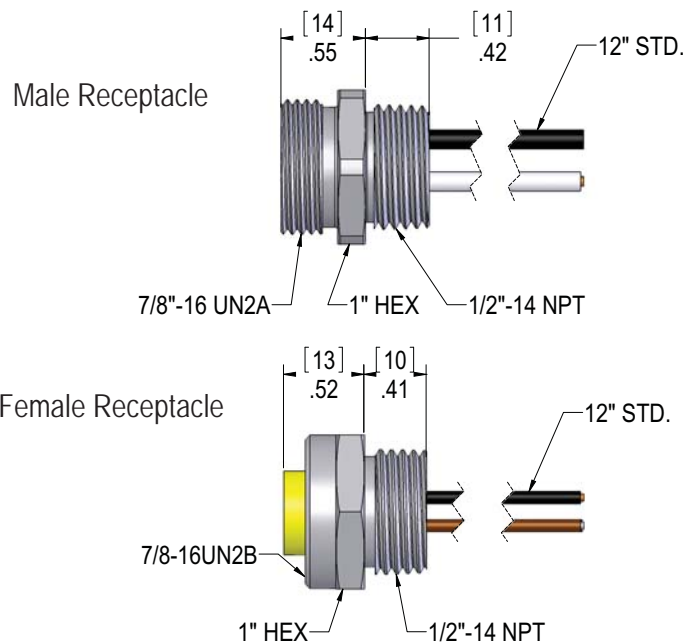
MIN Series Size I Receptacles

Face View of Male	# of Poles	Color Code	Rating	Wire AWG	Male Receptacles	Female Receptacles
	3	1-Black 2-Brown 3-Blue	300V 8A	18	MINC-3MR-1-18	MINC-3FR-1-18
			300V 4A	22	MINC-3MR-5-22	MINC-3FR-1-22
	3	1-Green/Yellow 2-Brown 3-Blue	300V 10A	18	MINE-3MR-1-18	MINE-3FR-1-18
			300V 4A	22	MINE-3MR-5-22	MINE-3FR-1-22
	4	1-Brown 2-White 3-Blue 4-Black	300V 5.5A	18	MINC-4MR-1-18	MINC-4FR-1-18
			300V 4A	22	MINC-4MR-5-22	MINC-4FR-1-22
	5	1-Black 2-Blue 3-Green/Yellow 4-Brown 5-White	300V 5.5A	18	MINE-5MR-1-18	MINE-5FR-1-18
			300V 4A	22	MINE-5MR-5-22	MINE-5FR-1-22
	6	1-Green 2-White 3-Blue 4-Gray 5-Yellow 6-Brown	300V 5.5A	18	MINE-6MR-1-18	MINE-6FR-1-18
			300V 4A	22	MINE-6MR-5-22	MINE-6FR-1-22

12" leads are standard (6" standard on male 22 AWG). Longer lead lengths are available, please consult the factory for part numbers. For Nylon male shell, add a "-N" suffix for Nylon (e.g. MINC-3MR-1-18 becomes MINC-3MR-1-18-N). Nylon shell is not available for female receptacles. For Stainless Steel male or female shell, add a "-SS" suffix. O-Ring and Lock Nut are included on lengths of 18 inches or longer.

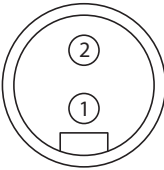
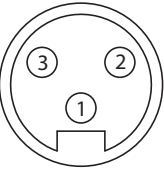
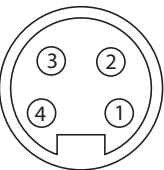
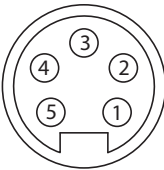
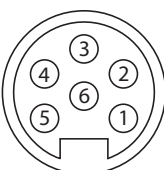
Specifications:

Shell: Clear Anodized Aluminum
 Insulator: 105°C, Oil Resistant Yellow PVC
 Wire: 18 & 22 AWG: UL Style 1007/1569, 300V
 Contacts: Copper Alloy with Gold Plating
 Temperature: -40°C to 105°C (-40°F to +221°F)
 Protection: IP 67
 Approvals: U.S.: UL Recognized
 Canada: C-UL Recognized



MIN Series Size I Receptacles

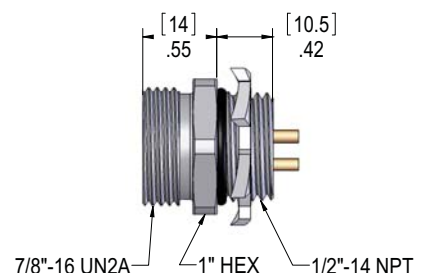
Solder Cup Receptacles ❖ 1/2" - 14 NPT Threads

Face View of Male	# of Poles	Wire AWG Rating	Male Receptacles	Female Receptacles
	2	16 AWG MAX 600V 13A MAX	MIN-2MR-SC	MIN-2FR-SC
	3	16 AWG MAX 600V 13A MAX	MIN-3MR-SC	MIN-3FR-SC
	4	16 AWG MAX 600V 10A MAX	MIN-4MR-SC	MIN-4FR-SC
	5	16 AWG MAX 600V 8A MAX	MIN-5MR-SC	MIN-5FR-SC
	6	16 AWG MAX 600V 8A MAX	MIN-6MR-SC	MIN-6FR-SC

Voltage and amperage ratings are wire dependent and are based on 600V 16 AWG wire. Wires with lower voltage ratings and smaller conductors will lower these ratings. Stainless Steel or Nylon shells and Metric or PG threads are available, please consult the factory for part numbers.

Specifications:

Shell: Clear Anodized Aluminum
 Insulator: 105°C, Oil Resistant Yellow PVC
 Contacts: Copper Alloy with Gold Plating
 O-Ring: BUNA-A
 Lock Nut: Zinc Plated Steel
 Temperature: -40°C to 105°C (-40°F to +221°F)
 Protection: IP 67





MIN Series Size I Receptacles: Right Angle

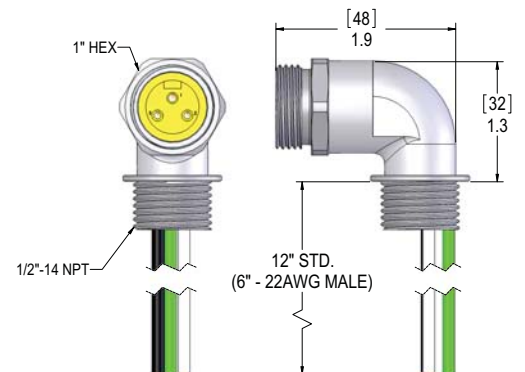
North American Color Code ❖ 1/2"-14 NPT Threads ❖ 14, 16, 18, 22 AWG

MIN Series Size I Receptacles

Face View of Male	# of Poles	Color Code	Rating	Wire AWG	Male Receptacles	Female Receptacles			
	2	1-White 2-Black	600V 13A	16	MIN-2MR-1-R	MIN-2FR-1-R			
			300V 10A	18	MIN-2MR-1-18-R	MIN-2FR-1-18-R			
			300V 4A	22	MIN-2MR-5-22-R	MIN-2FR-1-22-R			
	3	1-Green/Yellow 2-Black 3-White	600V 18A	14	MINH-3MR-1-R	MINH-3FR-1-R			
			600V 13A	16	MIN-3MR-1-R	MIN-3FR-1-R			
			300V 10A	18	MIN-3MR-1-18-R	MIN-3FR-1-18-R			
	3	1-Green/Yellow 2-Black 3-White	300V 4A	22	MIN-3MR-5-22-R	MIN-3FR-1-22-R			
				4	1-Black 2-White 3-Red 4-Green/Yellow	600V 15A	14	MINH-4MR-1-R	MINH-4FR-1-R
						600V 10A	16	MIN-4MR-1-R	MIN-4FR-1-R
300V 5.5A	18	MIN-4MR-1-18-R				MIN-4FR-1-18-R			
300V 4A	22	MIN-4MR-5-22-R				MIN-4FR-1-22-R			
	5	1-White 2-Red 3-Green/Yellow 4-Orange 5-Black	600V 8A	16	MIN-5MR-1-R	MIN-5FR-1-R			
			300V 5.5A	18	MIN-5MR-1-18-R	MIN-5FR-1-18-R			
			300V 4A	22	MIN-5MR-5-22-R	MIN-5FR-1-22-R			
	6	1-White 2-Red 3-Green/Yellow 4-Orange 5-Black 6-Blue	300V 8A	16	MIN-6MR-1-R	MIN-6FR-1-R			
			300V 5.5A	18	MIN-6MR-1-18-R	MIN-6FR-1-18-R			
			300V 4A	22	MIN-6MR-5-22-R	MIN-6FR-1-22-R			

Specifications:

Shell: Hex: Clear Anodized Aluminum, Elbow: Zinc Die Cast
 Insulator: 105°C, Oil Resistant Yellow PVC
 Wire: 16 AWG: UL Style 1015, 600V
 18 & 22 AWG: UL Style 1007/1569, 300V
 Contacts: Copper Alloy with Gold Plating
 Temperature: -40°C to 105°C (-40°F to +221°F)
 Protection: IP 67
 Approvals: U.S.: UL Recognized
 Canada: C-UL Recognized



MIN Series Size I Receptacles

North American Color Code ❖ European PG Threads ❖ 18, 22 AWG

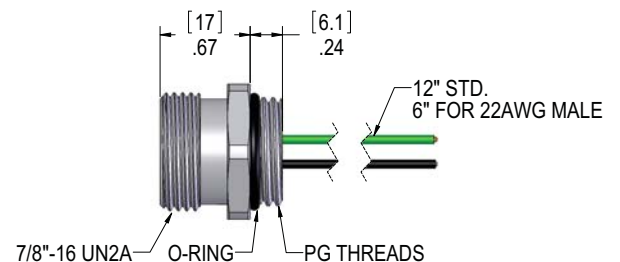


Face View of Male	# of Poles	Color Code	Rating	Wire AWG	Thread Style	Male Receptacles	Female Receptacles
	2	1-White 2-Black	300V 10A	18	PG 11 PG 13.5	MIN-2MR-1-18-PG11 MIN-2MR-1-18-PG13.5	MIN-2FR-1-18-PG11 MIN-2FR-1-18-PG13.5
			300V 4A	22	PG 11 PG 13.5	MIN-2MR-5-22-PG11 MIN-2MR-5-22-PG13.5	MIN-2FR-1-22-PG11 MIN-2FR-1-22-PG13.5
	3	1-Green/Yellow 2-Black 3-White	300V 10A	18	PG 11 PG 13.5	MIN-3MR-1-18-PG11 MIN-3MR-1-18-PG13.5	MIN-3FR-1-18-PG11 MIN-3FR-1-18-PG13.5
			300V 4A	22	PG 11 PG 13.5	MIN-3MR-5-22-PG11 MIN-3MR-5-22-PG13.5	MIN-3FR-1-22-PG11 MIN-3FR-1-22-PG13.5
	4	1-Black 2-White 3-Red 4-Green/Yellow	300V 5.5A	18	PG 11 PG 13.5	MIN-4MR-1-18-PG11 MIN-4MR-1-18-PG13.5	MIN-4FR-1-18-PG11 MIN-4FR-1-18-PG13.5
			300V 4A	22	PG 11 PG 13.5	MIN-4MR-5-22-PG11 MIN-4MR-5-22-PG13.5	MIN-4FR-1-22-PG11 MIN-4FR-1-22-PG13.5
	5	1-White 2-Red 3-Green/Yellow 4-Orange 5-Black	300V 5.5A	18	PG 11 PG 13.5	MIN-5MR-1-18-PG11 MIN-5MR-1-18-PG13.5	MIN-5FR-1-18-PG11 MIN-5FR-1-18-PG13.5
			300V 4A	22	PG 11 PG 13.5	MIN-5MR-5-22-PG11 MIN-5MR-5-22-PG13.5	MIN-5FR-1-22-PG11 MIN-5FR-1-22-PG13.5
	6	1-White 2-Red 3-Green/Yellow 4-Orange 5-Black 6-Blue	300V 5.5A	18	PG 11 PG 13.5	MIN-6MR-1-18-PG11 MIN-6MR-1-18-PG13.5	MIN-6FR-1-18-PG11 MIN-6FR-1-18-PG13.5
			300V 4A	22	PG 11 PG 13.5	MIN-6MR-5-22-PG11 MIN-6MR-5-22-PG13.5	MIN-6FR-1-22-PG11 MIN-6FR-1-22-PG13.5

12" leads are standard (6" standard on male 22 AWG). Longer lead lengths are available, please consult the factory for part numbers. Other color codes available, please consult the factory. Lock Nut is included on lengths of 18 inches or longer.

Specifications:

Shell: Clear Anodized Aluminum
 Insulator: 105°C, Oil Resistant Yellow PVC
 Wire: 18 & 22 AWG: UL Style 1007/1569, 300V
 Contacts: Copper Alloy with Gold Plating
 O-Ring: BUNA-N
 Temperature: -40°C to 105°C (-40°F to +221°F)
 Protection: IP 67
 Approvals: U.S.: UL Recognized
 Canada: C-UL Recognized



MIN Series Size I Receptacles



MIN Series Size I Receptacles

North American Color Code ❖ Metric Threads ❖ 18, 22 AWG

MIN Series Size I Receptacles

Face View of Male	# of Poles	Color Code	Rating	Wire AWG	Thread Style	Male Receptacles	Female Receptacles
	2	1-White 2-Black	300V 10A	18	M16 x 1.5 M20 x 1.5	MIN-2MR-1-18-M16 MIN-2MR-1-18-M20	MIN-2FR-1-18-M16 MIN-2FR-1-18-M20
			300V 4A	22	M16 x 1.5 M20 x 1.5	MIN-2MR-.5-22-M16 MIN-2MR-.5-22-M20	MIN-2FR-1-22-M16 MIN-2FR-1-22-M20
	3	1-Green/Yellow 2-Black 3-White	300V 10A	18	M16 x 1.5 M20 x 1.5	MIN-3MR-1-18-M16 MIN-3MR-1-18-M20	MIN-3FR-1-18-M16 MIN-3FR-1-18-M20
			300V 4A	22	M16 x 1.5 M20 x 1.5	MIN-3MR-.5-22-M16 MIN-3MR-.5-22-M20	MIN-3FR-1-22-M16 MIN-3FR-1-22-M20
	4	1-Black 2-White 3-Red 4-Green/Yellow	300V 5.5A	18	M16 x 1.5 M20 x 1.5	MIN-4MR-1-18-M16 MIN-4MR-1-18-M20	MIN-4FR-1-18-M16 MIN-4FR-1-18-M20
			300V 4A	22	M16 x 1.5 M20 x 1.5	MIN-4MR-.5-22-M16 MIN-4MR-.5-22-M20	MIN-4FR-1-22-M16 MIN-4FR-1-22-M20
	5	1-White 2-Red 3-Green/Yellow 4-Orange 5-Black	300V 5.5A	18	M16 x 1.5 M20 x 1.5	MIN-5MR-1-18-M16 MIN-5MR-1-18-M20	MIN-5FR-1-18-M16 MIN-5FR-1-18-M20
			300V 4A	22	M16 x 1.5 M20 x 1.5	MIN-5MR-.5-22-M16 MIN-5MR-.5-22-M20	MIN-5FR-1-22-M16 MIN-5FR-1-22-M20
	6	1-White 2-Red 3-Green/Yellow 4-Orange 5-Black 6-Blue	300V 5.5A	18	M16 x 1.5 M20 x 1.5	MIN-6MR-1-18-M16 MIN-6MR-1-18-M20	MIN-6FR-1-18-M16 MIN-6FR-1-18-M20
			300V 4A	22	M16 x 1.5 M20 x 1.5	MIN-6MR-.5-22-M16 MIN-6MR-.5-22-M20	MIN-6FR-1-22-M16 MIN-6FR-1-22-M20

12" leads are standard (6" standard on male 22 AWG). Longer lead lengths are available, please consult the factory for part numbers. Black anodized version available for M20, Stainless Steel version available for M16. Other color codes available, please consult the factory. Lock Nut is included on lengths of 18 inches or longer.

Specifications:

Shell: M16: Nickel Plated Brass
M20: Clear Anodized Aluminum

Insulator: 105°C, Oil Resistant Yellow PVC

Wire: 18 & 22 AWG: UL Style 1007/1569, 300V

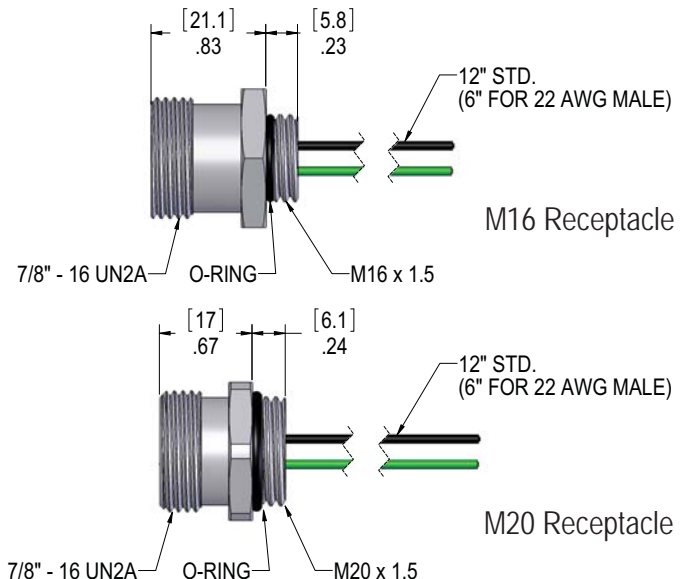
Contacts: Copper Alloy with Gold Plating

O-Ring: BUNA-N

Temperature: -40°C to 105°C (-40°F to +221°F)

Protection: IP 67

Approvals: U.S.: UL Recognized
Canada: C-UL Recognized



MIN Series Size I Receptacles

North American Color Code ❖ Back Mount ❖ 16, 18, 22 AWG



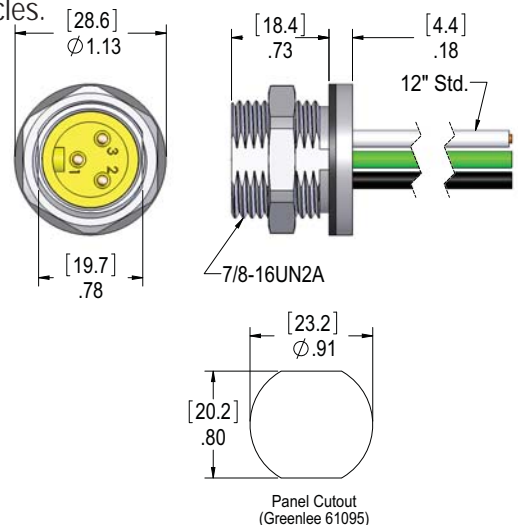
MIN Series Size I Receptacles

Face View of Male	# of Poles	Color Code	Rating	Wire AWG	Male Receptacles	Female Receptacles
	2	1-White 2-Black	600V 13A	16	MIN-2MR-1-BM	MIN-2FR-1-BM
			300V 10A	18	MIN-2MR-1-18-BM	MIN-2FR-1-18-BM
			300V 4A	22	MIN-2MR-5-22-BM	MIN-2FR-1-22-BM
	3	1-Green/Yellow 2-Black 3-White	600V 13A	16	MIN-3MR-1-BM	MIN-3FR-1-BM
			300V 10A	18	MIN-3MR-1-18-BM	MIN-3FR-1-18-BM
			300V 4A	22	MIN-3MR-5-22-BM	MIN-3FR-1-22-BM
	4	1-Black 2-White 3-Red 4-Green/Yellow	600V 10A	16	MIN-4MR-1-BM	MIN-4FR-1-BM
			300V 5.5A	18	MIN-4MR-1-18-BM	MIN-4FR-1-18-BM
			300V 4A	22	MIN-4MR-5-22-BM	MIN-4FR-1-22-BM
	5	1-White 2-Red 3-Green/Yellow 4-Orange 5-Black	600V 8A	16	MIN-5MR-1-BM	MIN-5FR-1-BM
			300V 5.5A	18	MIN-5MR-1-18-BM	MIN-5FR-1-18-BM
			300V 4A	22	MIN-5MR-5-22-BM	MIN-5FR-1-22-BM
	6	1-White 2-Red 3-Green/Yellow 4-Orange 5-Black 6-Blue	300V 8A	16	MIN-6MR-1-BM	MIN-6FR-1-BM
			300V 5.5A	18	MIN-6MR-1-18-BM	MIN-6FR-1-18-BM
			300V 4A	22	MIN-6MR-5-22-BM	MIN-6FR-1-22-BM

12" leads are standard (6" standard on male 22 AWG). Longer lead lengths are available, please consult the factory for part numbers. Gasket and Lock Nut are included on these receptacles.

Specifications:

Shell: Clear Anodized Aluminum
 Insulator: 105°C, Oil Resistant Yellow PVC
 Wire: 16 AWG; UL Style 1015, 600 V
 18 & 22 AWG: UL Style 1007/1569, 300V
 Contacts: Copper Alloy with Gold Plating
 Jam Nut: Clear Anodized Aluminum
 Gasket: NBR
 Temperature: -40°C to 105°C (-40°F to +221°F)
 Protection: IP 67
 Approvals: U.S.: UL Recognized
 Canada: C-UL Recognized





MIN Series Size I Receptacles

North American Color Code ❖ Panel Mount ❖ 16, 18, 22 AWG

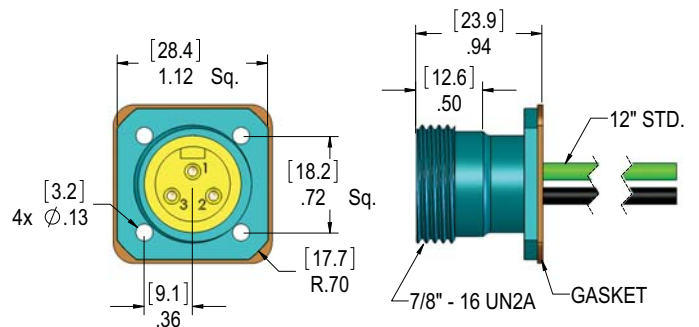
MIN Series Size I Receptacles

Face View of Male	# of Poles	Color Code	Rating	Wire AWG	Male Receptacles	Female Receptacles
	2	1-White 2-Black	600V 13A	16	MIN-2MR-1-PM	MIN-2FR-1-PM
			300V 10A	18	MIN-2MR-1-18-PM	MIN-2FR-1-18-PM
			300V 4A	22	MIN-2MR-5-22-PM	MIN-2FR-1-22-PM
	3	1-Green/Yellow 2-Black 3-White	600V 13A	16	MIN-3MR-1-PM	MIN-3FR-1-PM
			300V 10A	18	MIN-3MR-1-18-PM	MIN-3FR-1-18-PM
			300V 4A	22	MIN-3MR-5-22-PM	MIN-3FR-1-22-PM
	4	1-Black 2-White 3-Red 4-Green/Yellow	600V 10A	16	MIN-4MR-1-PM	MIN-4FR-1-PM
			300V 5.5A	18	MIN-4MR-1-18-PM	MIN-4FR-1-18-PM
			300V 4A	22	MIN-4MR-5-22-PM	MIN-4FR-1-22-PM
	5	1-White 2-Red 3-Green/Yellow 4-Orange 5-Black	600V 8A	16	MIN-5MR-1-PM	MIN-5FR-1-PM
			300V 5.5A	18	MIN-5MR-1-18-PM	MIN-5FR-1-18-PM
			300V 4A	22	MIN-5MR-5-22-PM	MIN-5FR-1-22-PM
	6	1-White 2-Red 3-Green/Yellow 4-Orange 5-Black 6-Blue	300V 8A	16	MIN-6MR-1-PM	MIN-6FR-1-PM
			300V 5.5A	18	MIN-6MR-1-18-PM	MIN-6FR-1-18-PM
			300V 4A	22	MIN-6MR-5-22-PM	MIN-6FR-1-22-PM

12" leads are standard (6" standard on male 22 AWG). Longer lead lengths are available, please consult the factory for part numbers. Other color codes available, please consult the factory.

Specifications:

Shell: Blue Anodized Aluminum
 Insulator: 105°C, Oil Resistant Yellow PVC
 Wire: 16 AWG: UL Style 1015, 600V
 18 & 22 AWG: UL Style 1007/1569, 300V
 Contacts: Copper Alloy with Gold Plating
 Gasket: BUNA-N
 Temperature: -40°C to 105°C (-40°F to +221°F)
 Protection: IP 67
 Approvals: U.S.: UL Recognized
 Canada: C-UL Recognized



MIN Series Size I Receptacles

Male - Female Through Panel Receptacles

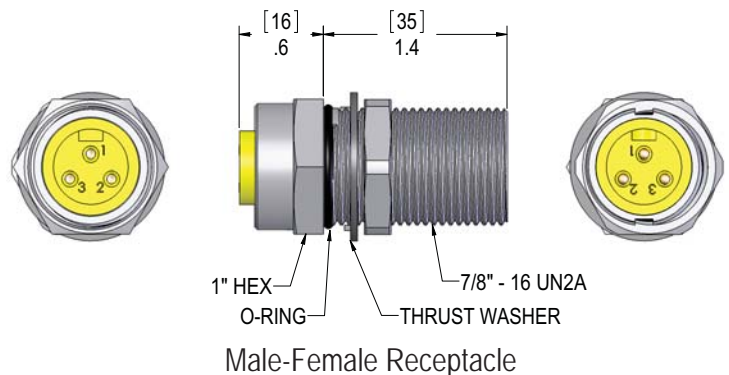


Face View of Male	# of Poles	Rating	Male-Female Receptacles	Wiring	Face View of Female
	2	600V 13A	MIN-2MFR-TM	1 to 1 2 to 2	
	3	600V 13A	MIN-3MFR-TM	1 to 1 2 to 2 3 to 3	
	4	600V 10A	MIN-4MFR-TM	1 to 1 2 to 2 3 to 3 4 to 4	
	5	600V 8A	MIN-5MFR-TM	1 to 1 2 to 2 3 to 3 4 to 4 5 to 5	
	6	600V 8A	MIN-6MFR-TM	1 to 1 2 to 2 3 to 3 4 to 4 5 to 5 6 to 6	

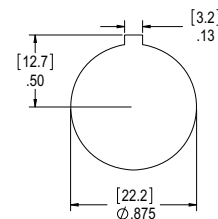
MIN Series Size I Receptacles

Specifications:

Shell: Clear Anodized Aluminum
 Insulator: 105°C, Oil Resistant Yellow PVC
 Contacts: Copper Alloy with Gold Plating
 Jam Nut: Clear Anodized Aluminum
 Thrust Washer: Zinc Die-Cast
 Sealing Washer: BUNA-N
 Temperature: -40°C to 105°C (-40°F to +221°F)
 Protection: IP 67



Male-Female Receptacle



Cut-out



MIN Series Size I Receptacles

PCB Mount ❖ Back Mount ❖ Male ❖ Female ❖ Female (Female Threads)

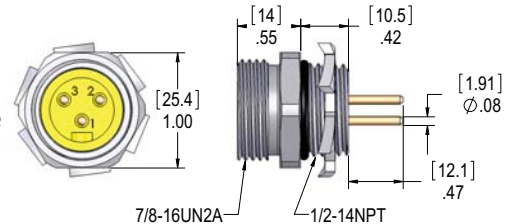
MIN Series Size I Receptacles

Face View of Male	# of Poles	Rating	Male Receptacles	Female Receptacles	Pin Out
	2	600V 13A	MIN-2MR-PCB MIN-2MR-BM-PCB	MIN-2FR-PCB MIN-2FR-BM-PCB MIN-2FRF-PCB	
	3	600V 13A	MIN-3MR-PCB MIN-3MR-BM-PCB	MIN-3FR-PCB MIN-3FR-BM-PCB MIN-3FRF-PCB	
	4	600V 10A	MIN-4MR-PCB MIN-4MR-BM-PCB	MIN-4FR-PCB MIN-4FR-BM-PCB MIN-4FRF-PCB	
	5	600V 8A	MIN-5MR-PCB MIN-5MR-BM-PCB	MIN-5FR-PCB MIN-5FR-BM-PCB MIN-5FRF-PCB	
	6	600V 8A	MIN-6MR-PCB MIN-6MR-BM-PCB	MIN-6FR-PCB MIN-6FR-BM-PCB MIN-6FRF-PCB	

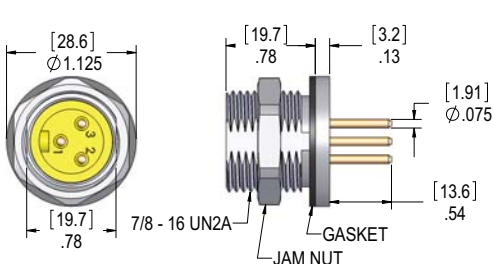
Specifications:

Shell: Clear Anodized Aluminum
 Insulator: 105°C, Oil Resistant Yellow PVC
 Contacts: Copper Alloy with Gold Plating
 Jam Nut: Clear Anodized Aluminum
 Gasket: Neoprene
 Temperature: -40°C to 105°C (-40°F to +221°F)
 Protection: IP 67

Male Receptacle

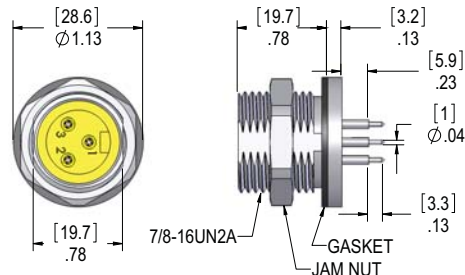


For panel cutout for back mount receptacles see page B-9.

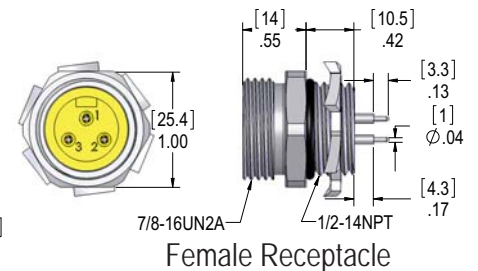


Male Receptacle
Back Mount

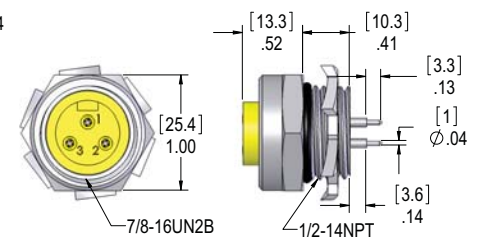
B-12



Female Receptacle
Back Mount



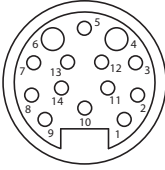
Female Receptacle



Female Receptacle (Female Threads)

MIN Series Size I Receptacles

1/2"-14 NPT Threads ❖ Metric Threads ❖ 18, 22 AWG

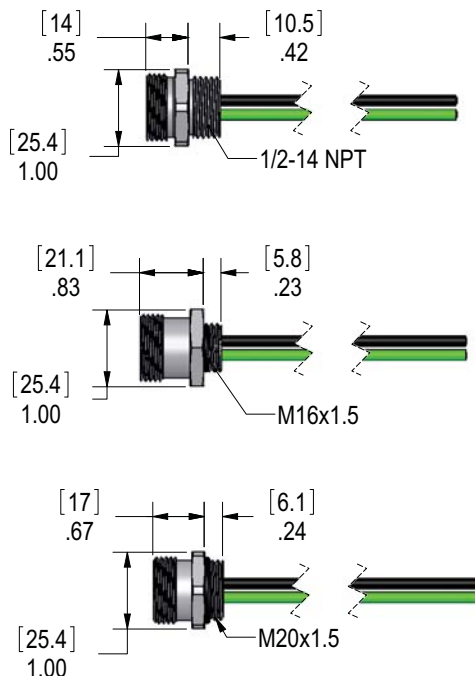
Face View of Male	# of Poles	Color Code	Wire AWG Rating	Thread Type	Length	Male Receptacles	Female Receptacles
	14	1-Gray w/ Pink	18/2	1/2" NPT	12"	MIN-14MR-1	MIN-14FR-1
		2-White w/ Green			1M	MIN-14MR-1M	MIN-14FR-1M
		3-White w/ Yellow			2M	MIN-14MR-2M	MIN-14FR-2M
		4-Brown*	300V	M16 x 1.5	12"	MIN-14MR-1-M16	MIN-14FR-1-M16
		5-Brown w/ Yellow			8A	MIN-14MR-1M-M16	MIN-14FR-1M-M16
		6-Blue*			---	MIN-14MR-2M-M16	MIN-14FR-2M-M16
		7-Yellow	22/12	M20 X 1.5	12"	MIN-14MR-1-M20	MIN-14FR-1-M20
		8-Green			1M	MIN-14MR-1M-M20	MIN-14FR-1M-M20
		9-Pink			2M	MIN-14MR-2M-M20	MIN-14FR-2M-M20
		10-White	300V	M20 X 1.5	12"	MIN-14MR-1-M20	MIN-14FR-1-M20
		11-Red w/ Blue			1M	MIN-14MR-1M-M20	MIN-14FR-1M-M20
		12-Brown w/ Green			2A	MIN-14MR-2M-M20	MIN-14FR-2M-M20
		13-Gray					
		14-Red					

*Note: Pins 4 and 6 have 18 AWG wires. Other lengths are available, please consult the factory.

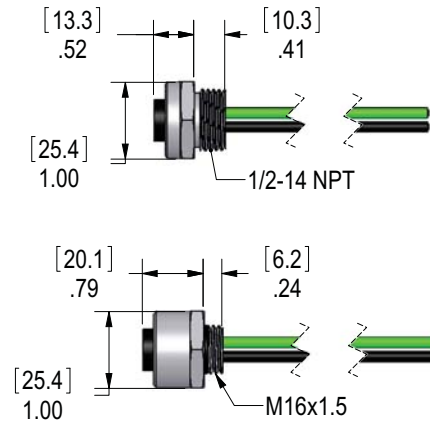
Specifications:

Shell: Clear Anodized Aluminum
 Insert: Black Polyamide
 Wire: 18 & 22 AWG: UL Style 1007/1569, 300V
 Contacts: Copper Alloy with Gold Plating
 Seal: NBR
 O-Ring: Metric Receptacles Only: BUNA-N
 Temperature: -40°C to 80°C (-40°F to +176°F)
 Protection: IP 67

Male Receptacle



Female Receptacle





MIN Series Size I Accessories

Jam Nuts: NPT, PG & Metric Threads

Jam Nuts: NPT, PG & Metric Threads					
Part #	Thread	Figure	A	Thickness	Material
212M	1/2" NPT	2	28.5 mm	3.3 mm	Steel Zinc Plate
211M	PG 11	1	21 mm	3.0 mm	Brass Nickel Plate
213M	PG 13.5	1	21 mm	3.0 mm	Brass Nickel Plate
2M16M	M16 x 1.5	1	19 mm	2.8 mm	Brass Nickel Plate
2M20M	M20 x 1.5	1	24 mm	3.0 mm	Brass Nickel Plate

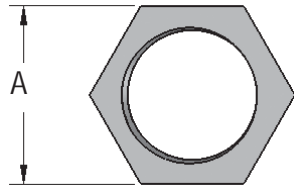


Figure 1

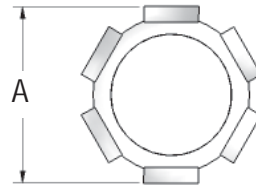


Figure 2

MIN Series Size I Receptacles



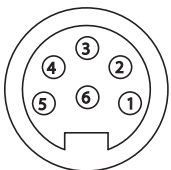
MIN Series Size II Cordsets

Cordsets 2-4

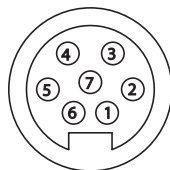
Accessories 5-6



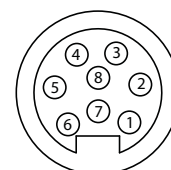
MIN Series Size II Cordsets



6 Pole



7 Pole



8 Pole



MIN Series Size II Cordsets

North American Color Code ❖ PVC Cable ❖ 18 AWG 300V Plugs

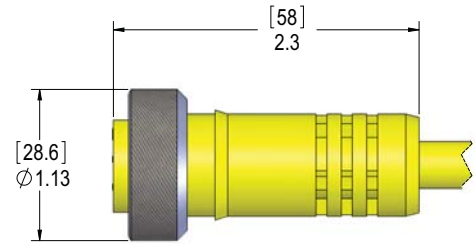
MIN Series Size II Cordsets

Face View of Male	# of Poles	Color Code	Wire AWG Rating	Length	Female Plugs		Male Plugs
					Straight	Right Angle	Straight
	6	1-Orange	18 300V 5.5A	3 FT	MIN-6FPX2-3	MIN-6FPX2-3-R	MIN-6MPX2-3
		2-Blue		6 FT	MIN-6FPX2-6	MIN-6FPX2-6-R	MIN-6MPX2-6
		3-Black		12 FT	MIN-6FPX2-12	MIN-6FPX2-12-R	MIN-6MPX2-12
		4-White		20 FT	MIN-6FPX2-20	MIN-6FPX2-20-R	MIN-6MPX2-20
		5-Red		30 FT	MIN-6FPX2-30	MIN-6FPX2-30-R	MIN-6MPX2-30
		6-Green/Yellow					
	7	1-White w/ Black	18 300V 5A	3 FT	MIN-7FPX-3	MIN-7FPX-3-R	MIN-7MPX-3
		2-Black		6 FT	MIN-7FPX-6	MIN-7FPX-6-R	MIN-7MPX-6
		3-White		12 FT	MIN-7FPX-12	MIN-7FPX-12-R	MIN-7MPX-12
		4-Red		20 FT	MIN-7FPX-20	MIN-7FPX-20-R	MIN-7MPX-20
		5-Orange		30 FT	MIN-7FPX-30	MIN-7FPX-30-R	MIN-7MPX-30
		6-Blue					
	7-Green/Yellow						
	8	1-Orange	18 300V 5A	3 FT	MIN-8FPX-3	MIN-8FPX-3-R	MIN-8MPX-3
		2-Blue		6 FT	MIN-8FPX-6	MIN-8FPX-6-R	MIN-8MPX-6
		3-White w/ Black		12 FT	MIN-8FPX-12	MIN-8FPX-12-R	MIN-8MPX-12
		4-Black		20 FT	MIN-8FPX-20	MIN-8FPX-20-R	MIN-8MPX-20
		5-White		30 FT	MIN-8FPX-30	MIN-8FPX-30-R	MIN-8MPX-30
		6-Red					
	7-Green/Yellow						
	8-Red w/ Black						

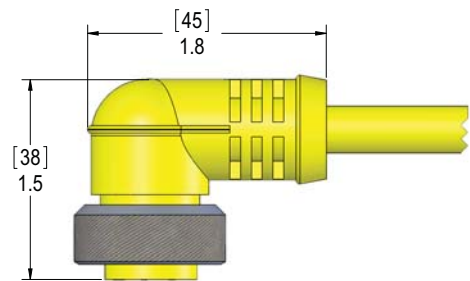
For Stainless Steel coupling nut on straight cordsets, add a "-SS" suffix (e.g. MIN-6FPX2-6 becomes MIN-6FPX2-6-SS). Please consult the factory for Stainless Steel right angle cordsets. 16 AWG 600V cable is available for the 6 pole versions, please consult factory.

Specifications:

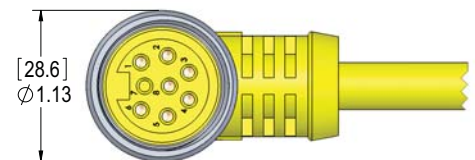
- Body: Oil Resistant Yellow PVC
- Contacts: Copper Alloy with Gold Plating
- Coupling Nut: Clear Anodized Aluminum
- Cable: Oil Resistant Yellow PVC Jacket,
Rated at 300V, 105°C, Non-Wicking,
Non-Hygroscopic, AWM Style 2661
- Conductors: 18 AWG Bare Copper, PVC Insulated
- Temperature: -40°C to +105°C (-40°F to +221°F)
- Protection: IP 67
- Approvals: U.S.: UL Recognized
Canada: C-UL Recognized



Straight Plug



Right Angle Plug



MIN Series Size II Cordsets

North American Color Code ❖ Polyurethane Cable ❖ 18 AWG 300V Plugs



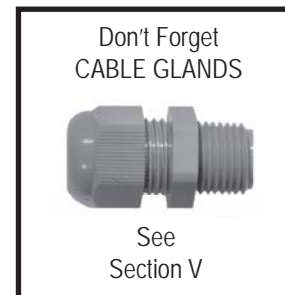
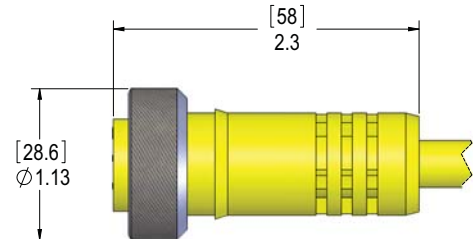
MIN Series Size II Cordsets

Face View of Male	# of Poles	Color Code	Wire AWG Rating	Length	Female Plugs	Male Plugs
	6	1-Orange 2-Blue 3-Black 4-White 5-Red 6-Green/Yellow	18 300V 5.5A	3 FT 6 FT 12 FT 20 FT 30 FT	MINP-6FPX2-3 MINP-6FPX2-6 MINP-6FPX2-12 MINP-6FPX2-20 MINP-6FPX2-30	MINP-6MPX2-3 MINP-6MPX2-6 MINP-6MPX2-12 MINP-6MPX2-20 MINP-6MPX2-30
	7	1-White w/ Black 2-Black 3-White 4-Red 5-Orange 6-Blue 7-Green/Yellow	18 300V 5A	3 FT 6 FT 12 FT 20 FT 30 FT	MINP-7FPX-3 MINP-7FPX-6 MINP-7FPX-12 MINP-7FPX-20 MINP-7FPX-30	MINP-7MPX-3 MINP-7MPX-6 MINP-7MPX-12 MINP-7MPX-20 MINP-7MPX-30
	8	1-Orange 2-Blue 3-White w/ Black 4-Black 5-White 6-Red 7-Green/Yellow 8-Red w/ Black	18 300V 5A	3 FT 6 FT 12 FT 20 FT 30 FT	MINP-8FPX-3 MINP-8FPX-6 MINP-8FPX-12 MINP-8FPX-20 MINP-8FPX-30	MINP-8MPX-3 MINP-8MPX-6 MINP-8MPX-12 MINP-8MPX-20 MINP-8MPX-30

For Stainless Steel coupling nut, add a "-SS" suffix (e.g. MINP-7FPX-6 becomes MINP-7FPX-6-SS).

Specifications:

Body: Oil Resistant Yellow PUR
Contacts: Copper Alloy with Gold Plating
Coupling Nut: Clear Anodized Aluminum
Cable: Oil Resistant Yellow PUR Jacket,
 Rated at 300V, 80°C, Non-Wicking,
 Non-Hygroscopic, AWM Style 20233
Conductors: 18 AWG Bare Copper, PVC Insulated
Temperature: -40°C to +105°C (-40°F to +221°F)
Protection: IP 67
Approvals: U.S.: UL Recognized
 Canada: C-UL Recognized



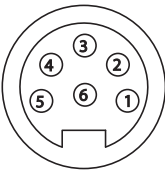
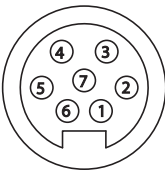
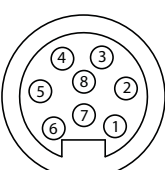


MIN Series Size II

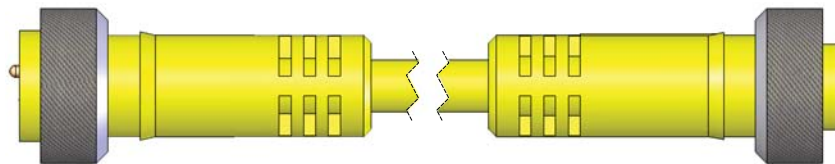
Male-Female Extension Cables ❖ PVC Cable ❖ 18 AWG 300V Plugs

Adapter/couplings that allow user to mate a male plug to a female plug are necessary for all of the MIN Series Connectors. This is due to the use of female coupling nuts on both the male and female plugs. When mating to a receptacle, the adapter is not necessary. See accessory items (page C-6).

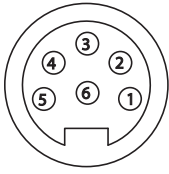
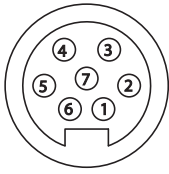
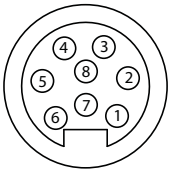
MIN Series Size II Cordsets

Extension Cables				
Face View	# of Poles	Wire AWG Rating	Length	Part Number
	6	18 300 V	3 FT 6 FT 12 FT 20 FT 30 FT	MIN-6MFPX2-3 MIN-6MFPX2-6 MIN-6MFPX2-12 MIN-6MFPX2-20 MIN-6MFPX2-30
	7	18 300 V	3 FT 6 FT 12 FT 20 FT 30 FT	MIN-7MFPX-3 MIN-7MFPX-6 MIN-7MFPX-12 MIN-7MFPX-20 MIN-7MFPX-30
	8	18 300 V	3 FT 6 FT 12 FT 20 FT 30 FT	MIN-8MFPX-3 MIN-8MFPX-6 MIN-8MFPX-12 MIN-8MFPX-20 MIN-8MFPX-30

Available options: for extension cables with right angle male and/or female ends, please consult the factory.



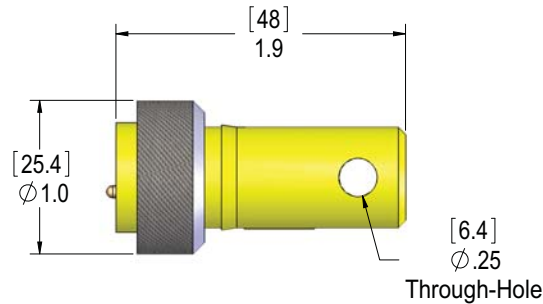
MIN Series Size II Dummy Plug

Dummy Plugs			
Face View	# of Poles	Jumpers	Male Plugs
	6	1 to 2 4 to 5	MIN-6MP2-DP1
	7	1 to 2 3 to 4 5 to 6	MIN-7MP-DP1
	8	1 to 2 3 to 4	MIN-8MP-DP1

For Stainless Steel locking ring, add a "-SS" suffix for Stainless (e.g. MIN-6MP2-DP1 becomes MIN-6MP2-DP1-SS). Alternate wiring is available, please consult the factory.

Specifications:

- Body: Oil Resistant Yellow PVC
- Contacts: Copper Alloy with Gold Plating
- Coupling Nut: Clear Anodized Aluminum
- Jumpers: 18 AWG
- Temperature: -40°C to +105°C (-40°F to +221°F)
- Protection: IP 67





MIN Series Size II Accessories

Caps ❖ Adapter Coupling

MIN Series Size II Cordsets

Closure Caps			
Part Number: MIN-2-CAP (For covering receptacles & plugs with male threads)		Part Number: MIN-2-PLUG (For covering receptacles & plugs with female threads)	
0.170" Diameter Mounting Hole for Securing Chain. Materials: Clear Anodized Aluminum with Nickel Plated Brass Chain and Hardware.			

Plastic Closure Cap			
Part Number: MIN-2-CAP-PASW (For covering receptacles & plugs with male threads)		Side View Face View	
Tether mounts under receptacles with 1/2" NPT or M20 mounting threads and also serves as a gasket. For male plugs with male threads, tether will attach to the plug. Material: NBR			

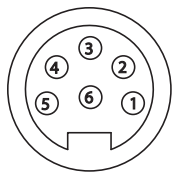
MIN Series II Adapter Coupling			
Part Number: MIN-XMP2-AD (For connecting male & female plugs with female couplings)		Material	Clear Anodized Aluminum



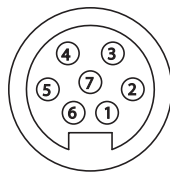
MIN Series Size II Receptacles

Receptacles..... 8-11

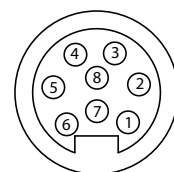
Accessories 12



6 Pole



7 Pole



8 Pole



MIN Series Size II Receptacles

North American Color Code ❖ 1/2"-14 NPT Threads ❖ 18, 22 AWG

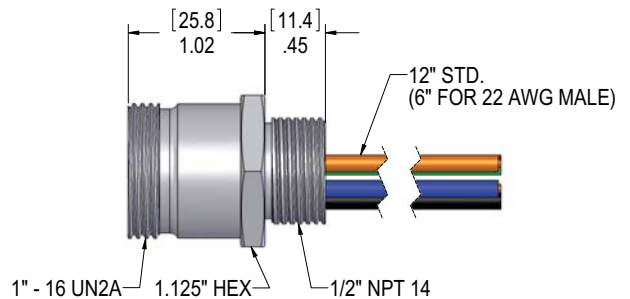
MIN Series Size II Receptacles

Face View of Male	# of Poles	Color Code	Rating	Wire AWG	Male Receptacles	Female Receptacles
	6	1-Orange 2-Blue 3-Black 4-White 5-Red 6-Green/Yellow	300V 5.5A	18	MIN-6MR2-1-18	MIN-6FR2-1-18
			300V 3A	22	MIN-6MR2-.5-22	MIN-6FR2-1-22
	7	1-White w/ Black 2-Black 3-White 4-Red 5-Orange 6-Blue 7-Green/Yellow	300V 5A	18	MIN-7MR2-1-18	MIN-7FR2-1-18
			300V 3A	22	MIN-7MR2-.5-22	MIN-7FR2-1-22
	8	1-Orange 2-Blue 3-White w/ Black 4-Black 5-White 6-Red 7-Green/Yellow 8-Red w/ Black	300V 5A	18	MIN-8MR2-1-18	MIN-8FR2-1-18
			300V 3A	22	MIN-8MR2-.5-22	MIN-8FR2-1-22

12" leads are standard (6" standard on male 22 AWG). Longer lead lengths are available, please consult the factory for part numbers. For Stainless Steel versions, add a "-SS" suffix (e.g. MIN-7MR2-1-18 becomes MIN-7MR2-1-18-SS). O-Ring and Lock Nut are included on lengths of 18 inches or longer.

Specifications:

- Shell: Clear Anodized Aluminum
- Insulator: 105° C, Oil Resistant Yellow PVC
- Wire: 18 & 22 AWG: UL Style 1007/1569, 300V
- Contacts: Copper Alloy with Gold Plating
- Temperature: -40°C to +105°C (-40°F to +221°F)
- Protection: IP 67
- Approvals: U.S.: UL Recognized
Canada: C-UL Recognized



MIN Series Size II Receptacles

North American Color Code ❖ European PG Threads ❖ 18, 22 AWG

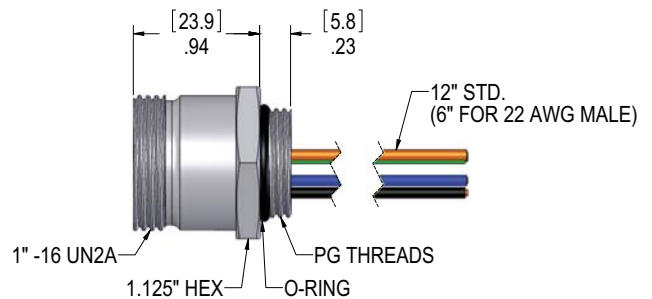


Face View of Male	# of Poles	Color Code	Rating	Wire AWG	Threads	Male Receptacles	Female Receptacles
	6	1-Orange 2-Blue 3-Black 4-White 5-Red 6-Green/Yellow	300V 5.5A	18	PG 13.5 PG 16	MIN-6MR2-1-18-PG13.5 MIN-6MR2-1-18-PG16	MIN-6FR2-1-18-PG13.5 MIN-6FR2-1-18-PG16
			300V 3A	22	PG 13.5 PG 16	MIN-6MR2-.5-22-PG13.5 MIN-6MR2-.5-22-PG16	MIN-6FR2-1-22-PG13.5 MIN-6FR2-1-22-PG16
	7	1-White w/ Black 2-Black 3-White 4-Red 5-Orange 6-Blue 7-Green/Yellow	300V 5A	18	PG 13.5 PG 16	MIN-7MR2-1-18-PG13.5 MIN-7MR2-1-18-PG16	MIN-7FR2-1-18-PG13.5 MIN-7FR2-1-18-PG16
			300V 3A	22	PG 13.5 PG 16	MIN-7MR2-.5-22-PG13.5 MIN-7MR2-.5-22-PG16	MIN-7FR2-1-22-PG13.5 MIN-7FR2-1-22-PG16
	8	1-Orange 2-Blue 3-White w/ Black 4-Black 5-White 6-Red 7-Green/Yellow 8-Red w/ Black	300V 5A	18	PG 13.5 PG 16	MIN-8MR2-1-18-PG13.5 MIN-8MR2-1-18-PG16	MIN-8FR2-1-18-PG13.5 MIN-8FR2-1-18-PG16
			300V 3A	22	PG 13.5 PG 16	MIN-8MR2-.5-22-PG13.5 MIN-8MR2-.5-22-PG16	MIN-8FR2-1-22-PG13.5 MIN-8FR2-1-22-PG16

12" leads are standard (6" standard on male 22 AWG). Longer lead lengths are available, please consult the factory for part numbers. Black anodized version available for PG 13.5 style. Other color codes available, please consult the factory. Lock Nut is included on lengths of 18 inches or longer.

Specifications:

Shell:	Clear Anodized Aluminum
Insulator:	105° C, Oil Resistant Yellow PVC
Wire:	18 & 22 AWG:UL Style 1007/1569, 300V
Contacts:	Copper Alloy with Gold Plating
O-Ring:	BUNA-N
Temperature:	-40°C to +105°C (-40°F to +221°F)
Protection:	IP 67
Approvals:	U.S.: UL Recognized Canada: C-UL Recognized





MIN Series Size II Receptacles

North American Color Code ❖ Metric Threads ❖ 18, 22 AWG

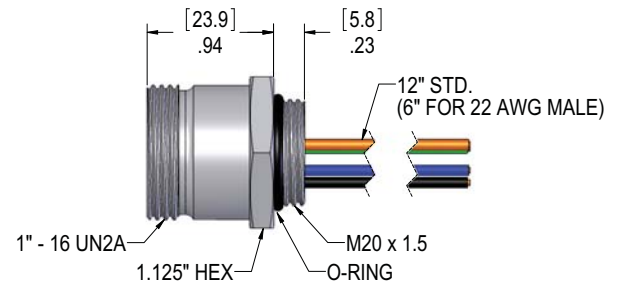
MIN Series Size II Receptacles

Face View of Male	# of Poles	Color Code	Rating	Wire AWG	Male Receptacles	Female Receptacles
	6	1-Orange 2-Blue 3-Black 4-White 5-Red 6-Green/Yellow	300V 5.5A	18	MIN-6MR2-1-18-M20	MIN-6FR2-1-18-M20
			300V 3A	22	MIN-6MR2-.5-22-M20	MIN-6FR2-1-22-M20
	7	1-White w/ Black 2-Black 3-White 4-Red 5-Orange 6-Blue 7-Green/Yellow	300V 5A	18	MIN-7MR2-1-18-M20	MIN-7FR2-1-18-M20
			300V 3A	22	MIN-7MR2-.5-22-M20	MIN-7FR2-1-22-M20
	8	1-Orange 2-Blue 3-White w/ Black 4-Black 5-White 6-Red 7-Green/Yellow 8-Red w/ Black	300V 5A	18	MIN-8MR2-1-18-M20	MIN-8FR2-1-18-M20
			300V 3A	22	MIN-8MR2-.5-22-M20	MIN-8FR2-1-22-M20

12" leads are standard (6" standard on male 22 AWG). Longer lead lengths are available, please consult the factory for part numbers. Black anodized and Stainless Steel versions are available. Other color codes available, please consult the factory. Lock Nut is included on lengths of 18 inches or longer.

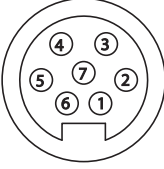
Specifications:

- Shell: Clear Anodized Aluminum
- Insulator: 105° C Oil Resistant Yellow PVC
- Wire: 18 & 22 AWG: UL Style 1007/1569, 300V
- Contacts: Copper Alloy with Gold Plating
- O-Ring: BUNA-N
- Temperature: -40°C to +105°C (-40°F to +221°F)
- Protection: IP 67
- Approvals: U.S.: UL Recognized
Canada: C-UL Recognized



MIN Series Size II Receptacles

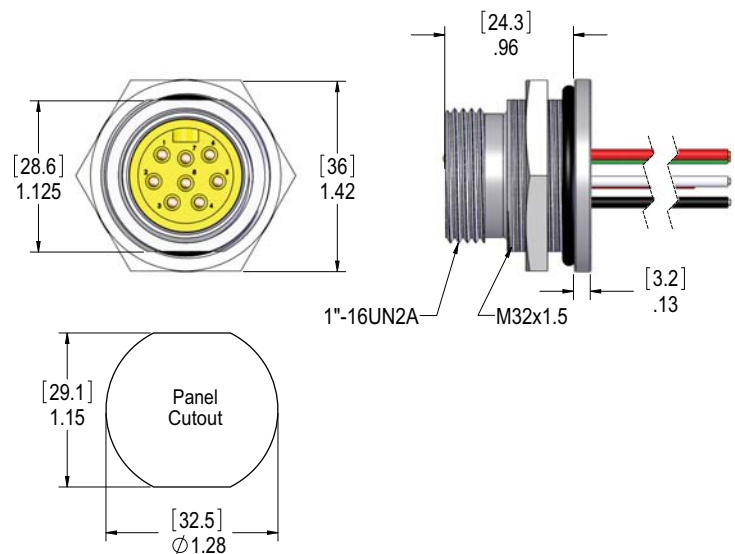
North American Color Code ❖ Back Mount ❖ 18 & 22 AWG

Face View of Male	# of Poles	Color Code	Rating	Wire AWG	Male Receptacles	Female Receptacles
	6	1-Orange 2-Blue 3-Black 4-White 5-Red 6-Green/Yellow	300V 5.5A	18	MIN-6MR2-1-18-BM	MIN-6FR2-1-18-BM
			300V 3A	22	MIN-6MR2-.5-22-BM	MIN-6FR2-1-22-BM
	7	1-White w/ Black 2-Black 3-White 4-Red 5-Orange 6-Blue 7-Green/Yellow	300V 5A	18	MIN-7MR2-1-18-BM	MIN-7FR2-1-18-BM
			300V 3A	22	MIN-7MR2-.5-22-BM	MIN-7FR2-1-22-BM
	8	1-Orange 2-Blue 3-White w/ Black 4-Black 5-White 6-Red 7-Green/Yellow 8-Red w/ Black	300V 5A	18	MIN-8MR2-1-18-BM	MIN-8FR2-1-18-BM
			300V 3A	22	MIN-8MR2-.5-22-BM	MIN-8FR2-1-22-BM

12" leads are standard (6" standard on male 22 AWG). Longer lead lengths are available, please consult the factory for part numbers. For Stainless Steel versions, add a "-SS" suffix (e.g. MIN-7MR2-1-18-BM becomes MIN-7MR2-1-18-BM-SS)

Specifications:

Shell: Clear Anodized Aluminum or Stainless Steel
 Insulator: 105° C, Oil Resistant Yellow PVC
 Wire: 18 & 22 AWG
 UL Style 1007/1569, 300V
 Contacts: Copper Alloy with Gold Plating
 Temperature: -40°C to +105°C (-40°F to +221°F)
 Protection: IP 67
 Approvals: U.S.: UL Recognized
 Canada: C-UL Recognized



MIN Series Size II Receptacles



MIN Series Size II Accessories

Jam Nuts: NPT, PG & Metric Threads

Jam Nuts: NPT, PG & Metric Threads					
Part #	Thread	Figure	A	Thickness	Material
212M	1/2" NPT	2	28.5 mm	3.3 mm	Steel Zinc Plate
213M	PG 13.5	1	21 mm	3.0 mm	Brass Nickel Plate
216M	PG 16	1	26 mm	3.0 mm	Brass Nickel Plate
2M20M	M20 x 1.5	1	24 mm	3.0 mm	Brass Nickel Plate

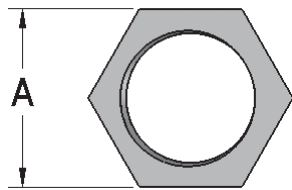


Figure 1

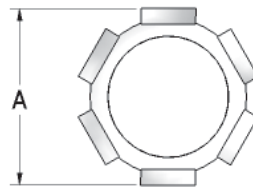


Figure 2

MIN Series Size II Receptacles



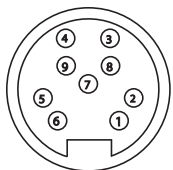
MIN Series Size III Cordsets

Cordsets 2-5

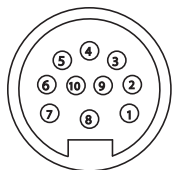
Accessories 6-7



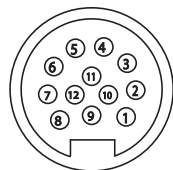
MIN Series Size III Cordsets



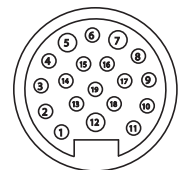
9 Pole



10 Pole



12 Pole



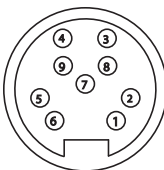
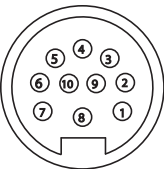
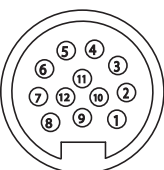
19 Pole



MIN Series Size III Cordsets

North American Color Code ❖ PVC Cable ❖ 18 AWG 300V Plugs

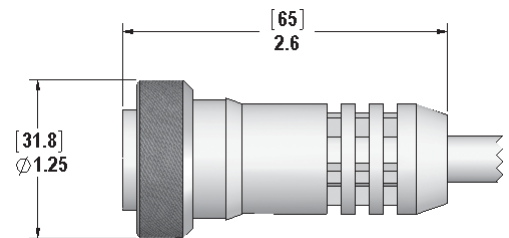
MIN Series Size III Cordsets

Face View of Male	# of Poles	Color Code	Wire AWG Rating	Length	Female Plugs	Male Plugs
	9	1-Orange 2-Blue 3-Red w/ Black 4-Green w/ Black 5-White 6-Red 7-Green/Yellow 8-White w/ Black 9-Black	18 300V 4A	3 FT 6 FT 12 FT 20 FT 30 FT	MIN-9FPX-3 MIN-9FPX-6 MIN-9FPX-12 MIN-9FPX-20 MIN-9FPX-30	MIN-9MPX-3 MIN-9MPX-6 MIN-9MPX-12 MIN-9MPX-20 MIN-9MPX-30
	10	1-Orange 2-Blue 3-White w/ Black 4-Red w/ Black 5-Green w/ Black 6-Orange w/ Black 7-Red 8-Green/Yellow 9-Black 10-White	18 300V 4A	3 FT 6 FT 12 FT 20 FT 30 FT 50 FT	MIN-10FPX-3 MIN-10FPX-6 MIN-10FPX-12 MIN-10FPX-20 MIN-10FPX-30 MIN-10FPX-50	MIN-10MPX-3 MIN-10MPX-6 MIN-10MPX-12 MIN-10MPX-20 MIN-10MPX-30
	12	1-Orange 2-Blue 3-White w/ Black 4-Red w/ Black 5-Green w/ Black 6-Orange w/ Black 7-Blue w/ Black 8-Black w/ White 9-Green/Yellow 10-Red 11-White 12-Black	18 300V 4A	3 FT 6 FT 12 FT 20 FT 30 FT 50 FT	MIN-12FPX-3 MIN-12FPX-6 MIN-12FPX-12 MIN-12FPX-20 MIN-12FPX-30 MIN-12FPX-50	MIN-12MPX-3 MIN-12MPX-6 MIN-12MPX-12 MIN-12MPX-20 MIN-12MPX-30

For Stainless Steel coupling nut, add a "-SS" suffix (e.g. MIN-9FPX-6 becomes MIN-9FPX-6-SS).

Specifications:

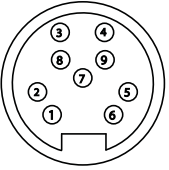
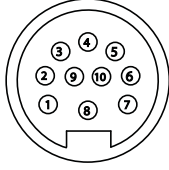
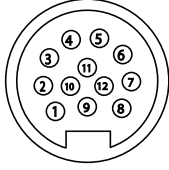
- Body: Oil Resistant Yellow PVC
- Contacts: Copper Alloy with Gold Plating
- Coupling Nut: Clear Anodized Aluminum
- Cable: Oil Resistant Yellow PVC Jacket,
Rated at 300V, 105°C, Non-Wicking,
Non-Hygroscopic, AWM Style 2661
- Conductors: 18 AWG Bare Copper, PVC Insulated
- Temperature: -40°C to +105°C (-40°F to +221°F)
- Protection: IP 67
- Approvals: U.S.: UL Recognized
Canada: C-UL Recognized



MIN Series Size III Cordsets

North American Color Code ❖ PVC Cable ❖ 18 AWG 300V Female Right Angle

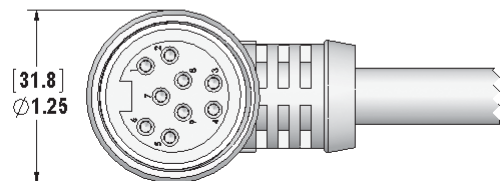
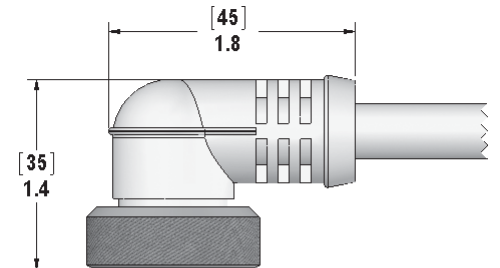


Face View of Female	# of Poles	Color Code	Wire AWG Rating	Length	Female Plugs Right Angle
	9	1-Orange 2-Blue 3-Red w/ Black 4-Green w/ Black 5-White 6-Red 7-Green/Yellow 8-White w/ Black 9-Black	18 300V 4A	3 FT 6 FT 12 FT 20 FT 30 FT	MIN-9FPX-3-R MIN-9FPX-6-R MIN-9FPX-12-R MIN-9FPX-20-R MIN-9FPX-30-R
	10	1-Orange 2-Blue 3-White w/ Black 4-Red w/ Black 5-Green w/ Black 6-Orange w/ Black 7-Red 8-Green/Yellow 9-Black 10-White	18 300V 4A	3 FT 6 FT 12 FT 20 FT 30 FT	MIN-10FPX-3-R MIN-10FPX-6-R MIN-10FPX-12-R MIN-10FPX-20-R MIN-10FPX-30-R
	12	1-Orange 2-Blue 3-White w/ Black 4-Red w/ Black 5-Green w/ Black 6-Orange w/ Black 7-Blue w/ Black 8-Black w/ White 9-Green/Yellow 10-Red 11-White 12-Black	18 300V 4A	3 FT 6 FT 12 FT 20 FT 30 FT	MIN-12FPX-3-R MIN-12FPX-6-R MIN-12FPX-12-R MIN-12FPX-20-R MIN-12FPX-30-R

For Stainless Steel coupling nut, please consult the factory.

Specifications:

- Body: Oil Resistant Yellow PVC
- Contacts: Copper Alloy with Gold Plating
- Coupling Nut: Clear Anodized Aluminum
- Cable: Oil Resistant Yellow PVC Jacket,
Rated at 300V, 105°C, Non-Wicking,
Non-Hygroscopic, AWM Style 2661
- Conductors: 18 AWG Bare Copper, PVC Insulated
- Temperature: -40°C to +105°C (-40°F to +221°F)
- Protection: IP 67
- Approvals: U.S.: UL Recognized
Canada: C-UL Recognized



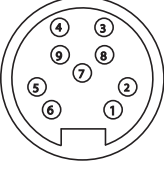
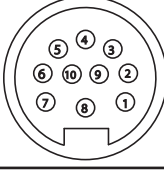
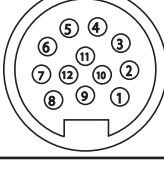
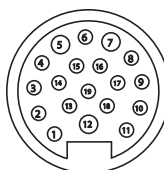
MIN Series Size III Cordsets



MIN Series Size III Cordsets

North American Color Code ❖ Polyurethane Cable ❖ 18, 22 AWG 300V Plugs

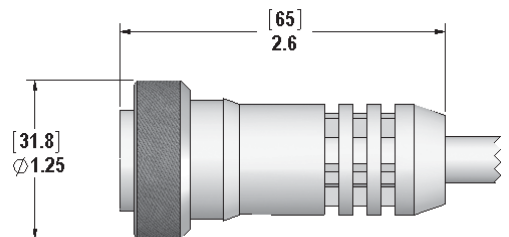
MIN Series Size III Cordsets

Face View of Male	# of Poles	Color Code		Wire AWG Rating	Length	Female Plugs	Male Plugs
	9	1-Orange 2-Blue 3-Red w/ Black 4-Green w/ Black 5-White	6-Red 7-Green/Yellow 8-White w/ Black 9-Black	18 300V 4A	3 FT 6 FT 12 FT 20 FT 30 FT	MINP-9FPX-3 MINP-9FPX-6 MINP-9FPX-12 MINP-9FPX-20 MINP-9FPX-30	MINP-9MPX-3 MINP-9MPX-6 MINP-9MPX-12 MINP-9MPX-20 MINP-9MPX-30
	10	1-Orange 2-Blue 3-White w/ Black 4-Red w/ Black 5-Green w/ Black	6-Orange w/ Black 7-Red 8-Green/Yellow 9-Black 10-White	18 300V 4A	3 FT 6 FT 12 FT 20 FT 30 FT	MINP-10FPX-3 MINP-10FPX-6 MINP-10FPX-12 MINP-10FPX-20 MINP-10FPX-30	MINP-10MPX-3 MINP-10MPX-6 MINP-10MPX-12 MINP-10MPX-20 MINP-10MPX-30
	12	1-Orange 2-Blue 3-White w/ Black 4-Red w/ Black 5-Green w/ Black 6-Orange w/ Black	7-Blue w/ Black 8-Black w/ White 9-Green/Yellow 10-Red 11-White 12-Black	18 300V 4A	3 FT 6 FT 12 FT 20 FT 30 FT	MINP-12FPX-3 MINP-12FPX-6 MINP-12FPX-12 MINP-12FPX-20 MINP-12FPX-30	MINP-12MPX-3 MINP-12MPX-6 MINP-12MPX-12 MINP-12MPX-20 MINP-12MPX-30
	19	1-Violet 2-Red 3-Gray 4-Red w/ Blue 5-Blue 6-Green 7-Brown 8-White w/ Green 9-White w/ Yellow 10-White w/ Gray	11-Black 12-Green/Yellow 13-Yellow w/ Brown 14-Brown w/ Green 15-White 16-Yellow 17-Pink 18-Gray w/ Brown 19-Gray w/ Pink	18/3 300V 8A ----- 22/16 300V 3A	 2 M* 4 M* 6 M* 10 M*	MINP-19FP-2M MINP-19FP-4M MINP-19FP-6M MINP-19FP-10M	MINP-19MP-2M MINP-19MP-4M MINP-19MP-6M MINP-19MP-10M

* 19 Pole Plugs have a foil shield and are measured in meters. Pins 5, 7, and 12 have 18 AWG wires.
For Stainless Steel coupling nut, add a "-SS" suffix (e.g. MINP-9FPX-6 becomes MINP-9FPX-6-SS).

Specifications:

- Body: Oil Resistant Yellow PUR
- Contacts: Copper Alloy with Gold Plating
- Coupling Nut: Clear Anodized Aluminum
- Cable: Oil Resistant Yellow PUR Jacket,
Rated at 300V, 80°C, Non-Wicking,
Non-Hygroscopic, AWM Style 20233
19 Pole Plug has a foil shield and black jacket
- Conductors: 18 AWG Bare Copper, PVC Insulated
22 AWG Bare Copper, PVC Insulated
- Temperature: -40°C to +80°C (-40°F to +176°F)
- Protection: IP 67
- Approvals: U.S.: UL Recognized
Canada: C-UL Recognized
19 Pole: U.S.: UL Pending
Canada: C-UL Pending

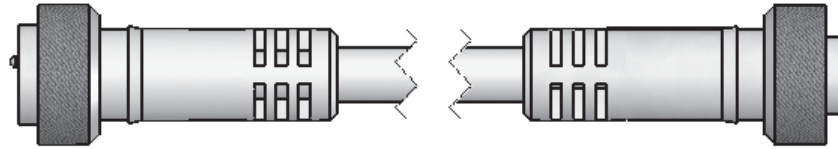


MIN Series Size III Extension Cables

Male-Female Extension Cables ❖ PVC & PUR Cable ❖ 18, 22 AWG 300V Plugs



Adapter/Couplings that allow user to mate a male plug to a female plug are necessary for all of the MIN Series Connectors. This is due to the use of female coupling nuts on both the male and female plugs. When mating to a receptacle, the adapter is not necessary. See accessory items on page D-7. For the adapter coupling, order MIN-XMP3-AD.



MIN Series Size III Corsets

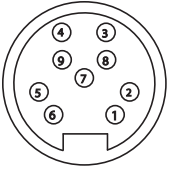
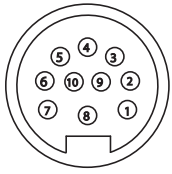
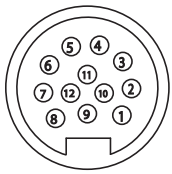
Face View of Male	# of Poles	Wire AWG	Length	Part Numbers	
				PVC	PUR
	9	18 300V 4A	3 FT 6 FT 12 FT 20 FT 30 FT	MIN-9MFPX-3 MIN-9MFPX-6 MIN-9MFPX-12 MIN-9MFPX-20 MIN-9MFPX-30	MINP-9MFPX-3 MINP-9MFPX-6 MINP-9MFPX-12 MINP-9MFPX-20 MINP-9MFPX-30
	10	18 300V 4A	3 FT 6 FT 12 FT 20 FT 30 FT	MIN-10MFPX-3 MIN-10MFPX-6 MIN-10MFPX-12 MIN-10MFPX-20 MIN-10MFPX-30	MINP-10MFPX-3 MINP-10MFPX-6 MINP-10MFPX-12 MINP-10MFPX-20 MINP-10MFPX-30
	12	18 300V 4A	3 FT 6 FT 12 FT 20 FT 30 FT	MIN-12MFPX-3 MIN-12MFPX-6 MIN-12MFPX-12 MIN-12MFPX-20 MIN-12MFPX-30	MINP-12MFPX-3 MINP-12MFPX-6 MINP-12MFPX-12 MINP-12MFPX-20 MINP-12MFPX-30
	19	18/3 300V 8A ----- 22/16 300V 3A	2 M 4 M 6 M 10 M		MINP-19MFP-2M MINP-19MFP-4M MINP-19MFP-6M MINP-19MFP-10M

* 19 Pole Plugs have a foil shield and are measured in meters. For available options for extension cables with right angle male and/or female ends or for stainless steel couplings, please consult the factory.

MIN Series Size III Field Wireable Plugs

18-22 AWG 600V MAX

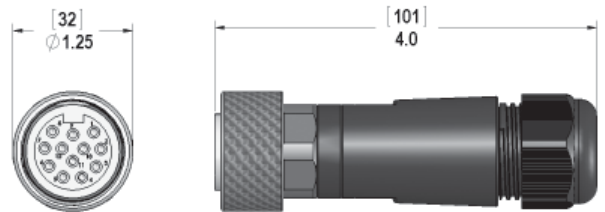
MIN Series Size III Cordsets

Face View of Male	# of Poles	Wire AWG Rating	Cable O.D. Range	Female Straight (Female Threads)	Male Straight (Female Threads)	Male Straight (Male Threads)
	9	18-22 AWG 600V MAX 4A MAX	5-13 mm 8-17 mm	MIN-9FP-FW MIN-9FP-FWX	MIN-9MP-FW MIN-9MP-FWX	MIN-9MPM-FW MIN-9MPM-FWX
	10	18-22 AWG 600V MAX 4A MAX	5-13 mm 8-17 mm	MIN-10FP-FW MIN-10FP-FWX	MIN-10MP-FW MIN-10MP-FWX	MIN-10MPM-FW MIN-10MPM-FWX
	12	18-22 AWG 600V MAX 4A MAX	5-13 mm 8-17 mm	MIN-12FP-FW MIN-12FP-FWX	MIN-12MP-FW MIN-12MP-FWX	MIN-12MPM-FW MIN-12MPM-FWX

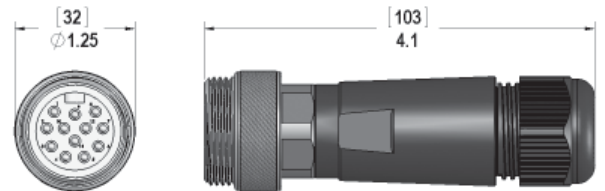
Connection via solder cup terminal. Voltage and amperage ratings are cable dependent and are based on 600V 18 AWG cable. Cables with lower voltage ratings and smaller conductors will lower these ratings.

Specifications:

- Body: Polyamide & Polybutylene Terephthalate (PBT)
- Contacts: Copper Alloy with Gold Plating
- O-Ring: BUNA-N
- Coupling Nut: Black Anodized Aluminum
- Insert: PVC
- Temperature: -40°C to +90°C (-40°F to +194°F)
- Protection: IP 67 MAX
- Approvals: UL Pending



Male or Female Plug with Female Threads



Male Plug with Male Threads

MIN Series Size III Accessories

Accessories



Closure Caps			
Part Number: MIN-3-CAP (For covering receptacles & plugs with male threads)		Part Number: MIN-3-PLUG (For covering receptacles & plugs with female threads)	
0.170" Diameter Mounting Hole for Securing Chain. Materials: Clear Anodized Aluminum with Nickel Plated Brass Chain and Hardware.			
Part Number: MIN-3-CAP-SS (For covering receptacles & plugs with male threads)		Part Number: MIN-3-PLUG-SS (For covering receptacles & plugs with female threads)	
0.170" Diameter Mounting Hole for Securing Chain. Materials: Stainless Steel with Nickel Plated Brass Chain and Hardware.			
MIN Series III Adapter Coupling			
Part Number: MIN-XMP3-AD (For connecting male & female plugs with female couplings)		Material	Clear Anodized Aluminum
Part Number: MIN-XMP3-AD-SS (For connecting male & female plugs with female couplings)		Material	Stainless Steel

MIN Series Size III Corsets





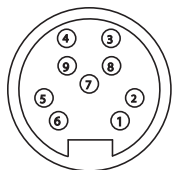
MIN Series Size III Receptacles

Receptacles..... 10-13

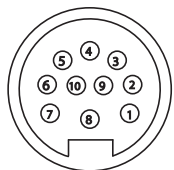
Accessories 14



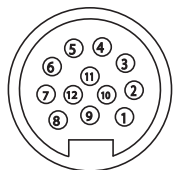
MIN Series Size III Receptacles



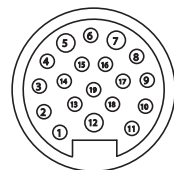
9 Pole



10 Pole



12 Pole



19 Pole



MIN Series Size III Receptacles

North American Color Code ❖ 1/2"-14 NPT Threads ❖ 18, 22 AWG 300V

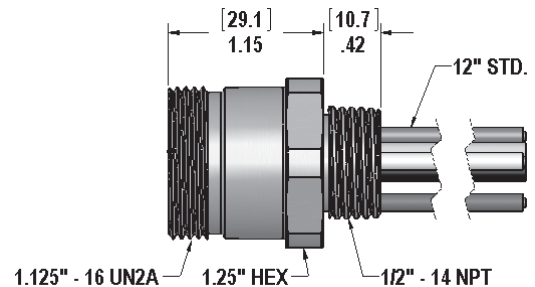
MIN Series Size III Receptacles

Face View of Male	# of Poles	Color Code	Wire AWG Rating	Male Receptacles	Female Receptacles	
	9	1-Orange 2-Blue 3-Red w/ Black 4-Green w/ Black 5-White	6-Red 7-Green/Yellow 8-White w/ Black 9-Black	18 300V 4A	MIN-9MR-1-18	MIN-9FR-1-18
				22 300V 3A	MIN-9MR-1-22	MIN-9FR-1-22
	10	1-Orange 2-Blue 3-White w/ Black 4-Red w/ Black 5-Green w/ Black	6-Orange w/ Black 7-Red 8-Green/Yellow 9-Black 10-White	18 300V 4A	MIN-10MR-1-18	MIN-10FR-1-18
				22 300V 3A	MIN-10MR-1-22	MIN-10FR-1-22
	12	1-Orange 2-Blue 3-White w/ Black 4-Red w/ Black 5-Green w/ Black 6-Orange w/ Black	7-Blue w/ Black 8-Black w/ White 9-Green/Yellow 10-Red 11-White 12-Black	18 300V 4A	MIN-12MR-1-18	MIN-12FR-1-18
				22 300V 3A	MIN-12MR-1-22	MIN-12FR-1-22
	19	1-Violet 2-Red 3-Gray 4-Red w/ Blue 5-Blue 6-Green 7-Brown 8-White w/ Green 9-White w/ Yellow 10-White w/ Gray	11-Black 12-Green/Yellow 13-Yellow w/ Brown 14-Brown w/ Green 15-White 16-Yellow 17-Pink 18-Gray w/ Brown 19-Gray w/ Pink	18/3 300V 8A & 22/16 300V 3A	MIN-19MR-1	MIN-19FR-1

12" leads are standard. Longer lead lengths are available, please consult the factory for part numbers. For Stainless Steel version, add a "SS" suffix (e.g. MIN-9MR-1-18-SS). Other wire gauges and color codes are available, please consult the factory. Note: For the 19 Pin, Pins 5, 7, and 12 have 18 AWG wires. O-Ring and Lock Nut are included on lengths of 18 inches or longer.

Specifications:

Shell: Clear Anodized Aluminum
 Insulator: 105° C, Oil Resistant Yellow PVC
 Wires: 18 & 22 AWG: UL Style 1007/1569, 300V
 Contacts: Copper Alloy with Gold Plating
 O-Ring: BUNA-N
 Temperature: -40°C to +105°C (-40°F to +221°F)
 Protection: IP 67
 Approvals: U.S.: UL Recognized
 Canada: C-UL Recognized
 19 Pole: U.S.: UL Pending
 Canada: C-UL Pending



MIN Series Size III Receptacles

North American Color Code ❖ European PG Threads ❖ 18, 22 AWG 300V

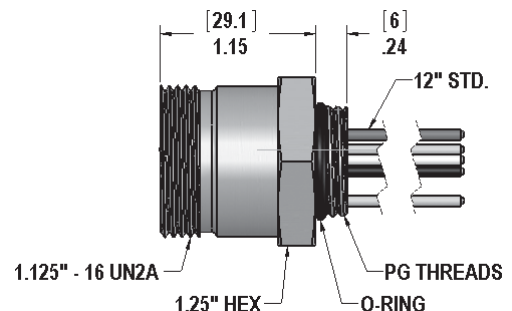


Face View of Male	# of Poles	Color Code	Wire AWG Rating	Threads	Male Receptacles	Female Receptacles	
	9	1-Orange 2-Blue 3-Red w/ Black 4-Green w/ Black 5-White	6-Red 7-Green/Yellow 8-White w/ Black 9-Black	18 300V 4A	PG 13.5 PG 16	MIN-9MR-1-18-PG13.5 MIN-9MR-1-18-PG16	MIN-9FR-1-18-PG13.5 MIN-9FR-1-18-PG16
				22 300V 3A	PG 13.5 PG 16	MIN-9MR-1-22-PG13.5 MIN-9MR-1-22-PG16	MIN-9FR-1-22-PG13.5 MIN-9FR-1-22-PG16
	10	1-Orange 2-Blue 3-White w/ Black 4-Red w/ Black 5-Green w/ Black	6-Orange w/ Black 7-Red 8-Green/Yellow 9-Black 10-White	18 300V 4A	PG 13.5 PG 16	MIN-10MR-1-18-PG13.5 MIN-10MR-1-18-PG16	MIN-10FR-1-18-PG13.5 MIN-10FR-1-18-PG16
				22 300V 3A	PG 13.5 PG 16	MIN-10MR-1-22-PG13.5 MIN-10MR-1-22-PG16	MIN-10FR-1-22-PG13.5 MIN-10FR-1-22-PG16
	12	1-Orange 2-Blue 3-White w/ Black 4-Red w/ Black 5-Green w/ Black 6-Orange w/ Black	7-Blue w/ Black 8-Black w/ White 9-Green/Yellow 10-Red 11-White 12-Black	18 300V 4A	PG 13.5 PG 16	MIN-12MR-1-18-PG13.5 MIN-12MR-1-18-PG16	MIN-12FR-1-18-PG13.5 MIN-12FR-1-18-PG16
				22 300V 3A	PG 13.5 PG 16	MIN-12MR-1-22-PG13.5 MIN-12MR-1-22-PG16	MIN-12FR-1-22-PG13.5 MIN-12FR-1-22-PG16
	19	1-Violet 2-Red 3-Gray 4-Red w/ Blue 5-Blue 6-Green 7-Brown 8-White w/ Green 9-White w/ Yellow 10-White w/ Gray	11-Black 12-Green/Yellow 13-Yellow w/ Brown 14-Brown w/ Green 15-White 16-Yellow 17-Pink 18-Gray w/ Brown 19-Gray w/ Pink	18/3 300V 8A & 22/16 300V 3A	PG 13.5 PG 16	MIN-19MR-1-PG13.5 MIN-19MR-1-PG16	MIN-19FR-1-PG13.5 MIN-19FR-1-PG16

12" leads are standard. Longer lead lengths are available, please consult the factory for part numbers. Other wire gauges and color codes are available, please consult the factory. Note: For the 19 Pin, Pins 5, 7, and 12 have 18 AWG wires. Lock Nut is included on lengths of 18 inches or longer.

Specifications:

Shell:	Clear Anodized Aluminum
Insulator:	105° C, Oil Resistant Yellow PVC
Wires:	18 & 22 AWG: UL Style 1007/1569, 300V
Contacts:	Copper Alloy with Gold Plating
O-Ring:	BUNA-N
Temperature:	-40°C to +105°C (-40°F to +221°F)
Protection:	IP 67
Approvals:	U.S.: UL Recognized Canada: C-UL Recognized 19 Pole: U.S.: UL Pending Canada: C-UL Pending



MIN Series Size III Receptacles



MIN Series Size III Receptacles

North American Color Code ❖ Metric Threads ❖ 18, 22 AWG 300V

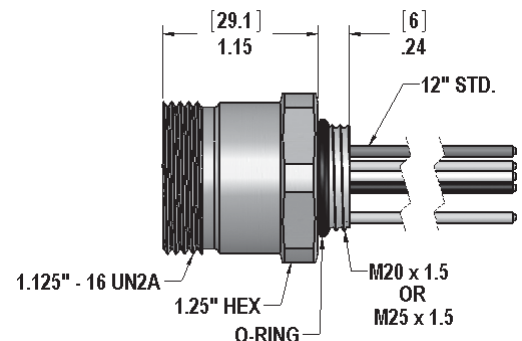
MIN Series Size III Receptacles

Face View of Male	# of Poles	Color Code	Wire AWG Rating	Threads	Male Receptacles	Female Receptacles	
	9	1-Orange 2-Blue 3-Red w/ Black 4-Green w/ Black 5-White	6-Red 7-Green/Yellow 8-White w/ Black 9-Black	18 300V 4A	M20 x 1.5 M25 x 1.5	MIN-9MR-1-18-M20 MIN-9MR-1-18-M25	MIN-9FR-1-18-M20 MIN-9FR-1-18-M25
				22 300V 3A	M20 x 1.5 M25 x 1.5	MIN-9MR-1-22-M20 MIN-9MR-1-22-M25	MIN-9FR-1-22-M20 MIN-9FR-1-22-M25
	10	1-Orange 2-Blue 3-White w/ Black 4-Red w/ Black 5-Green w/ Black	6-Orange w/ Black 7-Red 8-Green/Yellow 9-Black 10-White	18 300V 4A	M20 x 1.5 M25 x 1.5	MIN-10MR-1-18-M20 MIN-10MR-1-18-M25	MIN-10FR-1-18-M20 MIN-10FR-1-18-M25
				22 300V 3A	M20 x 1.5 M25 x 1.5	MIN-10MR-1-22-M20 MIN-10MR-1-22-M25	MIN-10FR-1-22-M20 MIN-10FR-1-22-M25
	12	1-Orange 2-Blue 3-White w/ Black 4-Red w/ Black 5-Green w/ Black 6-Orange w/ Black	7-Blue w/ Black 8-Black w/ White 9-Green/Yellow 10-Red 11-White 12-Black	18 300V 4A	M20 x 1.5 M25 x 1.5	MIN-12MR-1-18-M20 MIN-12MR-1-18-M25	MIN-12FR-1-18-M20 MIN-12FR-1-18-M25
				22 300V 3A	M20 x 1.5 M25 x 1.5	MIN-12MR-1-22-M20 MIN-12MR-1-22-M25	MIN-12FR-1-22-M20 MIN-12FR-1-22-M25
	19	1-Violet 2-Red 3-Gray 4-Red w/ Blue 5-Blue 6-Green 7-Brown 8-White w/ Green 9-White w/ Yellow 10-White w/ Gray	11-Black 12-Green/Yellow 13-Yellow w/ Brown 14-Brown w/ Green 15-White 16-Yellow 17-Pink 18-Gray w/ Brown 19-Gray w/ Pink	18/3 300V 8A & 22/16 300V 3A	M20 x 1.5 M25 x 1.5	MIN-19MR-1-M20 MIN-19MR-1-M25	MIN-19FR-1-M20 MIN-19FR-1-M25

12" leads are standard. Longer lead lengths are available, please consult the factory for part numbers. Other wire gauges and color codes are available, please consult the factory. Note: For the 19 Pin, Pins 5, 7, and 12 have 18 AWG wires. Lock Nut is included on lengths of 18 inches or longer. The M25 is available in Stainless Steel, please consult the factory for part number.

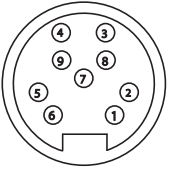
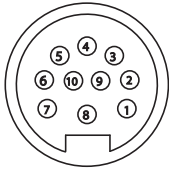
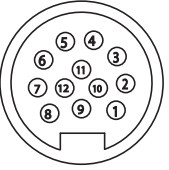
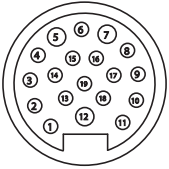
Specifications:

Shell: Clear Anodized Aluminum
 Insulator: 105° C, Oil Resistant Yellow PVC
 Wires: 18 & 22 AWG: UL Style 1007/1569, 300V
 Contacts: Copper Alloy with Gold Plating
 O-Ring: BUNA-N
 Temperature: -40°C to +105°C (-40°F to +221°F)
 Protection: IP 67
 Approvals: U.S.: UL Recognized
 Canada: C-UL Recognized
 19 Pole: U.S.: UL Pending
 Canada: C-UL Pending



MIN Series Size III Receptacles

North American Color Code ❖ Back Mount ❖ 18 & 22 AWG 300V

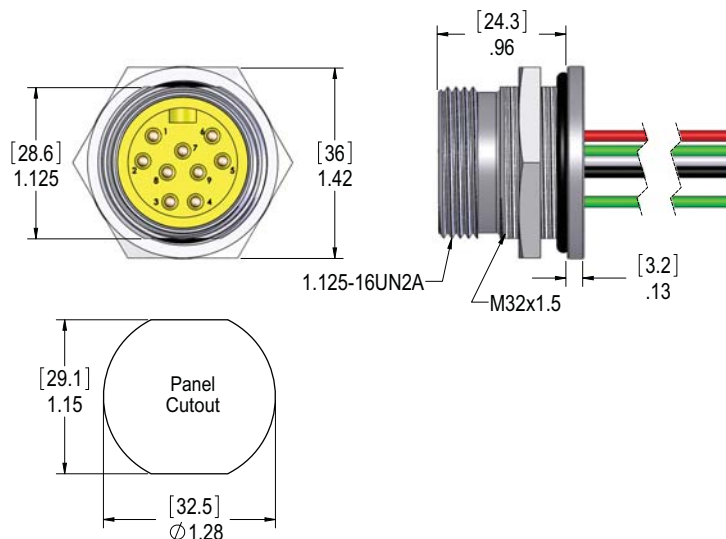
Face View of Male	# of Poles	Color Code		Wire AWG Rating	Male Receptacles	Female Receptacles
	9	1-Orange	6-Red	18 300V 4A	MIN-9MR-1-18-BM	MIN-9FR-1-18-BM
		2-Blue	7-Green/Yellow	22 300V 3A	MIN-9MR-1-22-BM	MIN-9FR-1-22-BM
	3-Red w/ Black	8-White w/ Black				
	4-Green w/ Black	9-Black				
	5-White					
	10	1-Orange	6-Orange w/ Black	18 300V 4A	MIN-10MR-1-18-BM	MIN-10FR-1-18-BM
		2-Blue	7-Red	22 300V 3A	MIN-10MR-1-22-BM	MIN-10FR-1-22-BM
	3-White w/ Black	8-Green/Yellow				
	4-Red w/ Black	9-Black				
	5-Green w/ Black	10-White				
	12	1-Orange	7-Blue w/ Black	18 300V 4A	MIN-12MR-1-18-BM	MIN-12FR-1-18-BM
		2-Blue	8-Black w/ White	22 300V 3A	MIN-12MR-1-22-BM	MIN-12FR-1-22-BM
	3-White w/ Black	9-Green/Yellow				
	4-Red w/ Black	10-Red				
	5-Green w/ Black	11-White				
	6-Orange w/ Black	12-Black				
	19	1-Violet	11-Black	18/3 300V 8A	MIN-19MR-1-BM	MIN-19FR-1-BM
		2-Red	12-Green/Yellow	&		
	3-Gray	13-Yellow w/ Brown	22/16 300V 3A			
	4-Red w/ Blue	14-Brown w/ Green				
	5-Blue	15-White				
	6-Green	16-Yellow				
	7-Brown	17-Pink				
	8-White w/ Green	18-Gray w/ Brown				
	9-White w/ Yellow	19-Gray w/ Pink				
	10-White w/ Gray					

MIN Series Size III Receptacles

12" leads are standard. Longer lead lengths are available, please consult the factory for part numbers. Other wire gauges and color codes are available, please consult the factory. Stainless Steel versions add "-SS" to the part number (e.g. MIN-9MR-1-18-BM becomes MIN-9MR-1-18-BM-SS) Note: For the 19 Pin, Pins 5, 7, and 12 have 18 AWG wires.

Specifications:

Shell: Clear Anodized Aluminum
 Insulator: 105° C, Oil Resistant Yellow PVC
 Wires: 18 & 22 AWG: UL Style 1007/1569, 300V
 Contacts: Copper Alloy with Gold Plating
 O-Ring: BUNA-N
 Temperature: -40°C to +105°C (-40°F to +221°F)
 Protection: IP 67
 Approvals: U.S.: UL Recognized
 Canada: C-UL Recognized
 19 Pole: U.S.: UL Pending





MIN Series Size III Accessories

Jam Nuts: NPT, PG & Metric Threads

Jam Nuts: NPT, PG & Metric Threads					
Part #	Thread	Figure	A	Thickness	Material
212M	1/2" NPT	2	28.5 mm	3.3 mm	Steel Zinc Plate
213M	PG 13.5	1	21 mm	3.0 mm	Brass Nickel Plate
216M	PG 16	1	26 mm	3.0 mm	Brass Nickel Plate
2M20M	M20 x 1.5	1	24 mm	3.0 mm	Brass Nickel Plate
2M25M	M25 x 1.5	1	32 mm	3.5 mm	Brass Nickel Plate

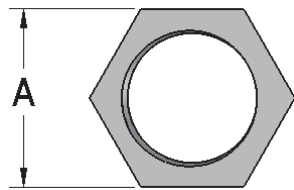


Figure 1

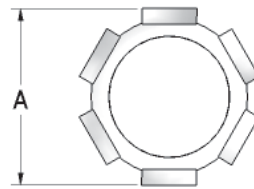


Figure 2

MIN Series Size III Receptacles



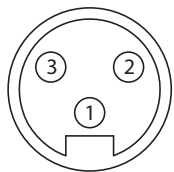
MIN Power Series

MIN Power

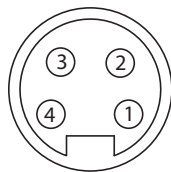
Cordsets 2-3



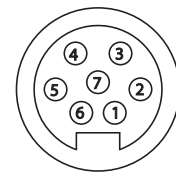
Receptacles 4



3 Pole



4 Pole

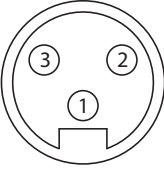
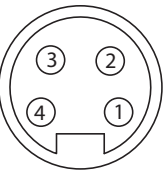


7 Pole



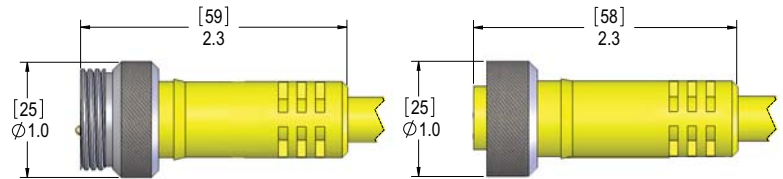
MIN Power Series Size I Cordsets

North American Color Code ❖ PVC Cable ❖ 14 AWG 600V Plugs

Face View of Male	# of Poles	Color Code	Wire AWG Rating	Length	Female Plugs		Male Plugs
					Straight	Right Angle	Straight
	3	1-Green/Yellow 2-Black 3-White	14 600V 18A	3 FT	MINH-3FP-3	MINH-3FP-3-R	MINH-3MP-3
6 FT				MINH-3FP-6	MINH-3FP-6-R	MINH-3MP-6	
12 FT				MINH-3FP-12	MINH-3FP-12-R	MINH-3MP-12	
20 FT				MINH-3FP-20	MINH-3FP-20-R	MINH-3MP-20	
30 FT				MINH-3FP-30	MINH-3FP-30-R	MINH-3MP-30	
	4	1-Black 2-White 3-Red 4-Green/Yellow	14 600V 15A	3 FT	MINH-4FP-3	MINH-4FP-3-R	MINH-4MP-3
6 FT				MINH-4FP-6	MINH-4FP-6-R	MINH-4MP-6	
12 FT				MINH-4FP-12	MINH-4FP-12-R	MINH-4MP-12	
20 FT				MINH-4FP-20	MINH-4FP-20-R	MINH-4MP-20	
30 FT				MINH-4FP-30	MINH-4FP-30-R	MINH-4MP-30	

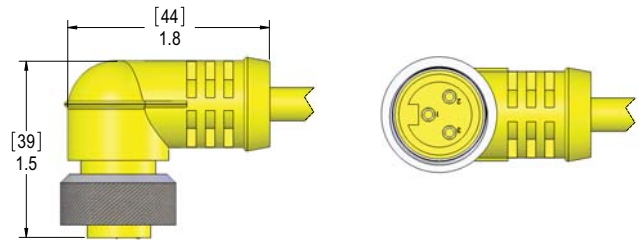
Specifications:

Body: 3 Pole: Oil Resistant Gray PVC
 4 Pole: Oil Resistant Yellow PVC
Contacts: Copper Alloy with Gold Plating
Coupling Nut: Clear Anodized Aluminum
Cable: 3 Conductors: Oil Resistant Gray PVC Jacket,
 4 Conductors: Oil Resistant Yellow PVC Jacket,
 Rated at 600V, 105°C, Non-Wicking,
 Non-Hygroscopic, UL Style STOW or
 AWM Style 2662
Conductors: 14 AWG Bare Copper, PVC Insulated
Temperature: -40°C to +105°C (-40°F to +221°F)
Protection: IP 67
Approvals: U.S.: UL Recognized
 Canada: C-UL Recognized

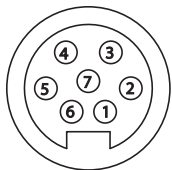


Straight Male Plug

Straight Female Plug



Right Angle Female Plug

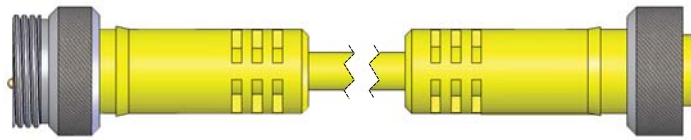
Mixed Power						
Face View of Male	# of Poles	Color Code	Wire AWG Rating	Length	Part Number	
					Female Plug	Male Plug
	7	1-White w/ Black 2-Black 3-White 4-Red 5-Orange 6-Blue 7-Green/Yellow	14/2 600V 10A	12 FT	MINH-7FPX-12	MINH-7MPX-12
20 FT				MINH-7FPX-20	MINH-7MPX-20	
30 FT				MINH-7FPX-30	MINH-7MPX-30	

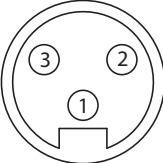
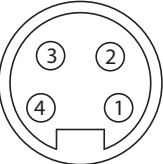
PVC Cable, rated at 105°C, 14/2, 18/5 AWM 2586, 600V. Pins 2 and 3 have 14 AWG wires.

Approvals: U.S.: UL Pending
 Canada: C-UL Pending

MIN Power Series Size I Cordsets

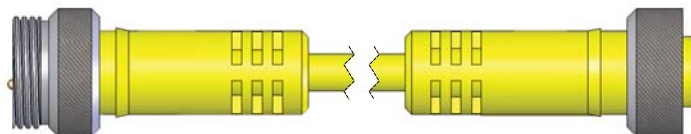
Male-Female Extension Cables ❖ PVC Cable ❖ 14 AWG 600V Plugs

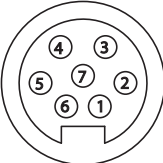


Face View of Male	# of Poles	Wire AWG Rating	Length	Part Number
	3	14 600V 18A	3 FT	MINH-3MFP-3
			6 FT	MINH-3MFP-6
			12 FT	MINH-3MFP-12
			20 FT	MINH-3MFP-20
			30 FT	MINH-3MFP-30
	4	14 600V 15A	3 FT	MINH-4MFP-3
			6 FT	MINH-4MFP-6
			12 FT	MINH-4MFP-12
			20 FT	MINH-4MFP-20
			30 FT	MINH-4MFP-30

MIN Power

Available options: for Extension Cables with right angle female ends, or stainless steel, please consult the factory.



Mixed Power Male-Female Extension				
Face View of Male	# of Poles	Wire AWG Rating	Length	Part Number
	7	14/2 600V 10A	12 FT	MINH-7MFPX-12
			20 FT	MINH-7MFPX-20
			30 FT	MINH-7MFPX-30
		18/5 600V 5A		

PVC Cable, rated at 105°C, 14/2, 18/5 AWM 2586, 600V. Pins 2 and 3 have 14 AWG wires.

Approvals: U.S.: UL Pending
Canada: C-UL Pending



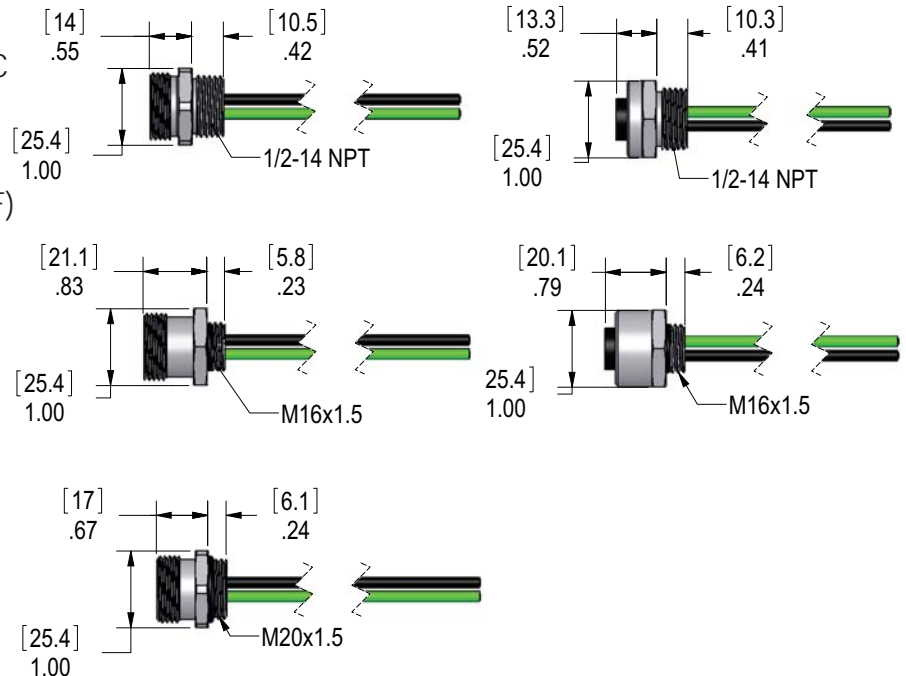
MIN Power Series Size I Receptacles

North American Color Code ❖ 1/2" - 14 NPT Threads ❖ Metric Threads

Face View of Male	# of Poles	Color Code	Wire AWG Rating	Thread Type	Length	Male Receptacles	Female Receptacle
	3	1-Green/Yellow 2-Black 3-White	14 600V 18A	1/2" NPT	1 FT 3 FT 6 FT	MINH-3MR-1 MINH-3MR-3 MINH-3MR-6	MINH-3FR-1 MINH-3FR-3 MINH-3FR-6
				M16 x 1.5	1 FT 3 FT 6 FT	MINH-3MR-1-M16 MINH-3MR-3-M16 MINH-3MR-6-M16	MINH-3FR-1-M16 MINH-3FR-3-M16 MINH-3FR-6-M16
				M20 x 1.5	1 FT 3 FT 6 FT	MINH-3MR-1-M20 MINH-3MR-3-M20 MINH-3MR-6-M20	
	4	1-Black 2-White 3-Red 4-Green/Yellow	14 600V 15A	1/2" NPT	1 FT 3 FT 6 FT	MINH-4MR-1 MINH-4MR-3 MINH-4MR-6	MINH-4FR-1 MINH-4FR-3 MINH-4FR-6
				M16 x 1.5	1 FT 3 FT 6 FT	MINH-4MR-1-M16 MINH-4MR-3-M16 MINH-4MR-6-M16	MINH-4FR-1-M16 MINH-4FR-3-M16 MINH-4FR-6-M16
				M20 x 1.5	1 FT 3 FT 6 FT	MINH-4MR-1-M20 MINH-4MR-3-M20 MINH-4MR-6-M20	
	7	1-White w/ Black 2-Black 3-White 4-Red 5-Orange 6-Blue 7-Green/Yellow	14/2 & 18/5 300V 5A	1/2" NPT	1 FT 3 FT 6 FT	MINH-7MR-1 MINH-7MR-3 MINH-7MR-6	MINH-7FR-1 MINH-7FR-3 MINH-7FR-6
				M16 x 1.5	1 FT 3 FT 6 FT	MINH-7MR-1-M16 MINH-7MR-3-M16 MINH-7MR-6-M16	MINH-7FR-1-M16 MINH-7FR-3-M16 MINH-7FR-6-M16
				M20 x 1.5	1 FT 3 FT 6 FT	MINH-7MR-1-M20 MINH-7MR-3-M20 MINH-7MR-6-M20	

Specifications:

Shell: Clear Anodized Aluminum
 Insulator: 105°C, Oil Resistant Yellow PVC
 Wire: 14 AWG: UL Style 1015, 600V
 18 AWG: UL Style 1007, 300V
 Contacts: Copper Alloy with Gold Plating
 Temperature: -40°C to 105°C (-40°F to +221°F)
 Protection: IP 67
 Approvals: U.S.: UL Recognized
 Canada: C-UL Recognized



Male Receptacles

Female Receptacles



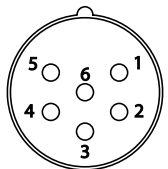
MC Series

M16..... 2-3

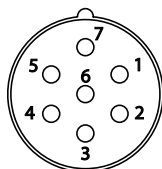
M23..... 4-11

M27..... 12-13

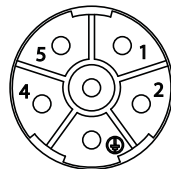
Tools 14



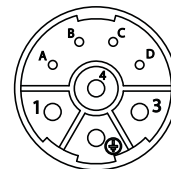
6 Pole



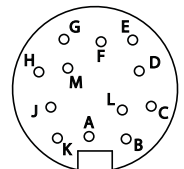
7 Pole



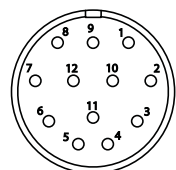
6 Pole



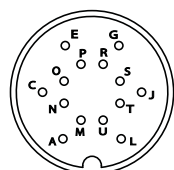
7 Pole



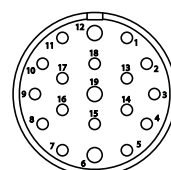
12 Pole



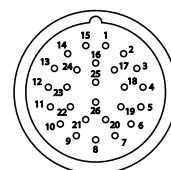
12 Pole



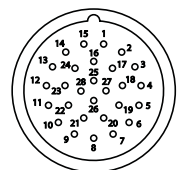
14 Pole



19 Pole



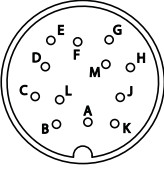
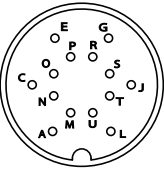
26 Pole



28 Pole

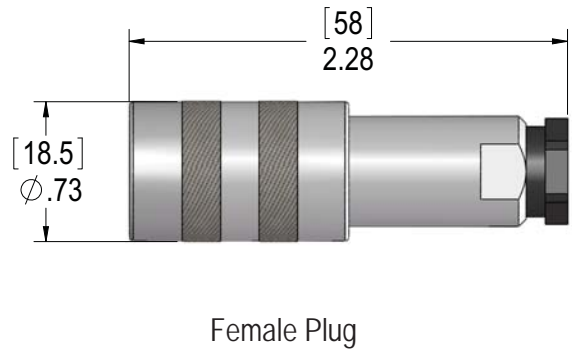
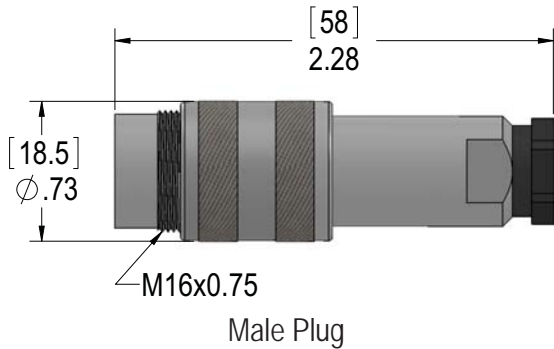
MCL Series M16 Field Wireable Plugs

24 - 28 AWG 60V ❖ PG 7 & PG 9

Face View of Male	# of Poles	Wire AWG Rating	PG Size	Cable O.D.	Male Plug	Female Plug
	12	24 - 28 AWG 60V 3A	PG 7 PG 9	4 - 6 mm 6 - 8 mm	MCL-12MP-FW07 MCL-12MP-FW09	MCL-12FP-FW07 MCL-12FP-FW09
	14	24 - 28 AWG 60V 3A	PG 7 PG 9	4 - 6 mm 6 - 8 mm	MCL-14MP-FW07 MCL-14MP-FW09	MCL-14FP-FW07 MCL-14FP-FW09

Specifications:

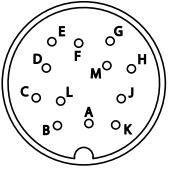
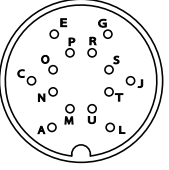
- Body: Nickel Plated Brass
- Contacts: Copper Alloy with Gold Plating
- Insert: PBT
- Termination: Solder Cup 24 - 28 AWG
- Temperature: -30°C to +95°C (-22°F to +203°F)
- Protection: IP 67

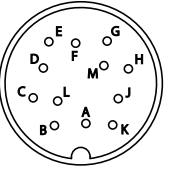
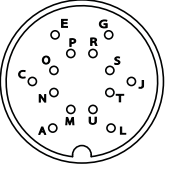


MCL Series

MCL Series M16 Receptacles

Solder Cup ❖ Back Mount Solder Cup

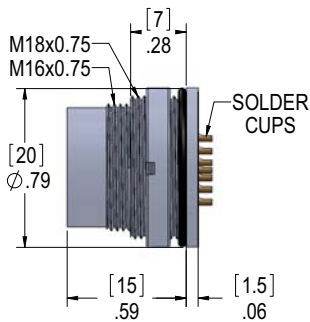
Solder Cup: Front Mount Version				
Face View of Male	# of Poles	Wire AWG Rating	Male Receptacles	Female Receptacles
	12	24 - 28 AWG 60V 3A	MCL-12MR-M18-SC	MCL-12FR-M18-SC
	14	24 - 28 AWG 60V 3A	MCL-14MR-M18-SC	MCL-14FR-M18-SC

Solder Cup: Back Mount Version				
Face View of Male	# of Poles	Wire AWG Rating	Male Receptacles	Female Receptacles
	12	24 - 28 AWG 60V 3A	MCL-12MR-M18-BM-SC	MCL-12FR-M18-BM-SC
	14	24 - 28 AWG 60V 3A	MCL-14MR-M18-BM-SC	MCL-14FR-M18-BM-SC

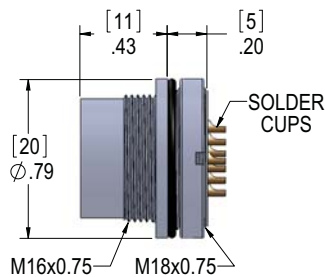
Specifications:

Shell: Nickel Plated Zinc Diecast
 Contacts: Copper Alloy with Gold Plating
 Lock Nut: Nickel Plated Brass
 O-Ring: NBR

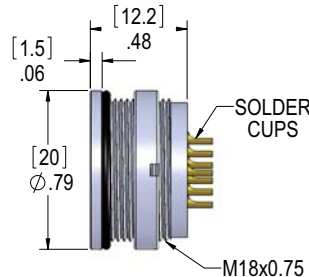
Insert: PBT
 Temperature: -30°C to +85°C (-22°F to +185°F)
 Protection: IP 67



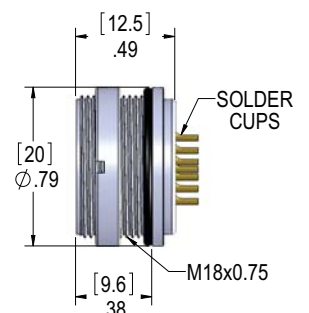
Front Mount



Back Mount
Male Receptacles



Front Mount

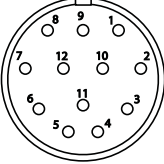
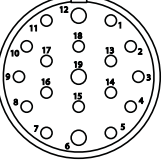


Back Mount

Female Receptacles

MCV Series M23 Cordsets

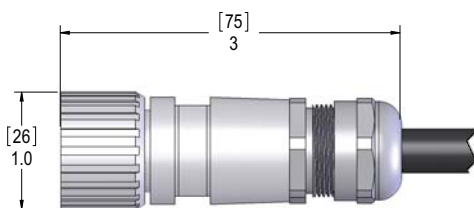
Male Plugs with Female Thread ❖ Male Plugs with Male Threads

Face View of Male	# of Poles	Color Code	Wire AWG Rating	Length	Male Plugs (Female Threads)	Male Plugs (Male Threads)
	12	1-Brown 2-Not Used 3-Blue 4-White 5-Green 6-Yellow 7-Gray 8-Pink 9-Red 10-Black 11-Violet 12-Green/Yellow	18/3 300V 8A & 22/8 300V 4A	2 M 5 M 10 M 20 M	MCV-12MP-2M MCV-12MP-5M MCV-12MP-10M MCV-12MP-20M	MCV-12MPM-2M MCV-12MPM-5M MCV-12MPM-10M MCV-12MPM-20M
	19	1-Violet 2-Red 3-Gray 4-Red w/ Blue 5-Green 6-Blue 7-Gray/Pink 8-White w/ Green 9-White w/ Yellow 10-White w/ Gray 11-Black 12-Green/Yellow 13-Yellow w/ Brown 14-Brown w/ Green 15-White 16-Yellow 17-Pink 18-Gray w/ Brown 19-Brown	18/3 300V 8A & 22/16 300V 4A	2 M 5 M 10 M 20 M	MCV-19MP-2M MCV-19MP-5M MCV-19MP-10M MCV-19MP-20M	MCV-19MPM-2M MCV-19MPM-5M MCV-19MPM-10M MCV-19MPM-20M

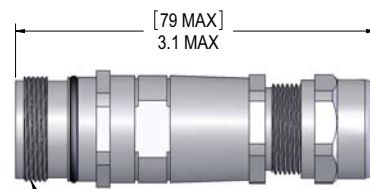
Brown, Blue and Green/Yellow are 18AWG wires.

Specifications:

Body: Oil Resistant Yellow PUR
 Contacts: Copper Alloy with Gold Plating
 Coupling Nut: Clear Anodized Aluminum
 Cable: Oil Resistant Yellow PUR Jacket,
 Rated at 300V, 80°C, Non-Wicking,
 Non-Hygroscopic, AWM Style 20233,
 Halogen Free
 19 Pole Plug has a foil shield
 Conductors: 18 AWG Bare Copper, PE Insulated
 22 AWG Bare Copper, PE Insulated
 Temperature: -40°C to +80°C (-40°F to +176°F)
 Protection: IP 67



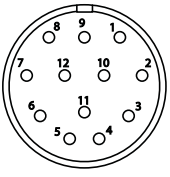
Male Plug with Female Threads



Male Plug with Male Threads

MCV Series M23 Cordsets

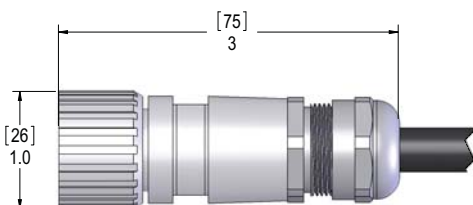
Female Plugs ❖ Male - Female Extensions

Face View of Female	# of Poles	Color Code	Wire AWG Rating	Length	Female Plugs	Extension Cables
	12	1-Brown 2-Not Used 3-Blue 4-White 5-Green 6-Yellow 7-Gray 8-Pink 9-Red 10-Black 11-Violet 12-Green/Yellow	18/3 300V 8A & 22/8 300V 4A	2 M 5 M 10 M 20 M	MCV-12FP-2M MCV-12FP-5M MCV-12FP-10M MCV-12FP-20M	MCV-12MFP-2M MCV-12MFP-5M MCV-12MFP-10M MCV-12MFP-20M
	19	1-Violet 2-Red 3-Gray 4-Red w/ Blue 5-Green 6-Blue 7-Gray/Pink 8-White w/ Green 9-White w/ Yellow 10-White w/ Gray 11-Black 12-Green/Yellow 13-Yellow w/ Brown 14-Brown w/ Green 15-White 16-Yellow 17-Pink 18-Gray w/ Brown 19-Brown	18/3 300V 8A & 22/16 300V 4A	2 M 5 M 10 M 20 M	MCV-19FP-2M MCV-19FP-5M MCV-19FP-10M MCV-19FP-20M	MCV-19MFP-2M MCV-19MFP-5M MCV-19MFP-10M MCV-19MFP-20M

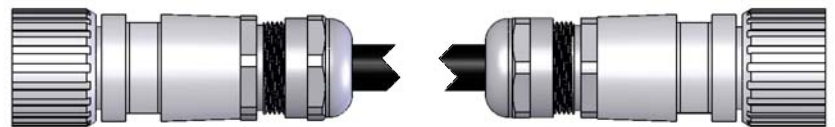
Brown, Blue and Green/Yellow are 18AWG wires. For right angle cordsets, please consult the factory.

Specifications:

Body: Oil Resistant Yellow PUR
 Contacts: Copper Alloy with Gold Plating
 Coupling Nut: Clear Anodized Aluminum
 Cable: Oil Resistant Yellow PUR Jacket,
 Rated at 300V, 80°C, Non-Wicking,
 Non-Hygroscopic, AWM Style 20233,
 Halogen Free
 19 Pole Plug has a foil shield
 Conductors: 18 AWG Bare Copper, PE Insulated
 22 AWG Bare Copper, PE Insulated
 Temperature: -40°C to +80°C (-40°F to +176°F)
 Protection: IP 67



Female Plug



Male - Female Extension Cable

MCV Series M23 Field Wireable Plugs

Solder Cup ❖ Crimp Pins

Face View of Male	# of Poles	Wire AWG Rating	Cable O.D.	Contact Type	Male Plug (Female Threads)	Male Plug (Male Threads)	Female Plug	Female Right Angle
	12	16 - 26 300V 8A MAX	6 - 9 mm	Solder Cup	MCV-12MP-FW	MCV-12MPM-FW	MCV-12FP-FW	MCV-12FP-FW-R
				Crimp Pin	MCV-12MP-FW-CC	MCV-12MPM-FW-CC	MCV-12FP-FW-CC	MCV-12FP-FW-R-CC
	19	16 - 26 300V 8A MAX	6 - 9 mm	Solder Cup	MCV-19MP-FW	MCV-19MPM-FW	MCV-19FP-FW	MCV-19FP-FW-R
				Crimp Pin	MCV-19MP-FW-CC	MCV-19MPM-FW-CC	MCV-19FP-FW-CC	MCV-19FP-FW-R-CC

Connection via solder cup terminal or crimp pin. Voltage and amperage ratings are cable dependent and are based on 600V 18 AWG cable. Cables with lower voltage ratings and smaller conductors will lower these ratings.

Specifications:

Body: Nickel Plated Brass

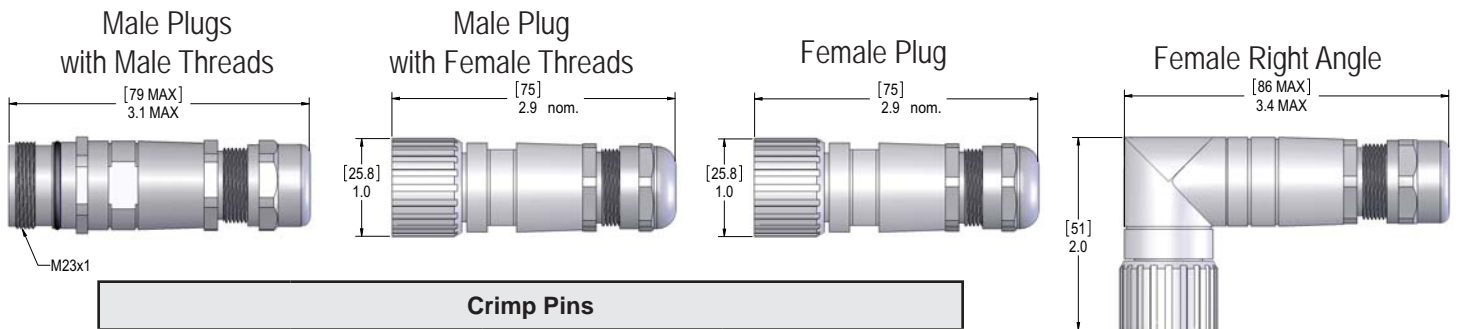
Insert: PBT

Contacts: Copper Alloy with Gold Plating

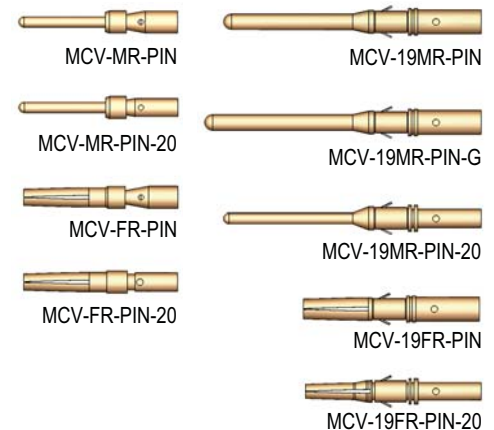
Temperature: -40°C to +105°C (-40°F to +221°F)

O-Ring: BUNA-N

Protection: IP 67 MAX



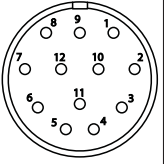
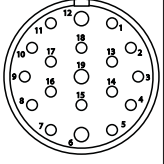
Crimp Pins			
# of Poles	Wire AWG	Male Contacts	Female Contacts
12	18 AWG	MCV-MR-PIN	MCV-FR-PIN
	20-24 AWG	MCV-MR-PIN-20	MCV-FR-PIN-20
19	18 AWG	MCV-19MR-PIN	MCV-19FR-PIN
	20-24 AWG	MCV-19MR-PIN-20	MCV-19FR-PIN-20
	18 AWG Male Ground Pin	MCV-19MR-PIN-G	
Tools			
# of Poles	Description	Part Number	
12	Removal Tool	MCV12ES	
19	Removal Tool	MCV19ES	
12 & 19	Crimp Tool	CCPZ-MIL	
12	Crimp Tool Locator	MCTP-V12	
F-6 19	Crimp Tool Locator	MCTP-V19	



Crimp Tool and Crimp Tool Locator are ordered separately. Locator fits onto crimp tool and is necessary for proper crimping.

MCV Series M23 Receptacles

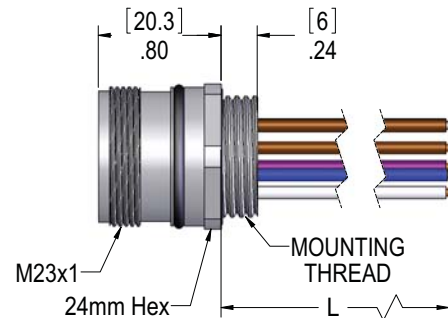
Male & Female Receptacles

M23 Male and Female Pre-Wired Receptacles								
Face View of Male	# of Poles	Color Code		Wire AWG Rating	Length	Mounting Thread	Male Receptacles	Female Receptacles
	12	1-Brown	7-Gray	18/3 300V/8A	0.3 M	PG 13.5	MCV-12MR-0.3M-PG13.5	MCV-12FR-0.3M-PG13.5
2-Not Used		8-Pink	1 M		PG 13.5	MCV-12MR-1M-PG13.5	MCV-12FR-1M-PG13.5	
3-Blue		9-Red	2 M		PG 13.5	MCV-12MR-2M-PG13.5	MCV-12FR-2M-PG13.5	
4-White		10-Black	22/8 300V/4A	0.3 M	M20	MCV-12MR-0.3M-M20	MCV-12FR-0.3M-M20	
5-Green		11-Violet		1 M	M20	MCV-12MR-1M-M20	MCV-12FR-1M-M20	
6-Yellow		12-Green/Yellow		2 M	M20	MCV-12MR-2M-M20	MCV-12FR-2M-M20	
	19	1-Violet	11-Black	18/3 300V/8A	0.3 M	PG 13.5	MCV-19MR-0.3M-PG13.5	MCV-19FR-0.3M-PG13.5
2-Red		12-Green/Yellow	1 M		PG 13.5	MCV-19MR-1M-PG13.5	MCV-19FR-1M-PG13.5	
3-Gray		13-Yellow w/ Brown	2 M		PG 13.5	MCV-19MR-2M-PG13.5	MCV-19FR-2M-PG13.5	
4-Red w/ Blue		14-Brown w/ Green	&	0.3 M	M20	MCV-19MR-0.3M-M20	MCV-19FR-0.3M-M20	
5-Green		15-White		1 M	M20	MCV-19MR-1M-M20	MCV-19FR-1M-M20	
6-Blue		16-Yellow		2 M	M20	MCV-19MR-2M-M20	MCV-19FR-2M-M20	
7-Gray/Pink	17-Pink	22/16 300V/4A	0.3 M	M20	MCV-19MR-0.3M-M20	MCV-19FR-0.3M-M20		
8-White w/ Green	18-Gray w/ Brown		1 M	M20	MCV-19MR-1M-M20	MCV-19FR-1M-M20		
9-White w/ Yellow	19-Brown		2 M	M20	MCV-19MR-2M-M20	MCV-19FR-2M-M20		
10-White w/ Gray								

Brown, Blue, and Green/Yellow are 18 AWG wires.

Specifications:

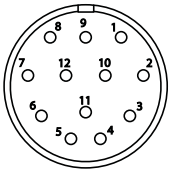
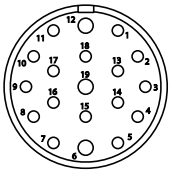
Shell:	Nickel Plated Brass
Insulator:	PBT
Contacts:	Copper Alloy with Gold Plating
O-Ring:	BUNA-A
Lock Nut:	Nickel Plated Brass
Temperature:	-40°C to 105°C (-40°F to +221°F)
Protection:	IP 67



MCV Series M23 Receptacles

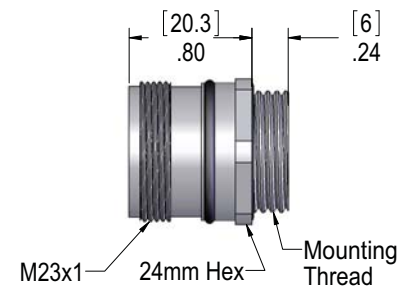
Male & Female Receptacles ❖ Solder Cups ❖ Crimp Pins

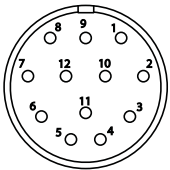
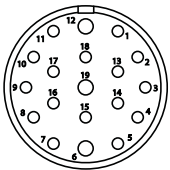
MCV Series

M23 Male and Female Receptacles with Solder Cups						
Face View of Male	# of Poles	Color Code		Mounting Thread	Male Receptacles	Female Receptacles
	12	1-Brown 2-Not Used 3-Blue 4-White 5-Green 6-Yellow	7-Gray 8-Pink 9-Red 10-Black 11-Violet 12-Green/Yellow	PG 13.5 M20	MCV-12MR-PG13.5-SC MCV-12MR-M20-SC	MCV-12FR-PG13.5-SC MCV-12FR-M20-SC
	19	1-Violet 2-Red 3-Gray 4-Red w/ Blue 5-Green 6-Blue 7-Gray/Pink 8-White w/ Green 9-White w/ Yellow 10-White w/ Gray	11-Black 12-Green/Yellow 13-Yellow w/ Brown 14-Brown w/ Green 15-White 16-Yellow 17-Pink 18-Gray w/ Brown 19-Brown	PG 13.5 M20	MCV-19MR-PG13.5-SC MCV-19MR-M20-SC	MCV-19FR-PG13.5-SC MCV-19FR-M20-SC

Specifications:

- Shell: Nickel Plated Brass
- Insulator: 105°C, Oil Resistant Yellow PVC
- Contacts: Copper Alloy with Gold Plating
- O-Ring: BUNA-A
- Lock Nut: Nickel Plated Brass
- Temperature: -40°C to 105°C (-40°F to +221°F)
- Protection: IP 67

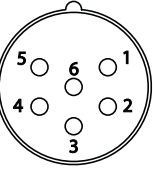
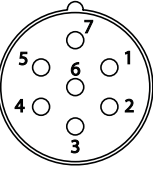


M23 Male and Female Receptacles with Crimp Pins						
Face View of Male	# of Poles	Color Code		Mounting Thread	Male Receptacles	Female Receptacles
	12	1-Brown 2-Not Used 3-Blue 4-White 5-Green 6-Yellow	7-Gray 8-Pink 9-Red 10-Black 11-Violet 12-Green/Yellow	PG 13.5 M20	MCV-12MR-PG13.5-CC MCV-12MR-M20-CC	MCV-12FR-PG13.5-CC MCV-12FR-M20-CC
	19	1-Violet 2-Red 3-Gray 4-Red w/ Blue 5-Green 6-Blue 7-Gray/Pink 8-White w/ Green 9-White w/ Yellow 10-White w/ Gray	11-Black 12-Green/Yellow 13-Yellow w/ Brown 14-Brown w/ Green 15-White 16-Yellow 17-Pink 18-Gray w/ Brown 19-Brown	PG 13.5 M20	MCV-19MR-PG13.5-CC MCV-19MR-M20-CC	MCV-19FR-PG13.5-CC MCV-19FR-M20-CC

F-8 Crimp pins sold separately.. See page F-6 for part numbers.

MCV Series M23 Receptacles

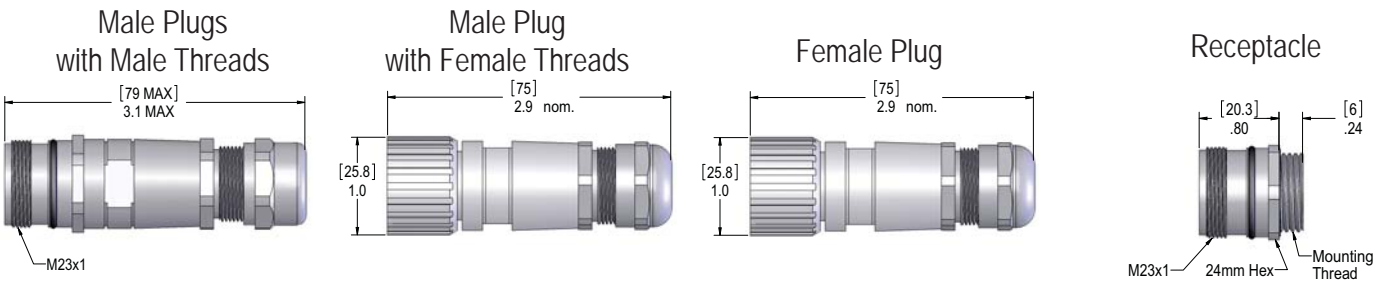
6 & 7 Pole Field Wireables & Receptacles ❖ Contacts

Face View of Male	# of Poles	Male Plug (Male Threads)	Male Plug (Female Threads)	Female Plug	Male Receptacle	Female Receptacle
	6	MCV-6MPM-FW-CC	MCV-6MP-FW-CC	MCV-6FP-FW-CC	MCV-6MR-M20-CC	MCV-FR-M20-CC
	7	MCV-7MPM-FW-CC	MCV-7MP-FW-CC	MCV-7FP-FW-CC	MCV-7MR-M20-CC	MCV-7FR-M20-CC

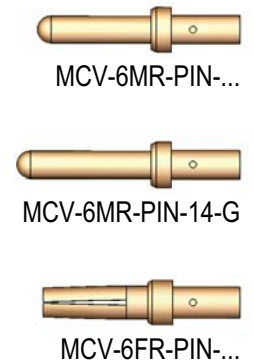
Connection is via crimp pins. Voltage and amperage ratings are based on 300V 14 AWG wire and cable. Cables with lower voltage rating and smaller conductors will lower these ratings.

Specifications:

Shell: Nickel Plated Brass
 Insulator: 105°C, Oil Resistant Yellow PVC
 Contacts: Copper Alloy with Gold Plating
 O-Ring: BUNA-A
 Lock Nut: Nickel Plated Brass
 Temperature: -40°C to 105°C (-40°F to +221°F)
 Protection: IP 67

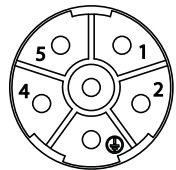
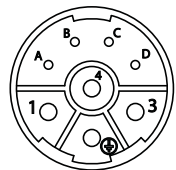


Crimp Pins			
# of Poles	Wire AWG	Male Contacts	Female Contacts
6 & 7	14 - 16 AWG	MCV-6MR-PIN-14	MCV-6FR-PIN -14
	18 - 20 AWG	MCV-MR-PIN-18	MCV-6FR-PIN-18
	14 - 16 AWG Male Ground Pin	MCV-6MR-PIN-14-G	
Tools			
# of Poles	Description	Part Number	
6 & 7	Removal Tool	MCV6ES	
6 & 7	Crimp Tool	CCPZ-MIL	
6 & 7	Crimp Tool Locator	MCTP-V6	



MCVH Series M23 Field Wireable Plugs

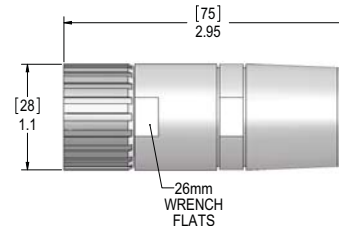
6 Pole 30A, 630V ❖ 8 Pole 30A, 630V ❖ Contacts

Face View of Male	# of Poles	Wire AWG Rating	Female Plugs	Male Plugs (Male Threads)
	6	30A 600V	MCVH-6FP-FW-CC	MCVH-6MPM-FW-CC
	8	30A 600V	MCVH-8FP-FW-CC	MCVH-8MPM-FW-CC

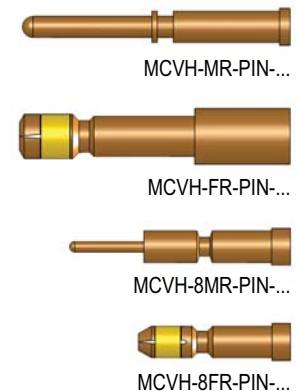
Connection is via crimp pins. Voltage and amperage ratings are cable dependent and are based on 600V 12 AWG cable. Cables with lower voltage ratings and smaller conductors will lower these ratings.

Specifications:

Body: Nickel Plated Brass
 Contacts: Copper Alloy with Gold Plating
 O-Ring: FPM
 Coupling Nut: Nickel Plated Brass
 Insert: Polyamide
 Temperature: -40°C to +105°C (-40°F to +221°F)
 Protection: IP 67

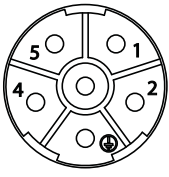
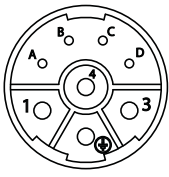


Crimp Pins			
# of Poles	Wire AWG	Male Contacts	Female Contacts
6 & 8* *Pins 1 - 4 for the 8 Pole	12 AWG 14 - 16 AWG 18 - 20 AWG 22 - 24 AWG	MCVH-MR-PIN-12 MCVH-MR-PIN-16 MCVH-MR-PIN-20 MCVH-MR-PIN-24	MCVH-FR-PIN-12 MCVH-FR-PIN-16 MCVH-FR-PIN-20 MCVH-FR-PIN-24
8 Pins A - D	18 - 22 AWG 24 - 26 AWG	MCVH-8MR-PIN-18 MCVH-8MR-PIN-24	MCVH-8FR-PIN-18 MCVH-8FR-PIN-24
Tools			
# of Poles	Description	Part Number	
6 & 8	Crimp Tool	CCPZ-MIL	
6 & 8	Crimp Tool Locator	MCTP-VH6-8	



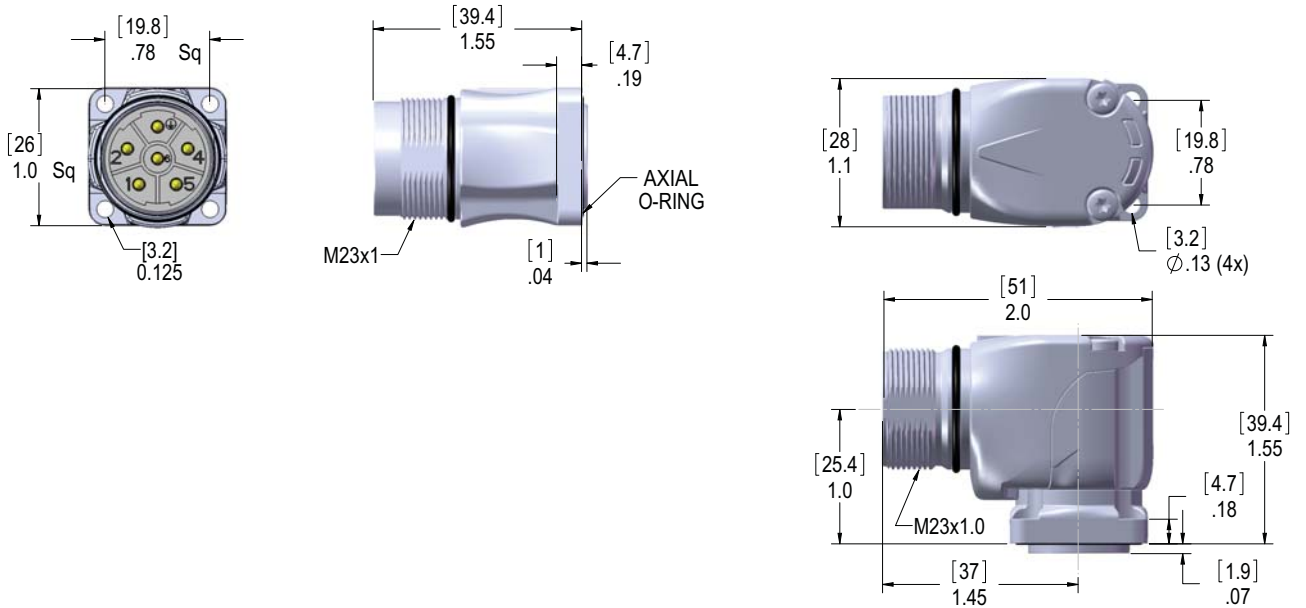
MCVH Series M23 Receptacles

Male & Female Receptacles ❖ Panel Mount ❖ Crimp Pins

M23 Male Receptacles with Crimp Pins			
Face View of Male	# of Poles	Panel Mount Male Receptacles	Panel Mount RT Male Receptacles
	6	MCVH-6MR-PM-CC	MCVH-6MR-PM-RT-CC
	8	MCVH-8MR-PM-CC	MCVH-8MR-PM-RT-CC

Specifications:

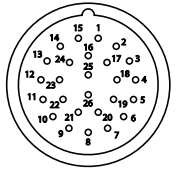
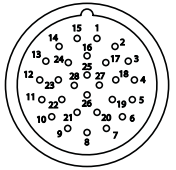
Body: PM-CC: Nickel Plated Brass
 RT-CC: Nickel Plated Zinc
 Insulator: Polyamide
 Contacts: Copper Alloy with Gold Plating
 O-Ring: FPM
 Temperature: -40°C to +105°C (-40°F to +221°F)
 Protection: IP 67



MCVH Series

MCV Series M27 Field Wireable Plugs

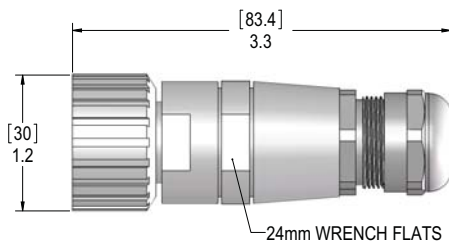
26 Pole ❖ 28 Pole

Face View of Male	# of Poles	Wire AWG Rating	Female Plugs	Male Plugs (Male Threads)
	26	1.5A 150V	MCX-26FP-FW-SC	MCX-26MPM-FW-SC
	28	1.5A 150V	MCX-28FP-FW-SC	MCX-28MPM-FW-SC

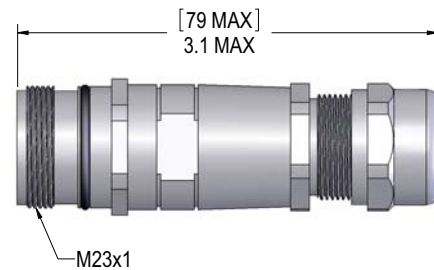
Connection is via solder cup terminal. Voltage and amperage ratings are cable dependent and are based on 150V 18 AWG wire. Wires with lower voltage ratings and smaller conductors will lower these ratings.

Specifications:

Body: Nickel Plated Brass
 Contacts: Copper Alloy with Gold Plating
 O-Ring: FPM
 Coupling Nut: Nickel Plated Brass
 Insert: Polyamide
 Temperature: -40°C to +105°C (-40°F to +221°F)
 Protection: IP 67



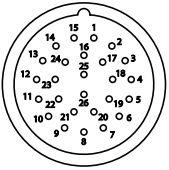
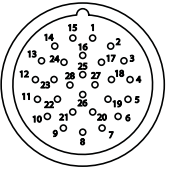
Female Plug



Male Plug
with Male Threads

MCX Series M27 Receptacles

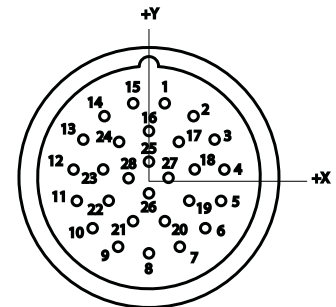
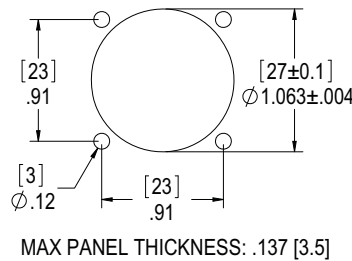
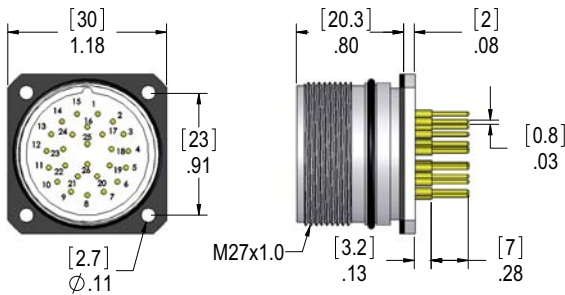
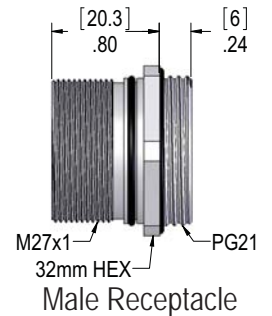
26 Pole ❖ 28 Pole ❖ PG 21

Face View of Male	# of Poles	Thread Size	Male Contacts	Male PCB Mount Contact
	26	PG 21	MCX-26MR-PG21-SC	MCX-26MR-BM-PCB
	28	PG 21	MCX-28MR-PG21-SC	MCX-28MR-BM-PCB

-SC version connection is via solder cup. Voltage and amperage ratings for -SC are wire dependent and are based on 150V 18 AWG wire. Wires with lower voltage ratings and smaller conductors will lower these ratings.

Specifications:

Body: Nickel Plated Brass
 Contacts: Copper Alloy with Gold Plating
 O-Ring: FPM
 Coupling Nut: Nickel Plated Brass
 Insert: Polyamide
 Temperature: -40°C to +105°C (-40°F to +221°F)



PCB Layout					
Pin #	X	Y	Pin #	X	Y
1	1.95	7.47	15	-1.95	7.47
2	4.8	6.06	16	0	5.03
3	6.82	3.65	17	02.82	3.6
4	7.7	0.6	18	4.55	0.97
5	7.28	-2.53	19	4.2	-2.13
6	5.67	-5.2	20	1.83	-4.17
7	3.08	-7.08	21	-1.83	-4.17
8	0	-7.73	22	-4.2	-2.13
9	-3.08	-7.08	23	-4.55	0.97
10	-5.67	-5.2	24	-2.82	3.6
11	-7.28	-2.53	25	0	1.88
12	-7.7	0.6	26	0	-1.6
13	-6.82	3.65	27	2.02	0.14
14	-4.8	6.05	28	-2.02	0.14

MCV Series Tools

Crimping Tool ❖ Locator ❖ Gage

Crimping Tool

The CCPZ-MIL crimping tool conforms to the international standard MIL-C-22520/1. The crimping is performed with 8 pressure points. The tool is equipped with a ratcheting mechanism to insure a complete crimping cycle is performed every time. This tool must be equipped with one of the interchangeable locators according to the series of contacts that are to be crimped. The selector dial on the side of the tool to adjust the crimp depth according to the contact and wire size being crimped.



Locator

The locator is designed to be used with several different contacts within a contact series. The label on the side of the locator will indicate the proper setting for the locator and the crimp tool relative to the contact being crimped.



Gage

The indenting "teeth" on the crimp tool are subject to wear, so it is important to check the calibration of the tool at regular intervals. The CCPNP gage is a Go - No Go gage that is used to make sure the tool is crimping properly.



To use the CCPNP, put the CCPZ-MIL selector dial to position 4.

Put the crimping tool in a completely closed position.

"GO" -- Insert the "GO" (green) end of the CCPNP into the crimp area. The gage must pass freely between the indenter "teeth".

"NO-GO" -- Insert the "NO-GO" (red) end of the CCPNP into the crimp area. The gage must not pass between the indenter "teeth".

If the NO-GO end of the gage passes through the indenter "teeth", the indenters are worn and need to be replaced.

Please consult the factory to get the tool repaired.

Mencom understand that many customers have a one-time requirement of the MC Series of product and prefer not to purchase tooling to perform the crimping. To help these customers, Mencom has a month to month tool lease program. Please consul the factory for information about this program.



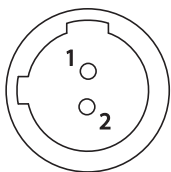
Micro-AC Series Cordsets

Cordsets 2-8

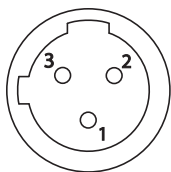


MAC Series (Micro-AC) Cordsets

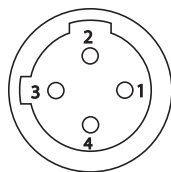
Accessories 8



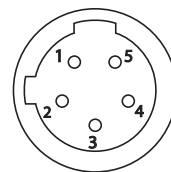
2 Pole



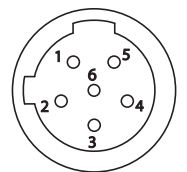
3 Pole



4 Pole



5 Pole

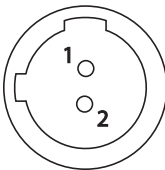
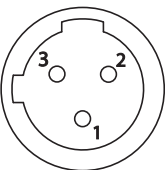
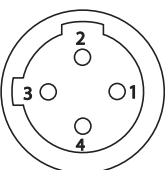
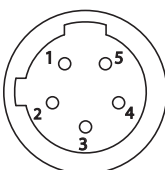
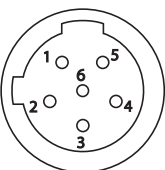


6 Pole



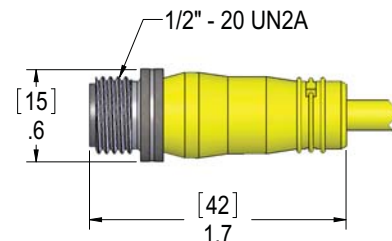
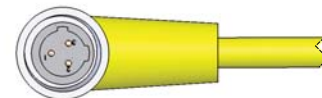
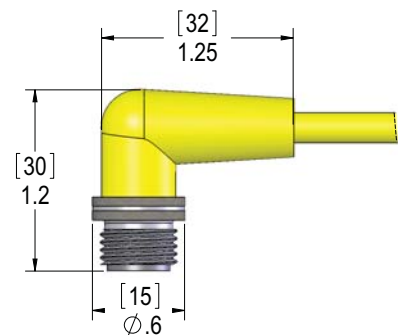
Micro-AC Series Cordsets

PVC Cable ❖ 22 AWG 300V Male Plugs

Face View of Male	# of Poles	Color Code	Wire AWG Rating	Length	Male Straight	Male Right Angle
	2	1-Brown 2-Blue	22 300V 4A	3 FT 6 FT 12 FT 20 FT 30 FT	MAC-2MP-3 MAC-2MP-6 MAC-2MP-12 MAC-2MP-20 MAC-2MP-30	MAC-2MP-3-R MAC-2MP-6-R MAC-2MP-12-R MAC-2MP-20-R MAC-2MP-30-R
	3	1-Green/Yellow 2-Red w/ Black 3-Red w/ White	22 300V 4A	3 FT 6 FT 12 FT 20 FT 30 FT	MAC-3MP-3 MAC-3MP-6 MAC-3MP-12 MAC-3MP-20 MAC-3MP-30	MAC-3MP-3-R MAC-3MP-6-R MAC-3MP-12-R MAC-3MP-20-R MAC-3MP-30-R
	4	1-Red w/ Black 2-Red w/ White 3-Red 4-Green/Yellow	22 300V 4A	3 FT 6 FT 12 FT 20 FT 30 FT	MAC-4MP-3 MAC-4MP-6 MAC-4MP-12 MAC-4MP-20 MAC-4MP-30	MAC-4MP-3-R MAC-4MP-6-R MAC-4MP-12-R MAC-4MP-20-R MAC-4MP-30-R
	5	1-Red w/ White 2-Red 3-Green/Yellow 4-Red w/ Yellow 5-Red w/ Black	22 300V 4A	3 FT 6 FT 12 FT 20 FT 30 FT	MAC-5MP-3 MAC-5MP-6 MAC-5MP-12 MAC-5MP-20 MAC-5MP-30	MAC-5MP-3-R MAC-5MP-6-R MAC-5MP-12-R MAC-5MP-20-R MAC-5MP-30-R
	6	1-Red w/ White 2-Red 3-Green/Yellow 4-Red w/ Yellow 5-Red w/ Black 6-Red w/ Blue	22 300V 4A	3 FT 6 FT 12 FT 20 FT 30 FT	MAC-6MP-3 MAC-6MP-6 MAC-6MP-12 MAC-6MP-20 MAC-6MP-30	MAC-6MP-3-R MAC-6MP-6-R MAC-6MP-12-R MAC-6MP-20-R MAC-6MP-30-R

Specifications:

Body: Oil Resistant Yellow PVC
 Insulator: Polyamide
 Contacts: Copper Alloy with Gold Plating
 Coupling Nut: Nickel Plated Brass
 Cable: Oil Resistant Yellow PVC Jacket,
 Rated at 300V, 105°C, Non-Wicking,
 Non-Hygroscopic, UL Style 2661 or 2517
 22 AWG, PVC Insulated
 Temperature: -40°C to +105°C (-40°F to +221°F)
 Protection: IP 67
 Approvals: U.S.: UL Recognized
 Canada: C-UL Recognized

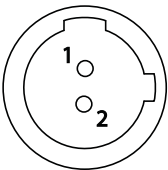
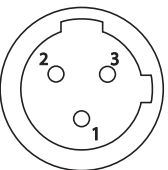
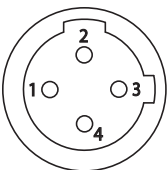
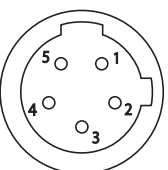
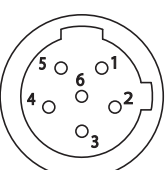


MAC Series (Micro-AC) Cordsets

Micro-AC Series Cordsets

PVC Cable ❖ 22 AWG 300V Female Plugs

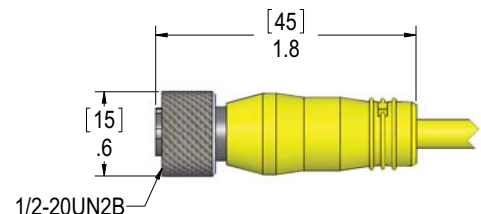
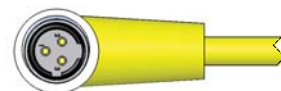
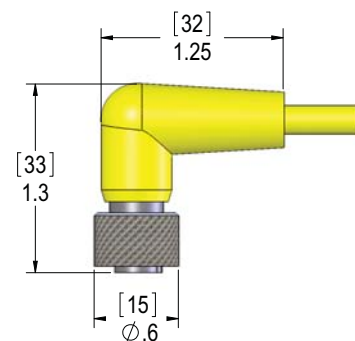


Face View of Female	# of Poles	Color Code	Wire AWG Rating	Length	Female Straight	Female Right Angle
	2	1-Brown 2-Blue	22 300V 4A	3 FT 6 FT 12 FT 20 FT 30 FT	MAC-2FP-3 MAC-2FP-6 MAC-2FP-12 MAC-2FP-20 MAC-2FP-30	MAC-2FP-3-R MAC-2FP-6-R MAC-2FP-12-R MAC-2FP-20-R MAC-2FP-30-R
	3	1-Green/Yellow 2-Red w/ Black 3-Red w/ White	22 300V 4A	3 FT 6 FT 12 FT 20 FT 30 FT	MAC-3FP-3 MAC-3FP-6 MAC-3FP-12 MAC-3FP-20 MAC-3FP-30	MAC-3FP-3-R MAC-3FP-6-R MAC-3FP-12-R MAC-3FP-20-R MAC-3FP-30-R
	4	1-Red w/ Black 2-Red w/ White 3-Red 4-Green/Yellow	22 300V 4A	3 FT 6 FT 12 FT 20 FT 30 FT	MAC-4FP-3 MAC-4FP-6 MAC-4FP-12 MAC-4FP-20 MAC-4FP-30	MAC-4FP-3-R MAC-4FP-6-R MAC-4FP-12-R MAC-4FP-20-R MAC-4FP-30-R
	5	1-Red w/ White 2-Red 3-Green/Yellow 4-Red w/ Yellow 5-Red w/ Black	22 300V 4A	3 FT 6 FT 12 FT 20 FT 30 FT	MAC-5FP-3 MAC-5FP-6 MAC-5FP-12 MAC-5FP-20 MAC-5FP-30	MAC-5FP-3-R MAC-5FP-6-R MAC-5FP-12-R MAC-5FP-20-R MAC-5FP-30-R
	6	1-Red w/ White 2-Red 3-Green/Yellow 4-Red w/ Yellow 5-Red w/ Black 6-Red w/ Blue	22 300V 4A	3 FT 6 FT 12 FT 20 FT 30 FT	MAC-6FP-3 MAC-6FP-6 MAC-6FP-12 MAC-6FP-20 MAC-6FP-30	MAC-6FP-3-R MAC-6FP-6-R MAC-6FP-12-R MAC-6FP-20-R MAC-6FP-30-R

Available options include M12 x 1.0 threads, please consult the factory.
Stainless Steel couplings are available, please consult the factory.

Specifications:

- Body: Oil Resistant Yellow PVC
- Insulator: Polyamide
- Contacts: Copper Alloy with Gold Plating
- Coupling Nut: Nickel Plated Brass
- Cable: Oil Resistant Yellow PVC Jacket,
Rated at 300V, 105°C, Non-Wicking,
Non-Hygroscopic, UL Style 2661 or 2517
22 AWG, PVC Insulated
- O-Ring: BUNA-N
- Temperature: -40°C to +105°C (-40°F to +221°F)
- Protection: IP 67
- Approvals: U.S.: UL Recognized
Canada: C-UL Recognized

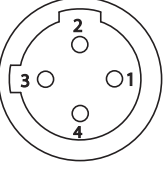


MAC Series (Micro-AC) Cordsets



Micro-AC Series Cordsets

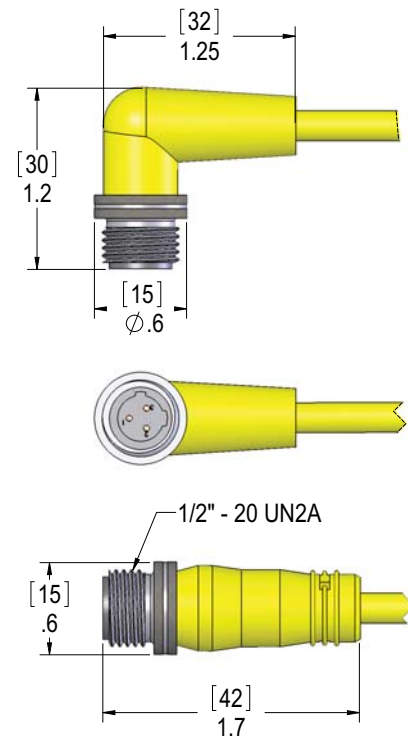
PVC Cable ❖ 18 AWG 300V Male Plugs

Face View of Male	# of Poles	Color Code	Wire AWG Rating	Length	Male Straight	Male Right Angle
	3	1-Green/Yellow 2-Red w/ Black 3-Red w/ White	18 300V 4A	3 FT 6 FT 12 FT 20 FT 30 FT	MAC-3MPX-3 MAC-3MPX-6 MAC-3MPX-12 MAC-3MPX-20 MAC-3MPX-30	MAC-3MPX-3-R MAC-3MPX-6-R MAC-3MPX-12-R MAC-3MPX-20-R MAC-3MPX-30-R
	4	1-Red w/ Black 2-Red w/ White 3-Red 4-Green/Yellow	18 300V 4A	3 FT 6 FT 12 FT 20 FT 30 FT	MAC-4MPX-3 MAC-4MPX-6 MAC-4MPX-12 MAC-4MPX-20 MAC-4MPX-30	MAC-4MPX-3-R MAC-4MPX-6-R MAC-4MPX-12-R MAC-4MPX-20-R MAC-4MPX-30-R

For black cable options, please consult the factory.

Specifications:

- Body: Oil Resistant Yellow PVC
- Insulator: Polyamide
- Contacts: Copper Alloy with Gold Plating
- Coupling Nut: Nickel Plated Brass
- Cable: Oil Resistant Yellow PVC Jacket,
Rated at 300V, 105°C, Non-Wicking,
Non-Hygroscopic, UL Style 2661
- Conductors: 18 AWG Bare Copper, PVC Insulated
- Temperature: -40°C to +105°C (-40°F to +221°F)
- Protection: IP 67
- Approvals: U.S.: UL Recognized
Canada: C-UL Recognized

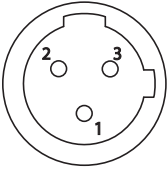
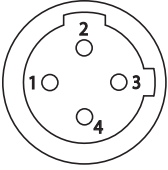


MAC Series (Micro-AC) Cordsets

Micro-AC Series Cordsets

PVC Cable ❖ 18 AWG 300V Female Plugs

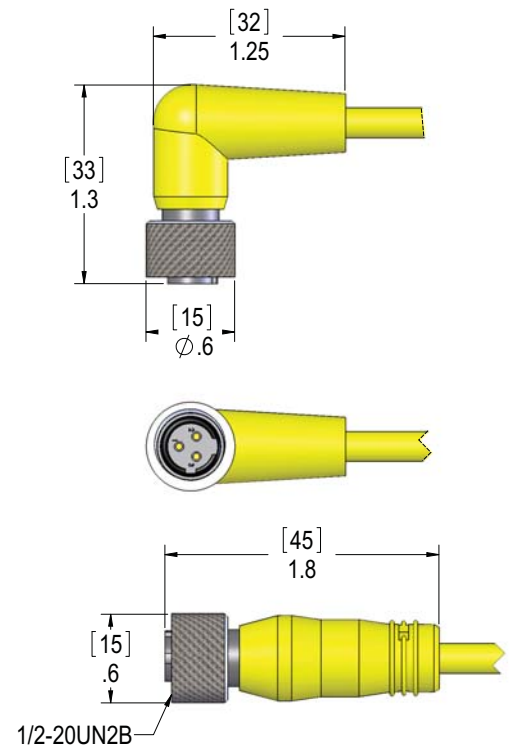


Face View of Female	# of Poles	Color Code	Wire AWG Rating	Length	Female Straight	Female Right Angle
	3	1-Green/Yellow 2-Red w/ Black 3-Red w/ White	18 300V 4A	3 FT 6 FT 12 FT 20 FT 30 FT	MAC-3FPX-3 MAC-3FPX-6 MAC-3FPX-12 MAC-3FPX-20 MAC-3FPX-30	MAC-3FPX-3-R MAC-3FPX-6-R MAC-3FPX-12-R MAC-3FPX-20-R MAC-3FPX-30-R
	4	1-Red w/ Black 2-Red w/ White 3-Red 4-Green/Yellow	18 300V 4A	3 FT 6 FT 12 FT 20 FT 30 FT	MAC-4FPX-3 MAC-4FPX-6 MAC-4FPX-12 MAC-4FPX-20 MAC-4FPX-30	MAC-4FPX-3-R MAC-4FPX-6-R MAC-4FPX-12-R MAC-4FPX-20-R MAC-4FPX-30-R

For black cable options or Stainless Steel version, please consult the factory.

Specifications:

Body:	Oil Resistant Yellow PVC
Insulator:	Polyamide
Contacts:	Copper Alloy with Gold Plating
Coupling Nut:	Nickel Plated Brass
Cable:	Oil Resistant Yellow PVC Jacket, Rated at 300V, 105°C, Non-Wicking, Non-Hygroscopic, UL Style 2661
Conductors:	18 AWG Bare Copper, PVC Insulated
O-Ring:	BUNA-N
Temperature:	-40°C to +105°C (-40°F to +221°F)
Protection:	IP 67
Approvals:	U.S.: UL Recognized Canada: C-UL Recognized

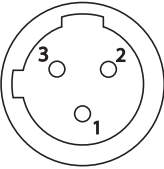
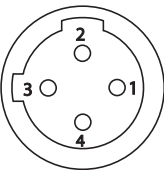
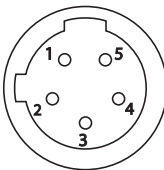
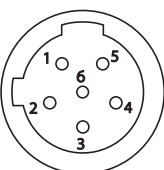


MAC Series (Micro-AC) Cordsets



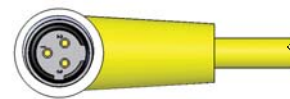
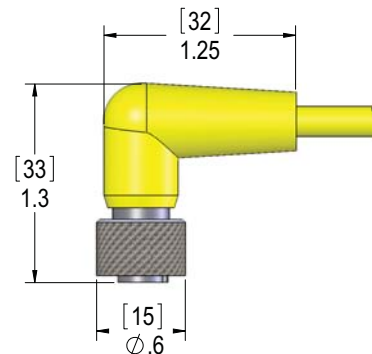
Micro-AC Series Cordsets

PVC Cable with Braided Shield ❖ 22 AWG 300V Plugs

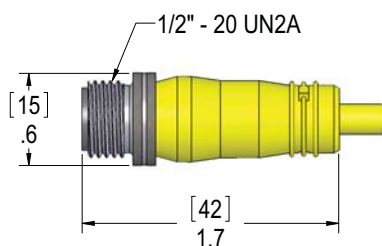
Face View of Male	# of Poles	Color Code	Wire AWG Rating	Length	Female Straight	Female Right Angle	Male Straight
	3	1-Green/Yellow 2-Red w/ Black 3-Red w/ White	22 300V 4A	3 FT 6 FT 12 FT 20 FT 30 FT	MACB-3FP-3 MACB-3FP-6 MACB-3FP-12 MACB-3FP-20 MACB-3FP-30	MACB-3FP-3-R MACB-3FP-6-R MACB-3FP-12-R MACB-3FP-20-R MACB-3FP-30-R	MACB-3MP-3 MACB-3MP-6 MACB-3MP-12 MACB-3MP-20 MACB-3MP-30
	4	1-Red w/ Black 2-Red w/ White 3-Red 4-Green/Yellow	22 300V 4A	3 FT 6 FT 12 FT 20 FT 30 FT	MACB-4FP-3 MACB-4FP-6 MACB-4FP-12 MACB-4FP-20 MACB-4FP-30	MACB-4FP-3-R MACB-4FP-6-R MACB-4FP-12-R MACB-4FP-20-R MACB-4FP-30-R	MACB-4MP-3 MACB-4MP-6 MACB-4MP-12 MACB-4MP-20 MACB-4MP-30
	5	1-Red w/ White 2-Red 3-Green/Yellow 4-Red w/ Yellow 5-Red w/ Black	22 300V 4A	3 FT 6 FT 12 FT 20 FT 30 FT	N/A	N/A	N/A
	6	1-Red w/ White 2-Red 3-Green/Yellow 4-Red w/ Yellow 5-Red w/ Black 6-Red w/ Blue	22 300V 4A	3 FT 6 FT 12 FT 20 FT 30 FT	MACB-6FP-3 MACB-6FP-6 MACB-6FP-12 MACB-6FP-20 MACB-6FP-30	MACB-6FP-3-R MACB-6FP-6-R MACB-6FP-12-R MACB-6FP-20-R MACB-6FP-30-R	MACB-6MP-3 MACB-6MP-6 MACB-6MP-12 MACB-6MP-20 MACB-6MP-30

Specifications:

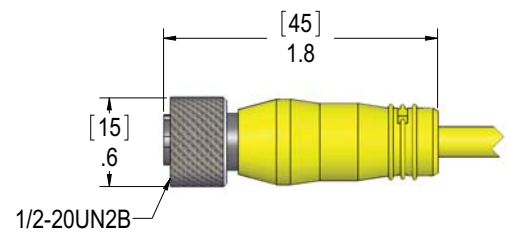
Body: Oil Resistant Yellow PVC
 Insulator: Polyamide
 Contacts: Copper Alloy with Gold Plating
 Coupling Nut: Nickel Plated Brass
 Cable: Oil Resistant Yellow PVC Jacket,
 Metallic Braid, Rated at 300V, 105°C,
 Non-Wicking, Non-Hygroscopic,
 UL Style 2661
 Conductors: 22 AWG, PVC Insulated
 O-Ring: BUNA-N
 Temperature: -40°C to +105°C (-40°F to +221°F)
 Protection: IP 67
 Approvals: U.S.: UL Recognized
 Canada: C-UL Recognized



Female Right Angle Plug



Male Plug



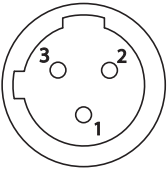
Female Plug

MAC Series (Micro-AC) Cordsets

Micro-AC Series Field Wireable Plugs

18-24 AWG 250V Plugs



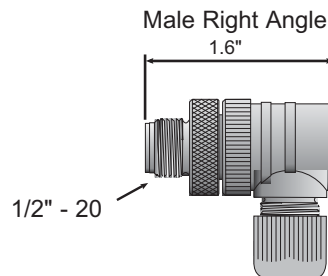
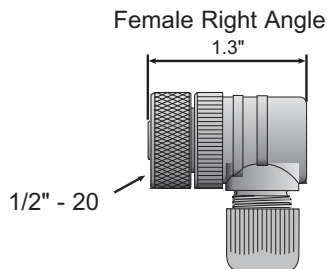
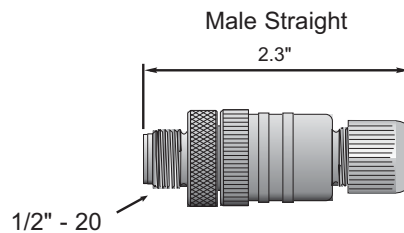
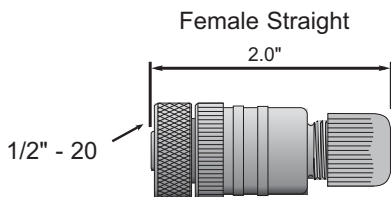
Face View of Male	# of Poles	Wire AWG Rating	PG Size	Cable Range	Female Straight	Female Right Angle	Male Straight	Male Right Angle
	3	18-24 AWG 250V 4A	PG 7 PG 9	4 - 6mm 6 - 8mm	MAC-3FP-FW07 MAC-3FP-FW09	MAC-3FP-FW07-R MAC-3FP-FW09-R	MAC-3MP-FW07 MAC-3MP-FW09	MAC-3MP-FW07-R MAC-3MP-FW09-R

These connectors have screw terminal connections.

Specifications:

Body: Black Polyamide
Insulator: Polyamide
Contacts: Copper Alloy with Gold Plating
Coupling Nut: Nickel Plated Brass
Seal: NBR
Temperature: -25°C to +90°C (-13°F to +194°F)
Protection: IP 67
Approvals: U.S.: UL Recognized
 Canada: C-UL Recognized

Dimensions

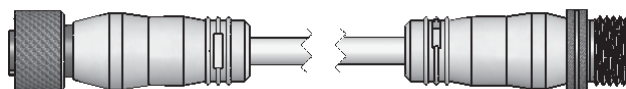


MAC Series (Micro-AC) Cordsets



Micro-AC Series Extensions & Accessories

PVC Cable & PVC Cable with Braided Shield ❖ Closure Caps



MAC Series (Micro-AC) Cordsets

Face View of Male	# of Poles	Length	22 AWG 300V	22 AWG 300V With Braided Shield	18 AWG 300V	Face View of Female
	2	3 FT 6 FT 12 FT 20 FT 30 FT	MAC-2MFP-3 MAC-2MFP-6 MAC-2MFP-12 MAC-2MFP-20 MAC-2MFP-30	MACB-2MFP-3 MACB-2MFP-6 MACB-2MFP-12 MACB-2MFP-20 MACB-2MFP-30	MAC-2MFPX-3 MAC-2MFPX-6 MAC-2MFPX-12 MAC-2MFPX-20 MAC-2MFPX-30	
	3	3 FT 6 FT 12 FT 20 FT 30 FT	MAC-3MFP-3 MAC-3MFP-6 MAC-3MFP-12 MAC-3MFP-20 MAC-3MFP-30	MACB-3MFP-3 MACB-3MFP-6 MACB-3MFP-12 MACB-3MFP-20 MACB-3MFP-30	MAC-3MFPX-3 MAC-3MFPX-6 MAC-3MFPX-12 MAC-3MFPX-20 MAC-3MFPX-30	
	4	3 FT 6 FT 12 FT 20 FT 30 FT	MAC-4MFP-3 MAC-4MFP-6 MAC-4MFP-12 MAC-4MFP-20 MAC-4MFP-30	MACB-4MFP-3 MACB-4MFP-6 MACB-4MFP-12 MACB-4MFP-20 MACB-4MFP-30	MAC-4MFPX-3 MAC-4MFPX-6 MAC-4MFPX-12 MAC-4MFPX-20 MAC-4MFPX-30	
	5	3 FT 6 FT 12 FT 20 FT 30 FT	MAC-5MFP-3 MAC-5MFP-6 MAC-5MFP-12 MAC-5MFP-20 MAC-5MFP-30	MACB-5MFP-3 MACB-5MFP-6 MACB-5MFP-12 MACB-5MFP-20 MACB-5MFP-30	N/A	
	6	3 FT 6 FT 12 FT 20 FT 30 FT	MAC-6MFP-3 MAC-6MFP-6 MAC-6MFP-12 MAC-6MFP-20 MAC-6MFP-30	MACB-6MFP-3 MACB-6MFP-6 MACB-6MFP-12 MACB-6MFP-20 MACB-6MFP-30	N/A	

For extension cables with right angle male and/or female ends, please consult the factory.

Standard Thread Closure Caps			
Part Number: MAC-CAP (For covering receptacles & plugs with male threads)		Part Number: MAC-PLUG (For covering receptacles & plugs with female threads)	
0.170" Diameter Mounting Hole for Securing Chain. Materials: Clear Anodized Aluminum with Nickel Plated Brass Chain and Hardware.			

Black Nylon Closure Cap	
Part Number: MAC-PLUG-PA	

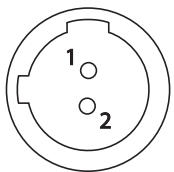


Micro-AC Series Receptacles

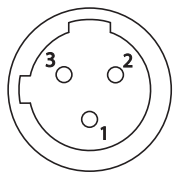
Receptacles..... 10-14
Accessories 15



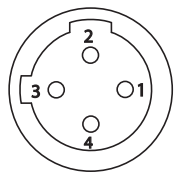
MAC Series (Micro-AC) Receptacles



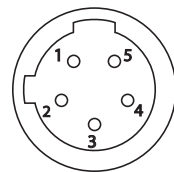
2 Pole



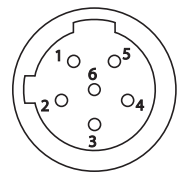
3 Pole



4 Pole



5 Pole



6 Pole



Micro AC Series Receptacles

18, 22 AWG 300V ❖ 1/4"-18 & 1/2"-14 NPT Mounting Threads

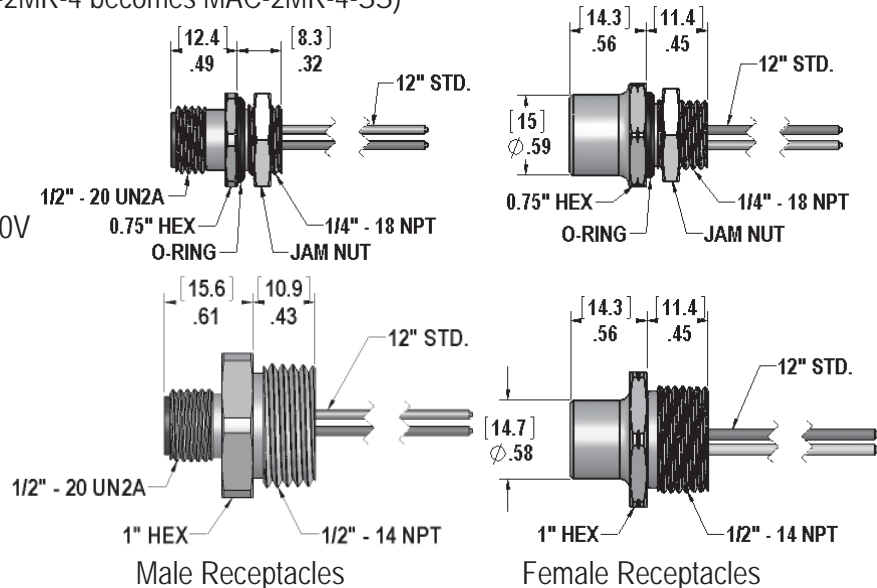
Face View of Male	# of Poles	Color Code	Wire AWG Rating	Male Receptacles		Female Receptacles	
				1/4" - 18 NPT Threads	1/2" - 14 NPT Threads	1/4" - 18 NPT Threads	1/2" - 14 NPT Threads
	2	1-Brown 2-Blue	18 22 300V 4A	MAC-2MR-4-18 MAC-2MR-4	MAC-2MR-2-18 MAC-2MR-2	MAC-2FR-4-18 MAC-2FR-4	MAC-2FR-2-18 MAC-2FR-2
	3	1-Green/Yellow 2-Red w/ Black 3-Red w/ White	18 22 300V 4A	MAC-3MR-4-18 MAC-3MR-4	MAC-3MR-2-18 MAC-3MR-2	MAC-3FR-4-18 MAC-3FR-4	MAC-3FR-2-18 MAC-3FR-2
	4	1-Red w/ Black 2-Red w/ White 3-Red 4-Green/Yellow	18 22 300V 4A	MAC-4MR-4-18 MAC-4MR-4	MAC-4MR-2-18 MAC-4MR-2	MAC-4FR-4-18 MAC-4FR-4	MAC-4FR-2-18 MAC-4FR-2
	5	1-Red w/ White 2-Red 3-Green/Yellow 4-Red w/ Yellow 5-Red w/ Black	18 22 300V 4A	MAC-5MR-4-18 MAC-5MR-4	MAC-5MR-2-18 MAC-5MR-2	MAC-5FR-4	MAC-5FR-2
	6	1-Red w/ White 2-Red 3-Green/Yellow 4-Red w/ Yellow 5-Red w/ Black 6-Red w/ Blue	22 300V 4A	MAC-6MR-4	MAC-6MR-2	MAC-6FR-4	MAC-6FR-2

MAC Series (Micro-AC) Receptacles

12" leads are standard. Longer lead lengths are available, please consult the factory for part numbers. For Stainless Steel shell, add a "-SS" suffix to the part number (MAC-2MR-4 becomes MAC-2MR-4-SS)

Specifications:

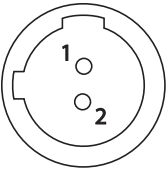
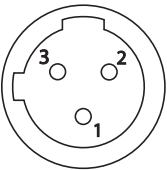
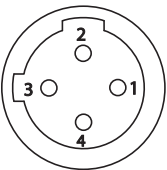
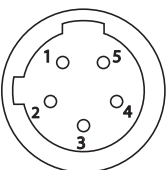
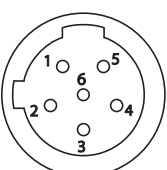
- Shell: 1/2" NPT: Clear Anodized Aluminum
1/4" NPT: Nickel Plated Brass
- Insulator: Polyamide
- Wire: 18 & 22 AWG: UL Style 1007/1569, 300V
- Contacts: Copper Alloy with Gold Plating
- O-Ring: BUNA-N
- Jam Nut: Steel Zinc Plate
- Temperature: -40°C to 105°C (-40°F to +221°F)
- Protection: IP 67
- Approvals: U.S.: UL Recognized
Canada: C-UL Recognized



Micro AC Series Receptacles

Male ❖ 18, 22 AWG 300V ❖ PG Mounting Threads



Face View of Male	# of Poles	Color Code	Wire AWG Rating	Male Receptacles	
				PG 9 Threads	PG 13.5 Threads
	2	1-Brown 2-Blue	18 22 300V 4A	MAC-2MR-PG9-18 MAC-2MR-PG9	MAC-2MR-PG13.5-18 MAC-2MR-PG13.5
	3	1-Green/Yellow 2-Red w/ Black 3-Red w/ White	18 22 300V 4A	MAC-3MR-PG9-18 MAC-3MR-PG9	MAC-3MR-PG13.5-18 MAC-3MR-PG13.5
	4	1-Red w/ Black 2-Red w/ White 3-Red 4-Green/Yellow	18 22 300V 4A	MAC-4MR-PG9-18 MAC-4MR-PG9	MAC-4MR-PG13.5-18 MAC-4MR-PG13.5
	5	1-Red w/ White 2-Red 3-Green/Yellow 4-Red w/ Yellow 5-Red w/ Black	18 22 300V 4A	MAC-5MR-PG9-18 MAC-5MR-PG9	MAC-5MR-PG13.5-18 MAC-5MR-PG13.5
	6	1-Red w/ White 2-Red 3-Green/Yellow 4-Red w/ Yellow 5-Red w/ Black 6-Red w/ Blue	22 300V 4A	MAC-6MR-PG9	MAC-6MR-PG13.5

12" leads are standard. Longer lengths are available, please consult the factory for part numbers.

Specifications:

Shell: PG 9: Nickel Plated Brass
PG 13.5: Clear Anodized Aluminum

Insulator: Polyamide

Wire: 18 & 22 AWG: UL Style 1007/1569, 300V

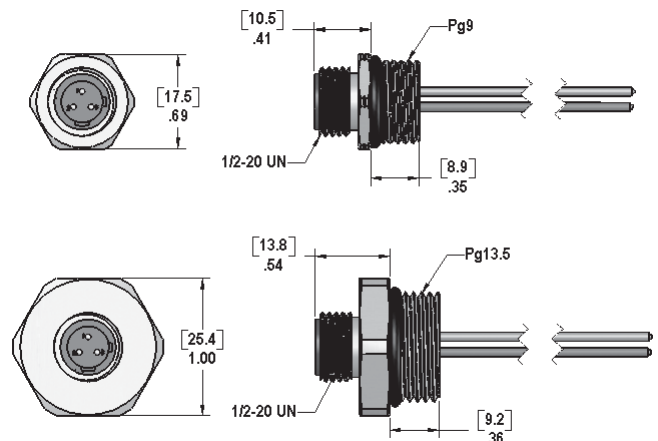
Contacts: Copper Alloy with Gold Plating

O-Ring: BUNA-N

Temperature: -40°C to 105°C (-40°F to +221°F)

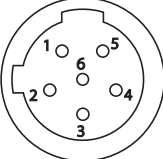
Protection: IP 67

Approvals: U.S.: UL Recognized
Canada: C-UL Recognized



Micro AC Series Receptacles

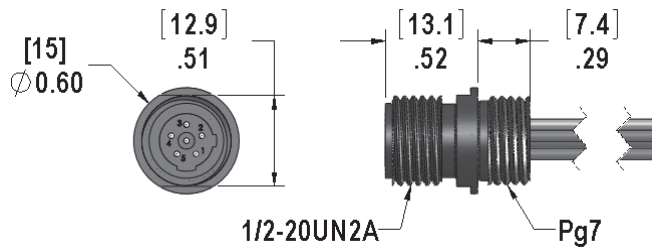
Male ❖ 22 AWG 300V ❖ PG 7 Mounting Threads ❖ Plastic Body

Face View of Male	# of Poles	Color Code	Wire AWG Rating	Male Receptacles
	6	1-Red w/ White 2-Red 3-Green/Yellow 4-Red w/ Yellow 5-Red w/ Black 6-Red w/ Blue	22 300V 4A	MAC-6MR-PG7-PASW

12" leads are standard. Longer lengths are available, please consult the factory for part numbers.

Specifications:

- Shell: Black Polyamide
- Insulator: Polyamide
- Wire: 18 & 22 AWG: UL Style 1007/1569, 300V
- Contacts: Copper Alloy with Gold Plating
- Temperature: -40°C to 105°C (-40°F to +221°F)
- Protection: IP 67
- Approvals: U.S.: UL Pending
Canada: C-UL Pending



*** This shell is made from black polyamide.**

Micro AC Series Receptacles

18, 22 AWG 300V ❖ Metric Mounting Threads



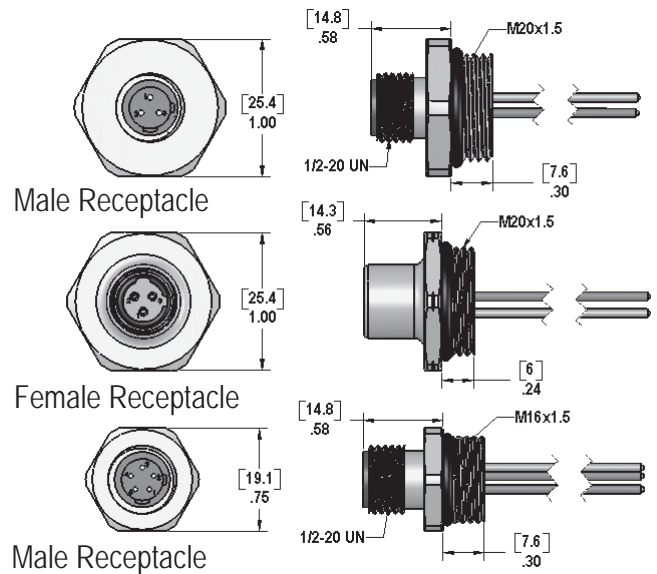
Face View of Male	# of Poles	Color Code	Wire AWG Rating	Male Receptacles		Female Receptacles
				M16 x 1.5 Threads	M20 x 1.5 Threads	M20 x 1.5 Threads
	2	1-Brown 2-Blue	18 22 300V 4A	MAC-2MR-M16-18 MAC-2MR-M16	MAC-2MR-M20-18 MAC-2MR-M20	MAC-2FR-M20-18 MAC-2FR-M20
	3	1-Green/Yellow 2-Red w/ Black 3-Red w/ White	18 22 300V 4A	MAC-3MR-M16-18 MAC-3MR-M16	MAC-3MR-M20-18 MAC-3MR-M20	MAC-3FR-M20-18 MAC-3FR-M20
	4	1-Red w/ Black 2-Red w/ White 3-Red 4-Green/Yellow	18 22 300V 4A	MAC-4MR-M16-18 MAC-4MR-M16	MAC-4MR-M20-18 MAC-4MR-M20	MAC-4FR-M20-18 MAC-4FR-M20
	5	1-Red w/ White 2-Red 3-Green/Yellow 4-Red w/ Yellow 5-Red w/ Black	18 22 300V 4A	MAC-5MR-M16-18 MAC-5MR-M16	MAC-5MR-M20-18 MAC-5MR-M20	MAC-5FR-M20
	6	1-Red w/ White 2-Red 3-Green/Yellow 4-Red w/ Yellow 5-Red w/ Black 6-Red w/ Blue	22 300V 4A	MAC-6MR-M16	MAC-6MR-M20	MAC-6FR-M20

MAC Series (Micro-AC) Receptacles

12" leads are standard. Longer lengths are available, please consult the factory for part numbers.

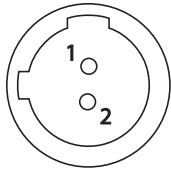
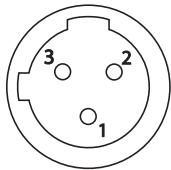
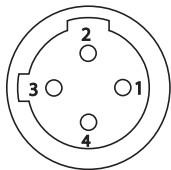
Specifications:

- Shell: Clear Anodized Aluminum
- Insulator: Polyamide
- Wire: 18 & 22 AWG: UL Style 1007/1569, 300V
- Contacts: Copper Alloy with Gold Plating
- O-Ring: BUNA-N
- Temperature: -40°C to 105°C (-40°F to +221°F)
- Protection: IP 67
- Approvals: U.S.: UL Recognized
Canada: C-UL Recognized



Micro AC Series Receptacles

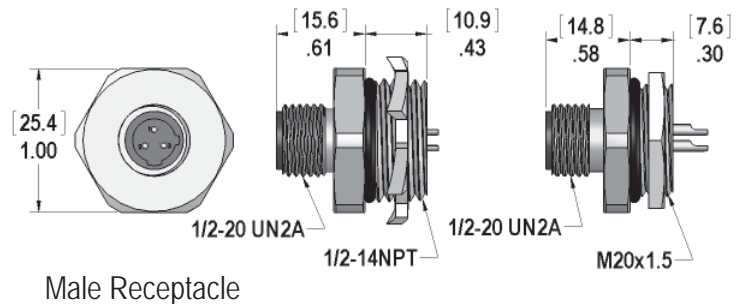
Solder Cup Receptacles ❖ 1/2"-14 NPT Mounting Threads ❖ M20 Mounting Threads

Face View of Male	# of Poles	Wire AWG Rating	Male Receptacles		Female Receptacles	
			1/2" - 14 NPT Threads	M20 Threads	1/2" - 14 NPT Threads	M20 Threads
	2	18 MAX 300V 4A MAX	MAC-2MR-2-SC	MAC-2MR-M20-SC	MAC-2FR-2-SC	MAC-2FR-M20-SC
	3	18 MAX 300V 4A MAX	MAC-3MR-2-SC	MAC-3MR-M20-SC	MAC-3FR-2-SC	MAC-3FR-M20-SC
	4	18 MAX 300V 4A MAX	MAC-4MR-2-SC	MAC-4MR-M20-SC	MAC-4FR-2-SC	MAC-4FR-M20-SC

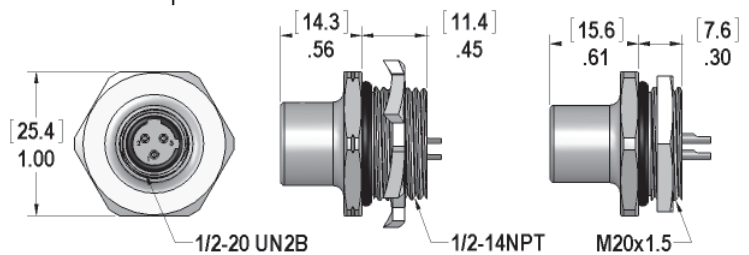
Other mounting threads are available, please consult the factory.

Specifications:

Shell: Clear Anodized Aluminum
 Insulator: Polyamide
 Contacts: Copper Alloy with Gold Plating
 O-Ring: BUNA-N
 Temperature: -40°C to 105°C (-40°F to +221°F)
 Protection: IP 67



Male Receptacle



Female Receptacle

Micro AC Series Accessories

Jam Nuts: NPT, PG & Metric Threads



Jam Nuts: NPT, PG & Metric Threads					
Part #	Thread	Figure	A	Thickness	Material
214M	1/4" NPT	1	17.3 mm	3.3 mm	Steel Zinc Plate
212M	1/2" NPT	2	28.5 mm	3.3 mm	Steel Zinc Plate
209M	PG 9	1	18 mm	3.0 mm	Brass Nickel Plate
213M	PG 13.5	1	21 mm	3.0 mm	Brass Nickel Plate
2M16M	M16 x 1.5	1	19 mm	2.8 mm	Brass Nickel Plate
2M20M	M20 x 1.5	1	24 mm	3.0 mm	Brass Nickel Plate

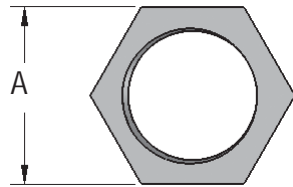


Figure 1

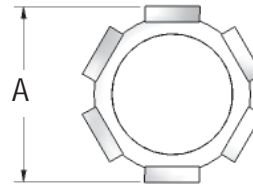


Figure 2

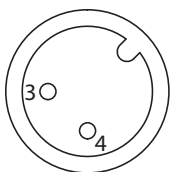




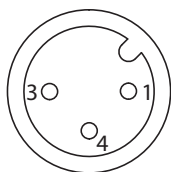
MDC (Micro-DC) Series

Cordsets 2-19

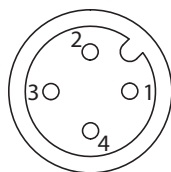
Accessories 20



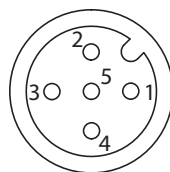
2 Pole



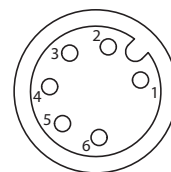
3 Pole



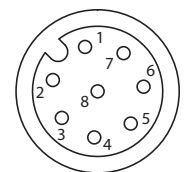
4 Pole



5 Pole



6 Pole

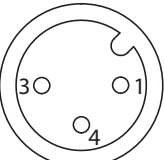


8 Pole



Micro-DC Series (M12) Cordsets

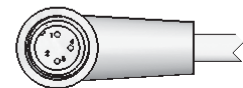
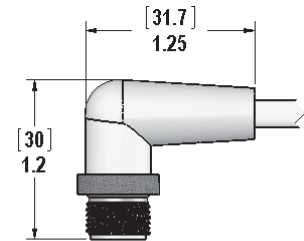
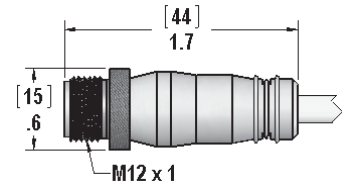
PVC Cable ❖ 22 AWG 300V Male Plugs

Face View of Male	# of Poles	Color Code	Wire AWG Rating	Length	Male Straight	Male Right Angle
	2	1-Not Use 2-Not Used 3-Brown 4-Blue	22 300V 4A	1 M 2 M 4 M 5 M 10 M	MDC-2MP-1M MDC-2MP-2M MDC-2MP-4M MDC-2MP-5M MDC-2MP-10M	MDC-2MP-1M-R MDC-2MP-2M-R MDC-2MP-4M-R MDC-2MP-5M-R MDC-2MP-10M-R
	3	1-Brown 2-Not Used 3-Blue 4-Black	22 300V 4A	1 M 2 M 4 M 5 M 10 M	MDC-3MP-1M MDC-3MP-2M MDC-3MP-4M MDC-3MP-5M MDC-3MP-10M	MDC-3MP-1M-R MDC-3MP-2M-R MDC-3MP-4M-R MDC-3MP-5M-R MDC-3MP-10M-R
	4	1-Brown 2-White 3-Blue 4-Black	22 300V 4A	1 M 2 M 4 M 5 M 10 M	MDC-4MP-1M MDC-4MP-2M MDC-4MP-4M MDC-4MP-5M MDC-4MP-10M	MDC-4MP-1M-R MDC-4MP-2M-R MDC-4MP-4M-R MDC-4MP-5M-R MDC-4MP-10M-R
	5	1-Brown 2-White 3-Blue 4-Black 5-Gray	22 300V 4A	1 M 2 M 4 M 5 M 10 M	MDC-5MP-1M MDC-5MP-2M MDC-5MP-4M MDC-5MP-5M MDC-5MP-10M	MDC-5MP-1M-R MDC-5MP-2M-R MDC-5MP-4M-R MDC-5MP-5M-R MDC-5MP-10M-R

Black and gray cables are available on some versions, please consult the factory. For Stainless Steel versions, add a "-SS" suffix (e.g. MDC-5MP-1M becomes MDC-5MP-1M-SS).

Specifications:

Body: Oil Resistant Yellow PVC
Insulator: Polyamide
Contacts: Copper Alloy with Gold Plating
Coupling Nut: Nickel Plated Brass
Cable: Oil Resistant Yellow PVC Jacket,
 Rated at 300V, 105°C, Non-Wicking,
 Non-Hygroscopic, UL Style 2661 or 2517
Conductors: 22 AWG, PVC Insulated
Temperature: -40°C to +105°C (-40°F to +221°F)
Protection: IP 67
Approvals: U.S.: UL Recognized
 Canada: C-UL Recognized



MDC Series (Micro-DC) Cordsets

Micro-DC Series (M12) Cordsets

PVC Cable ❖ 22 AWG 300V Female Plugs

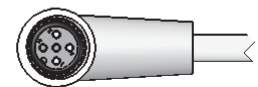
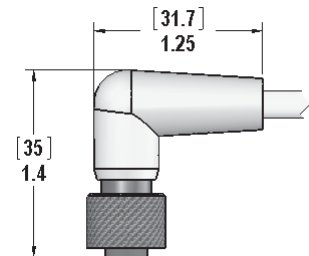
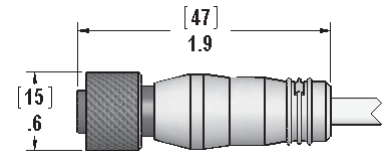


Face View of Female	# of Poles	Color Code	Wire AWG Rating	Length	Female Straight	Female Right Angle
	2	1-Not Use 2-Not Used 3-Brown 4-Blue 5-Not Used	22 300V 4A	1 M 2 M 4 M 5 M 10 M	MDC-2FP-1M MDC-2FP-2M MDC-2FP-4M MDC-2FP-5M MDC-2FP-10M	MDC-2FP-1M-R MDC-2FP-2M-R MDC-2FP-4M-R MDC-2FP-5M-R MDC-2FP-10M-R
	3	1-Brown 2-Not Used 3-Blue 4-Black 5-Not Used	22 300V 4A	1 M 2 M 4 M 5 M 10 M	MDC-3FP-1M MDC-3FP-2M MDC-3FP-4M MDC-3FP-5M MDC-3FP-10M	MDC-3FP-1M-R MDC-3FP-2M-R MDC-3FP-4M-R MDC-3FP-5M-R MDC-3FP-10M-R
	4	1-Brown 2-White 3-Blue 4-Black 5-Not Used	22 300V 4A	1 M 2 M 4 M 5 M 10 M	MDC-4FP-1M MDC-4FP-2M MDC-4FP-4M MDC-4FP-5M MDC-4FP-10M	MDC-4FP-1M-R MDC-4FP-2M-R MDC-4FP-4M-R MDC-4FP-5M-R MDC-4FP-10M-R
	5	1-Brown 2-White 3-Blue 4-Black 5-Gray	22 300V 4A	1 M 2 M 4 M 5 M 10 M	MDC-5FP-1M MDC-5FP-2M MDC-5FP-4M MDC-5FP-5M MDC-5FP-10M	MDC-5FP-1M-R MDC-5FP-2M-R MDC-5FP-4M-R MDC-5FP-5M-R MDC-5FP-10M-R

Black and gray cables are available on some versions, please consult the factory. For Stainless Steel versions, add a "-SS" suffix (e.g. MDC-5FP-1M becomes MDC-5FP-1M-SS). Custom lengths are also available, please consult the factory.

Specifications:

Body: Oil Resistant Yellow PVC
Insulator: Polyamide
Contacts: Copper Alloy with Gold Plating
Coupling Nut: Nickel Plated Brass
Cable: Oil Resistant Yellow PVC Jacket,
 Rated at 300V, 105°C, Non-Wicking,
 Non-Hygroscopic, UL Style 2661 or 2517
Conductors: 22 AWG, PVC Insulated
O-Ring: BUNA-N
Temperature: -40°C to +105°C (-40°F to +221°F)
Protection: IP 67
Approvals: U.S.: UL Recognized
 Canada: C-UL Recognized



MDC Series (Micro-DC) Cordsets



Micro-DC Series (M12) Cordsets

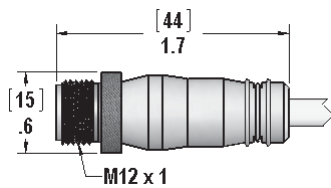
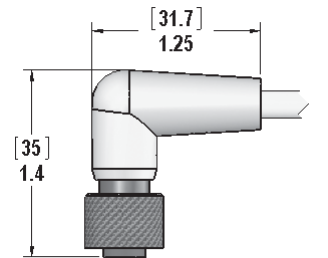
PVC Cable ❖ 18 AWG 300V Plugs

Face View of Male	# of Poles	Color Code	Wire AWG Rating	Length	Female Straight	Female Right Angle	Male Straight
	3	1-Brown 2-Not Used 3-Blue 4-Black	18 300V 4A	1 M 2 M 4 M 5 M 10 M	MDC-3FPX-1M MDC-3FPX-2M MDC-3FPX-4M MDC-3FPX-5M MDC-3FPX-10M	MDC-3FPX-1M-R MDC-3FPX-2M-R MDC-3FPX-4M-R MDC-3FPX-5M-R MDC-3FPX-10M-R	MDC-3MPX-1M MDC-3MPX-2M MDC-3MPX-4M MDC-3MPX-5M MDC-3MPX-10M
	4	1-Brown 2-White 3-Blue 4-Black	18 300V 4A	1 M 2 M 4 M 5 M 10 M	MDC-4FPX-1M MDC-4FPX-2M MDC-4FPX-4M MDC-4FPX-5M MDC-4FPX-10M	MDC-4FPX-1M-R MDC-4FPX-2M-R MDC-4FPX-4M-R MDC-4FPX-5M-R MDC-4FPX-10M-R	MDC-4MPX-1M MDC-4MPX-2M MDC-4MPX-4M MDC-4MPX-5M MDC-4MPX-10M
	5	1-Brown 2-White 3-Blue 4-Black 5-Gray	18 300V 4A	1 M 2 M 4 M 5 M 10 M	MDC-5FPX-1M MDC-5FPX-2M MDC-5FPX-4M MDC-5FPX-5M MDC-5FPX-10M	MDC-5FPX-1M-R MDC-5FPX-2M-R MDC-5FPX-4M-R MDC-5FPX-5M-R MDC-5FPX-10M-R	MDC-5MPX-1M MDC-5MPX-2M MDC-5MPX-4M MDC-5MPX-5M MDC-5MPX-10M

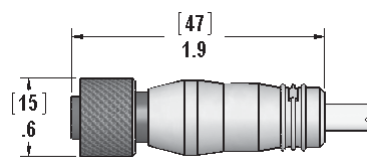
3-5 Pole females will have all 5 contact holes in the connector. For Stainless Steel versions, add a "-SS" suffix (e.g. MDC-5FPX-1M becomes MDC-5FPX-1M-SS).

Specifications:

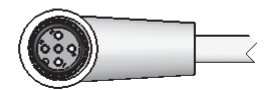
Body: Oil Resistant Yellow PVC
 Insulator: Polyamide
 Contacts: Copper Alloy with Gold Plating
 Coupling Nut: Nickel Plated Brass
 Cable: Oil Resistant Yellow PVC Jacket,
 Rated at 300V, 105°C, Non-Wicking,
 Non-Hygroscopic, UL Style 2661 or 2517
 Conductors: 18 AWG Bare Copper, PVC Insulated
 O-Ring: BUNA-N
 Temperature: -40°C to +105°C (-40°F to +221°F)
 Protection: IP 67
 Approvals: U.S.: UL Recognized
 Canada: C-UL Recognized



Male Straight



Female Straight



Female Right Angle

MDC Series (Micro-DC) Cordsets

Micro-DC Series (M12) Cordsets

Polyurethane Cable ❖ 18, 22 & 24 AWG Plugs



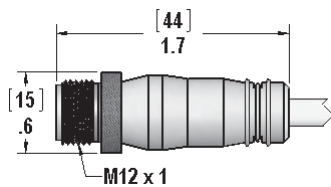
Face View of Male	# of Poles	Color Code	Wire AWG Rating	Length	Female Straight	Female Right Angle	Male Straight
	3	1-Brown 2-Not Used 3-Blue 4-Black	22 300V 4A	1 M 2 M 4 M 5 M 10 M	MDCP-3FP-1M MDCP-3FP-2M MDCP-3FP-4M MDCP-3FP-5M MDCP-3FP-10M	MDCP-3FP-1M-R MDCP-3FP-2M-R MDCP-3FP-4M-R MDCP-3FP-5M-R MDCP-3FP-10M-R	MDCP-3MP-1M MDCP-3MP-2M MDCP-3MP-4M MDCP-3MP-5M MDCP-3MP-10M
	4	1-Brown 2-White 3-Blue 4-Black	22 300V 4A	1 M 2 M 4 M 5 M 10 M	MDCP-4FP-1M MDCP-4FP-2M MDCP-4FP-4M MDCP-4FP-5M MDCP-4FP-10M	MDCP-4FP-1M-R MDCP-4FP-2M-R MDCP-4FP-4M-R MDCP-4FP-5M-R MDCP-4FP-10M-R	MDCP-4MP-1M MDCP-4MP-2M MDCP-4MP-4M MDCP-4MP-5M MDCP-4MP-10M
	4	1-Brown 2-White 3-Blue 4-Black	18 300V 4A	1 M 2 M 4 M 5 M 10 M	MDCP-4FPX-1M MDCP-4FPX-2M MDCP-4FPX-4M MDCP-4FPX-5M MDCP-4FPX-10M	MDCP-4FPX-1M-R MDCP-4FPX-2M-R MDCP-4FPX-4M-R MDCP-4FPX-5M-R MDCP-4FPX-10M-R	MDCP-4MPX-1M MDCP-4MPX-2M MDCP-4MPX-4M MDCP-4MPX-5M MDCP-4MPX-10M
	5	1-Brown 2-White 3-Blue 4-Black 5-Gray	22 300V 4A	1 M 2 M 4 M 5 M 10 M	MDCP-5FP-1M MDCP-5FP-2M MDCP-5FP-4M MDCP-5FP-5M MDCP-5FP-10M	MDCP-5FP-1M-R MDCP-5FP-2M-R MDCP-5FP-4M-R MDCP-5FP-5M-R MDCP-5FP-10M-R	MDCP-5MP-1M MDCP-5MP-2M MDCP-5MP-4M MDCP-5MP-5M MDCP-5MP-10M
	8	1-White 2-Brown 3-Green 4-Yellow 5-Gray 6-Pink 7-Blue 8-Red	24 60V 2A	2 M 5 M 10 M	MDCP-8FP-2M MDCP-8FP-5M MDCP-8FP-10M	MDCP-8FP-2M-R MDCP-8FP-5M-R MDCP-8FP-10M-R	MDCP-8MP-2M MDCP-8MP-5M MDCP-8MP-10M

MDC Series (Micro-DC) Cordsets

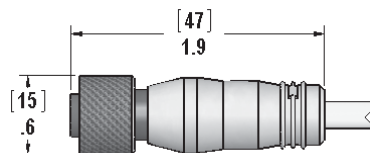
3-5 Pole females will have all 5 contact holes in the connector.

Specifications:

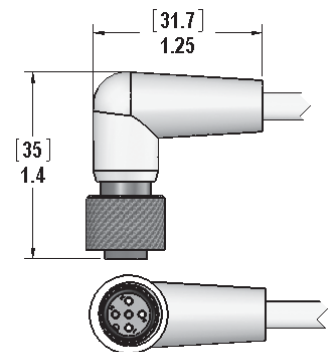
Body:	Oil Resistant Yellow PUR	Conductors:	18, 22 AWG, PVC Insulated
Insulator:	Polyamide		24 AWG for 8 Conductors
Contacts:	Copper Alloy with Gold Plating	O-Ring:	BUNA-N
Coupling Nut:	Nickel Plated Brass	Temperature:	-40°C to +80°C (-40°F to +176°F)
Cable:	Oil Resistant Yellow PUR Jacket, Rated at 300V, 80°C, Non-Wicking, Non-Hygroscopic, 8 Conductor has a Foil Shield w/ Drain Wire, UL Style 20233		



Male Straight



Female Straight



Female Right Angle H-5



Micro-DC Series (M12) Cordsets

PVC Cable with Foil Shield ❖ 22, 24 AWG 300V Shielded Male Plugs

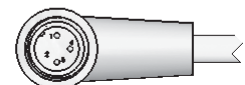
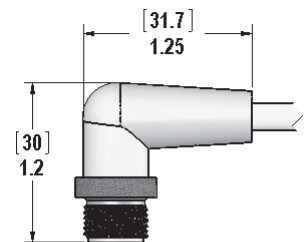
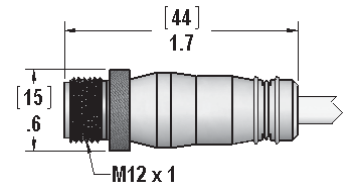
MDC Series (Micro-DC) Cordsets

Face View of Male	# of Poles	Color Code	Wire AWG Rating	Length	Male Straight	Male Right Angle**
	3	1-Brown 2-Not Used 3-Blue 4-Black	22 300V 4A	1 M 2 M 4 M 5 M 10 M	MDCM-3MP-1M MDCM-3MP-2M MDCM-3MP-4M MDCM-3MP-5M MDCM-3MP-10M	MDCM-3MP-1M-R MDCM-3MP-2M-R MDCM-3MP-4M-R MDCM-3MP-5M-R MDCM-3MP-10M-R
	4	1-Brown 2-White 3-Blue 4-Black	22 300V 4A	1 M 2 M 4 M 5 M 10 M	MDCM-4MP-1M MDCM-4MP-2M MDCM-4MP-4M MDCM-4MP-5M MDCM-4MP-10M	MDCM-4MP-1M-R MDCM-4MP-2M-R MDCM-4MP-4M-R MDCM-4MP-5M-R MDCM-4MP-10M-R
	5	1-Brown 2-White 3-Blue 4-Black 5-Gray	22 300V 4A	1 M 2 M 4 M 5 M 10 M	MDCM-5MP-1M MDCM-5MP-2M MDCM-5MP-4M MDCM-5MP-5M MDCM-5MP-10M	MDCM-5MP-1M-R MDCM-5MP-2M-R MDCM-5MP-4M-R MDCM-5MP-5M-R MDCM-5MP-10M-R
	6	1-Brown 2-White 3-Blue 4-Black 5-Gray 6-Pink	24 60V 2A	1 M 2 M 4 M 5 M 10 M	MDCM-6MP-1M MDCM-6MP-2M MDCM-6MP-4M MDCM-6MP-5M MDCM-6MP-10M	MDCM-6MP-1M-R MDCM-6MP-2M-R MDCM-6MP-4M-R MDCM-6MP-5M-R MDCM-6MP-10M-R

The shield is not connected to the coupling nut. **Non-Stock Item, Minimum orders may apply.

Specifications:

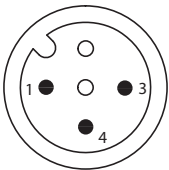
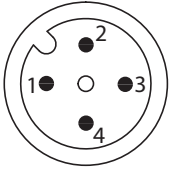
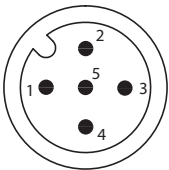
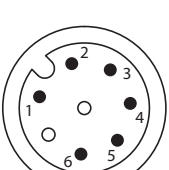
- Body: Oil Resistant Yellow PVC
- Insulator: Polyamide
- Contacts: Copper Alloy with Gold Plating
- Coupling Nut: Nickel Plated Brass
- Cable: Oil Resistant Yellow PVC Jacket,
Foil Mylar Shield w/ 24 AWG Drain Wire,
Rated at 300V, 105°C, Non-Wicking,
Non-Hygroscopic, UL Style 2661 or 2517
- Conductors: 22 or 24 AWG, PVC Insulated
- O-Ring: BUNA-N
- Temperature: -40°C to +105°C (-40°F to +221°F)
- Protection: IP 67
- Approvals: U.S.: UL Recognized
Canada: C-UL Recognized



Micro-DC Series (M12) Cordsets

PVC Cable with Foil Shield ❖ 22, 24 AWG 300V Shielded Female Plugs

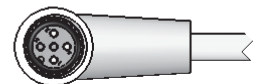
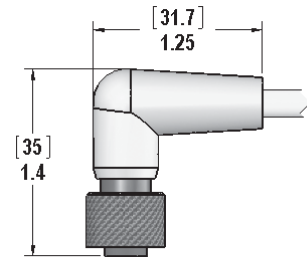
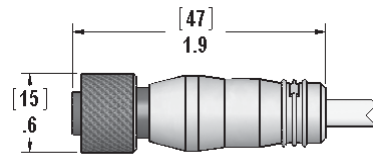


Face View of Female	# of Poles	Color Code	Wire AWG Rating	Length	Female Straight	Female Right Angle
	3	1-Brown 2-Not Used 3-Blue 4-Black 5-Not Used	22 300V 4A	1 M 2 M 4 M 5 M 10 M	MDCM-3FP-1M MDCM-3FP-2M MDCM-3FP-4M MDCM-3FP-5M MDCM-3FP-10M	MDCM-3FP-1M-R MDCM-3FP-2M-R MDCM-3FP-4M-R MDCM-3FP-5M-R MDCM-3FP-10M-R
	4	1-Brown 2-White 3-Blue 4-Black 5-Not Used	22 300V 4A	1 M 2 M 4 M 5 M 10 M	MDCM-4FP-1M MDCM-4FP-2M MDCM-4FP-4M MDCM-4FP-5M MDCM-4FP-10M	MDCM-4FP-1M-R MDCM-4FP-2M-R MDCM-4FP-4M-R MDCM-4FP-5M-R MDCM-4FP-10M-R
	5	1-Brown 2-White 3-Blue 4-Black 5-Gray	22 300V 4A	1 M 2 M 4 M 5 M 10 M	MDCM-5FP-1M MDCM-5FP-2M MDCM-5FP-4M MDCM-5FP-5M MDCM-5FP-10M	MDCM-5FP-1M-R MDCM-5FP-2M-R MDCM-5FP-4M-R MDCM-5FP-5M-R MDCM-5FP-10M-R
	6	1-Brown 2-White 3-Blue 4-Black 5-Gray 6-Pink	24 60V 2A	1 M 2 M 4 M 5 M 10 M	MDCM-6FP-1M MDCM-6FP-2M MDCM-6FP-4M MDCM-6FP-5M MDCM-6FP-10M	MDCM-6FP-1M-R MDCM-6FP-2M-R MDCM-6FP-4M-R MDCM-6FP-5M-R MDCM-6FP-10M-R

3-5 Pole females will have all 5 contact holes in the connector. The shield is not connected to the coupling nut.

Specifications:

Body: Oil Resistant Yellow PVC
Insulator: Polyamide
Contacts: Copper Alloy with Gold Plating
Coupling Nut: Nickel Plated Brass
Cable: Oil Resistant Yellow PVC Jacket,
 Foil Mylar Shield w/ 24 AWG Drain Wire,
 Rated at 300V, 105°C, Non-Wicking,
 Non-Hygroscopic, UL Style 2661 or 2517
Conductors: 22 or 24 AWG, PVC Insulated
O-Ring: BUNA-N
Temperature: -40°C to +105°C (-40°F to +221°F)
Protection: IP 67
Approvals: U.S.: UL Recognized
 Canada: C-UL Recognized



MDC Series (Micro-DC) Cordsets



Micro-DC Series (M12) Cordsets

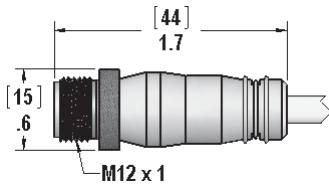
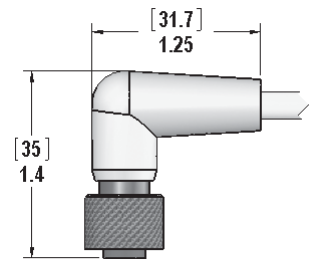
TPE Jacket ❖ Plugs ❖ Male-Female Extension Cable

Face View of Male	# of Poles	Color Code	Wire AWG Rating	Length	Female Plugs		Male Plugs
					Straight	Right Angle	Straight
	4	1-Brown	22	1 M	MDCW-4FP-1M	MDCW-4FP-1M-R	MDCW-4MP-1M
		2-White		2 M	MDCW-4FP-2M	MDCW-4FP-2M-R	MDCW-4MP-2M
		3-Blue	300V 4A	4 M	MDCW-4FP-4M	MDCW-4FP-4M-R	MDCW-4MP-4M
		4-Black		5 M	MDCW-4FP-5M	MDCW-4FP-5M-R	MDCW-4MP-5M
		5-Not Used	10 M	MDCW-4FP-10M	MDCW-4FP-10M-R	MDCW-4MP-10M	
Face View of Male	# of Poles	Color Code	Wire AWG Rating	Length	Male - Female Extension Cables		Face View of Female
	4	1-Brown	22	1 M	MDCW-4MFP-1M		
		2-White		2 M	MDCW-4MFP-2M		
		3-Blue	300V 4A	4 M	MDCW-4MFP-4M		
		4-Black		5 M	MDCW-4MFP-5M		
		5-Not Used	10 M	MDCW-4MFP-10M			

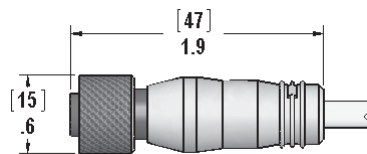
Females will have all 5 contact holes in the connector. For Stainless Steel versions, add a "-SS" suffix (e.g. MDCW-4FP-1M becomes MDCW-4FP-1M-SS).

Specifications:

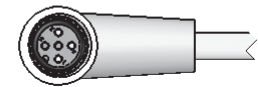
- Body: Oil Resistant Yellow PVC
- Insulator: Polyamide
- Contacts: Copper Alloy with Gold Plating
- Coupling Nut: Nickel Plated Brass
- Cable: Weld Slag Resistant Yellow TPE Jacket, Rated at 300V, 105°C, Non-Wicking, Non-Hygroscopic, 4 Conductors, AWM Style
- Conductors: 22 AWG, PVC Insulated
- O-Ring: BUNA-N
- Temperature: -40°C to +105°C (-40°F to +221°F)



Male Straight



Female Straight



Female Right Angle

Micro DC Series (M12)

Continuous Flex Cable ❖ Hi-Flex TPE Cable ❖ 22 AWG 300V

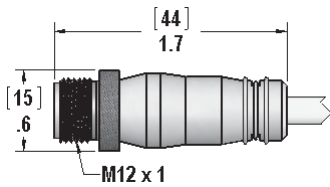
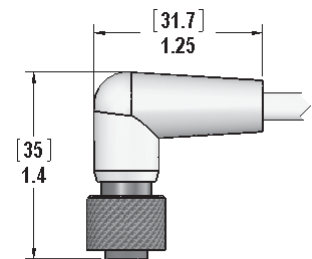


Face View of Male	# of Poles	Color Code	Wire AWG Rating	Length	Female Straight	Female Right Angle	Male Straight
	4	1-Brown 2-White 3-Blue 4-Black 5-Not Used	22 300V 4A	1 M 2 M 4 M 5 M 10 M	MDCWF-4FP-1M MDCWF-4FP-2M MDCWF-4FP-4M MDCWF-4FP-5M MDCWF-4FP-10M	MDCWF-4FP-1M-R MDCWF-4FP-2M-R MDCWF-4FP-4M-R MDCWF-4FP-5M-R MDCWF-4FP-10M-R	MDCWF-4MP-1M MDCWF-4MP-2M MDCWF-4MP-4M MDCWF-4MP-5M MDCWF-4MP-10M
Face View of Male	# of Poles	Color Code	Wire AWG Rating	Length	Male - Female Extension Cables		Face View of Female
	4	1-Brown 2-White 3-Blue 4-Black 5-Not Used	22 300V 4A	1 M 2 M 4 M 5 M 10 M	MDCWF-4MFP-1M MDCWF-4MFP-2M MDCWF-4MFP-4M MDCWF-4MFP-5M MDCWF-4MFP-10M		

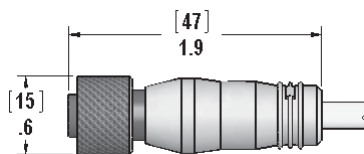
Females will have all 5 contact holes in the connector.

Specifications:

- Body: Oil Resistant Yellow PVC
- Insulator: Polyamide
- Contacts: Copper Alloy with Gold Plating
- Coupling Nut: Nickel Plated Brass
- Cable: Black PUR Jacket, 22 AWG, TPE Insulated, Overall Foil Shield & 24 AWG Drain Wire
- Flex Life: 2 Million Cycles
- Bend Radius: 2.5" Min.
- O-Ring: BUNA-N
- Temperature: -40°C to +80°C (-40°F to +176°F)
- Protection: IP 67



Male Straight



Female Straight



Female Right Angle

MDC Series (Micro-DC) Cordsets



Micro-DC Series (M12) Cordsets

PVC Cable ❖ 3 Pole 22 AWG Lighted Plugs

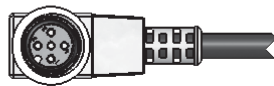
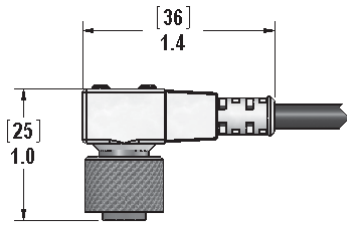
Face View of Male	# of Poles	Color Code	Wire AWG Rating	Length	PNP Normally Open	NPN Normally Open
	3	1-Brown 2-Not Used 3-Blue 4-Black 5-Not Used	22 10 - 30V 4A	2 M 5 M 10 M	MDC-3FP-2M-R-PNP MDC-3FP-5M-R-PNP MDC-3FP-10M-R-PNP	MDC-3FP-2M-R-NPN MDC-3FP-5M-R-NPN MDC-3FP-10M-R-NPN

Specifications:

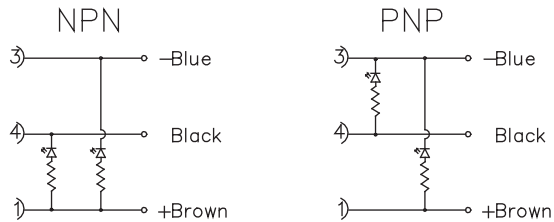
Body: Oil Resistant & Transparent PUR
 Insulator: PUR
 Contacts: Copper Alloy with Gold Plating
 Coupling Nut: Nickel Plated ZnAl
 Cable: Oil Resistant Black PVC Jacket,
 Rated at 300V, 90°C, Non-Wicking,
 Non-Hygroscopic
 Conductors: 22 AWG, PVC Insulated
 O-Ring: BUNA-N
 Temperature: -25°C to +90°C (-13°F to +194°F)
 Protection: IP 67

MDC Series (Micro-DC) Cordsets

Dimensions



Circuit Specifications



Micro DC Series (M12) "Y" Connector

Male to Two Female "Y" Connector



Wire AWG Rating	Length	Both Females Straight
22 60V 4A	0.5 M	MDC-3YFF-0.5M
	1 M	MDC-3YFF-1M
	2 M	MDC-3YFF-2M
	5 M	MDC-3YFF-5M
24 60V 4A	0.5 M	MDNT-3YFF-0.5M
	1 M	MDNT-3YFF-1M
	2 M	MDNT-3YFF-2M
	5 M	MDNT-3YFF-5M

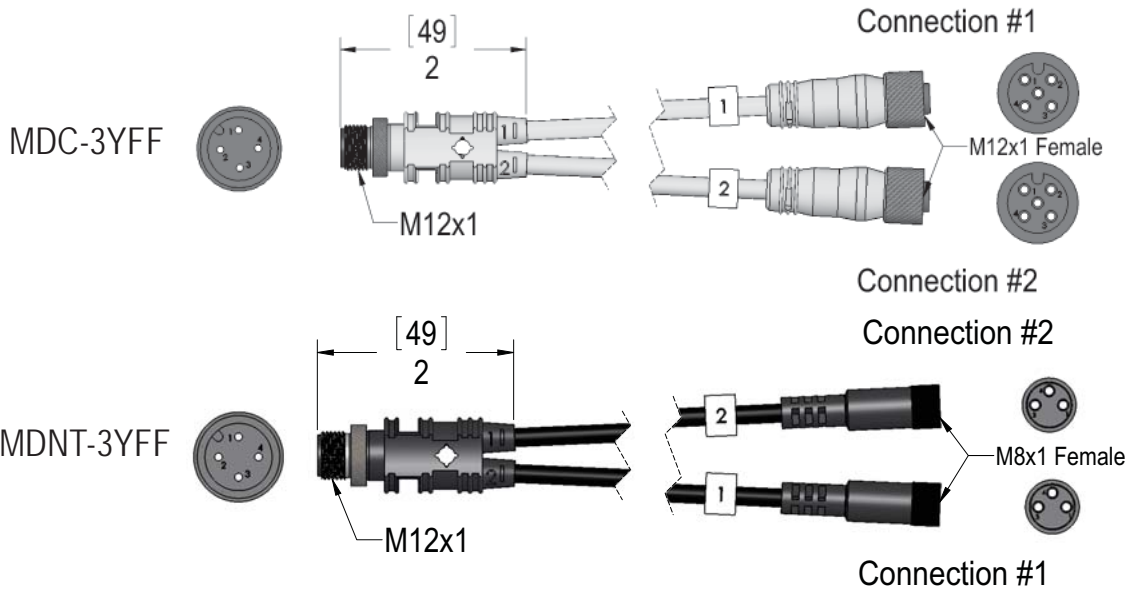
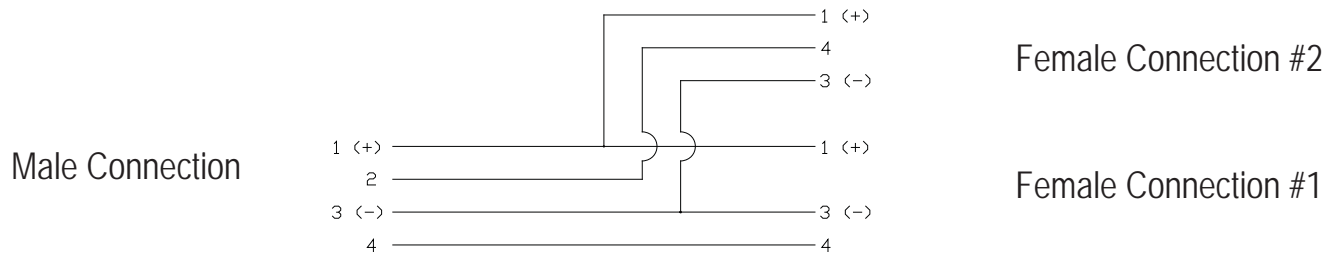
Custom lengths and wiring are available, please consult the factory.

Specifications:

Bodies: Oil Resistant Yellow PVC
 Insulator: Polyamide
 Contacts: Copper Alloy with Gold Plating
 Coupling Nut: Nickel Plated Brass
 Cable:
 22 AWG: Oil Resistant Yellow PVC Jacket
 Rated at 300V, 105°C, Non-Wicking,
 Non-Hygroscopic, UL Style 2661
 24 AWG: Oil Resistant Black PVC Jacket
 Rated at 60V, 105°F

Conductors: 22 or 24 AWG, PVC Insulated
 O-Ring: BUNA-N
 Temperature: -25°C to +105°C (-13°F to +221°F)
 Protection: IP 67

MDC Series (Micro-DC) Cordsets





Micro DC Series (M12) Extension Cables

Male-Female Extension Cables ❖ PVC Cable

Face View of Male	# of Poles	Wire AWG Rating	Length	Figure A	Figure B	Figure C	Figure D
				Straight Male to Straight Female	Straight Male to Right Angle Female	Right Angle Male to Straight Female	Right Angle Male to Right Angle Female
	4	22 300V	0.5 M	MDC-4MFP-0.5M	MDC-4MFRP-1M MDC-4MFRP-2M	MDC-4MRFP-1M MDC-4MRFP-2M	MDC-4MFP-1M-R MDC-4MFP-2M-R
1 M			MDC-4MFP-1M				
2 M			MDC-4MFP-2M	MDC-4MFRP-5M MDC-4MFRP-10M	MDC-4MRFP-5M MDC-4MRFP-10M	MDC-4MFP-5M-R MDC-4MFP-10M-R	
3 M			MDC-4MFP-3M				
5 M			MDC-4MFP-5M				
10 M			MDC-4MFP-10M				
	5	22 300V	0.5 M	MDC-5MFP-0.5M	MDC-5MFRP-1M MDC-5MFRP-2M	MDC-5MRFP-1M MDC-5MRFP-2M	MDC-5MFP-1M-R MDC-5MFP-2M-R
1 M			MDC-5MFP-1M				
2 M			MDC-5MFP-2M	MDC-5MFRP-5M MDC-5MFRP-10M	MDC-5MRFP-5M MDC-5MRFP-10M	MDC-5MFP-5M-R MDC-5MFP-10M-R	
3 M			MDC-5MFP-3M				
5 M			MDC-5MFP-5M				
10 M			MDC-5MFP-10M				
	6	24 60V	0.5 M	MDCM-6MFP-0.5M	Please Consult Factory	Please Consult Factory	Please Consult Factory
1 M			MDCM-6MFP-1M				
2 M			MDCM-6MFP-2M				
3 M			MDCM-6MFP-3M				
5 M			MDCM-6MFP-5M				
10 M			MDCM-6MFP-10M				

Other lengths are available. Please consult the factory.

Specifications:

Body: Oil Resistant Yellow PVC
 Insulator: Polyamide
 Contacts: Copper Alloy with Gold Plating
 Coupling Nut: Nickel Plated Brass
 Cable: Oil Resistant Yellow PVC Jacket,
 Rated at 105° C, Non-Wicking,
 Non-Hygroscopic, UL Style 2661 or 2517
 Conductors: 22 or 24 AWG, PVC Insulated
 O-Ring: BUNA-N
 Temperature: -40°C to +105°C (-40°F to +221°F)
 Protection: IP 67
 Approvals: U.S.: UL Recognized
 Canada: C-UL Recognized

MDC Series (Micro-DC) Cordsets

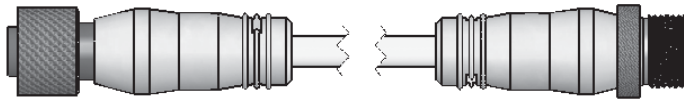
Micro DC Series (M12) Extension Cables

Male-Female Extension PVC Cables



Figure A

Straight Female Plug



Straight Male Plug

Right Angle Female Plug

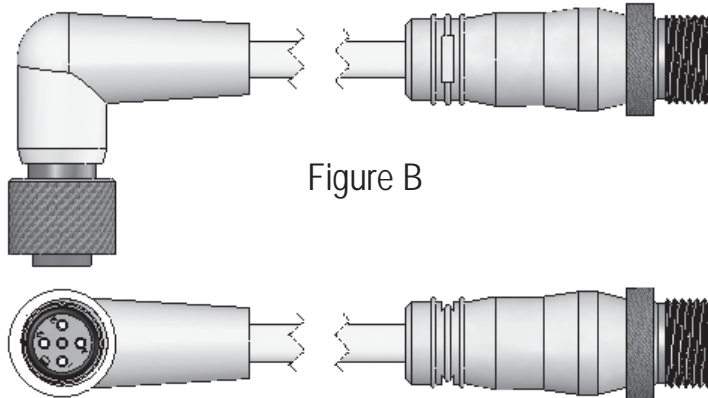


Figure B

Straight Male Plug

Straight Female Plug

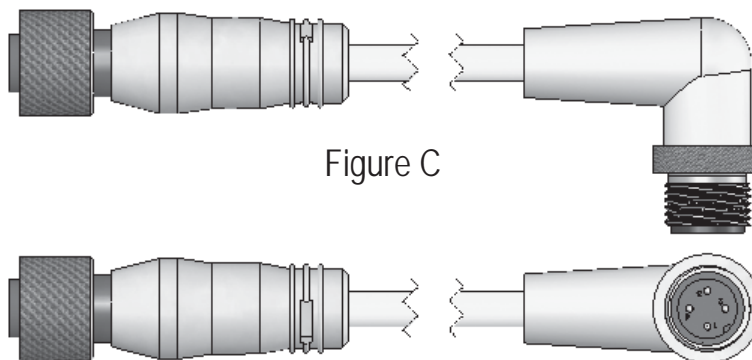


Figure C

Right Angle Male Plug

Right Angle Female Plug

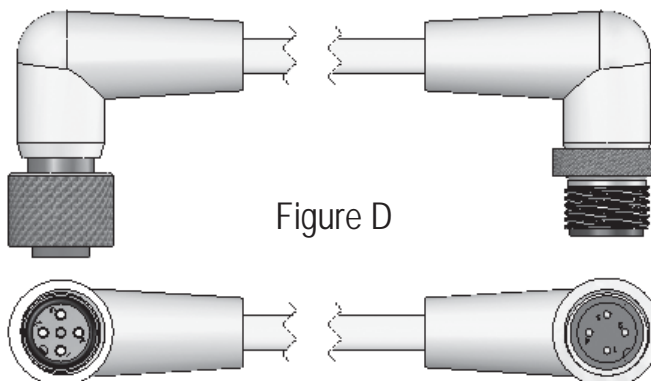


Figure D

Right Angle Male Plug

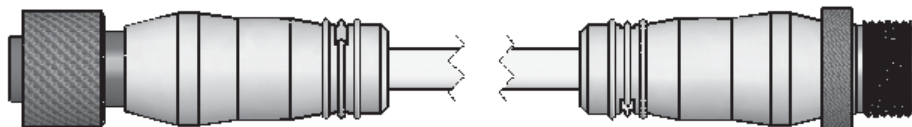
MDC Series (Micro-DC) Cordsets



Micro DC Series (M12) Extension Cables

18 AWG PVC Cable ❖ 18, 22 & 24 AWG PUR Cable

Male-Female Extension PVC Cables				
Face View of Male	# of Poles	Wire AWG Rating	Length	Part Numbers
	4	18 300V	0.5 M	MDC-4MFPX-0.5M
			1 M	MDC-4MFPX-1M
			2 M	MDC-4MFPX-2M
			5 M	MDC-4MFPX-5M
			10 M	MDC-4MFPX-10M
	5	18 300V	0.5 M	MDC-5MFPX-0.5M
			1 M	MDC-5MFPX-1M
			2 M	MDC-5MFPX-2M
			5 M	MDC-5MFPX-5M
			10 M	MDC-5MFPX-10M



Male-Female Extension Polyurethane Cables				
Face View of Male	# of Poles	Wire AWG Rating	Length	Part Numbers
	4	18 300V	0.5 M	MDCP-4MFPX-0.5M
			1 M	MDCP-4MFPX-1M
			2 M	MDCP-4MFPX-2M
			5 M	MDCP-4MFPX-5M
			10 M	MDCP-4MFPX-10M
	4	22 300V	0.5 M	MDCP-4MFP-0.5M
			1 M	MDCP-4MFP-1M
			2 M	MDCP-4MFP-2M
			5 M	MDCP-4MFP-5M
			10 M	MDCP-4MFP-10M
	8	24 60V	0.5 M	MDCP-8MFP-0.5M
			1 M	MDCP-8MFP-1M
			2 M	MDCP-8MFP-2M
			5 M	MDCP-8MFP-5M
			10 M	MDCP-8MFP-10M

MDC Series (Micro-DC) Cordsets

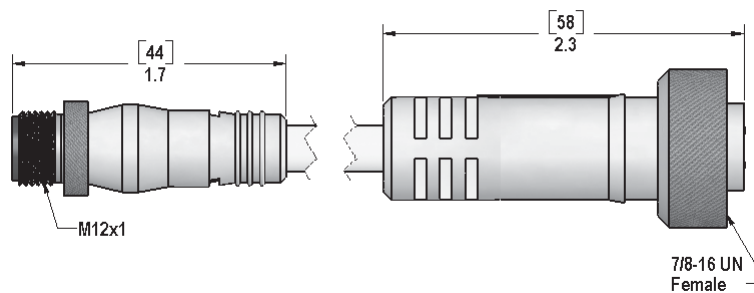
Micro DC to MIN Extension Cables

Male MDC to Female MIN

Face View of Male	# of Poles	Wire AWG Rating	Length	Part Numbers	Wiring	Face View of Female
	3	18 300V 4A	1 M 2 M 5 M 10 M	MDCIN-3MFPX-1M MDCIN-3MFPX-2M MDCIN-3MFPX-5M MDCIN-3MFPX-10M	1 to 2 3 to 3 4 to 1	
	4	18 300V 4A	1 M 2 M 5 M 10 M	MDCINC-4MFPX-1M MDCINC-4MFPX-2M MDCINC-4MFPX-5M MDCINC-4MFPX-10M	1 to 1 2 to 2 3 to 3 4 to 4	
	5	18 300V 4A	1 M 2 M 5 M 10 M	MDCIN-5MFPX-1M MDCIN-5MFPX-2M MDCIN-5MFPX-5M MDCIN-5MFPX-10M	1 to 4 2 to 5 3 to 2 4 to 1 5 to 3	

Specifications:

Body: Oil Resistant Yellow PVC
 Insulator: Polyamide
 Contacts: Copper Alloy with Gold Plating
 Coupling Nut: Male: Nickel Plated Brass
 Female: Clear Anodized Aluminum
 Cable: Oil Resistant Yellow PVC Jacket,
 Rated at 300V, 105°C, Non-Wicking,
 Non-Hygroscopic, UL Style 2661 or 2517
 Conductors: 18 AWG Bare Copper, PVC Insulated
 O-Ring: BUNA-N
 Temperature: -40°C to +105°C (-40°F to +221°F)
 Protection: IP 67



Micro DC to NAN Extension Cables

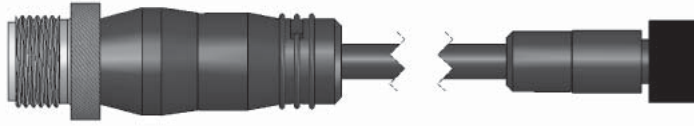
Male MDC to Female NAN ❖ Male NAN to Female MDC ❖ Snap-On Male NAN to Female MDC

MDC Series (Micro-DC) Cordsets

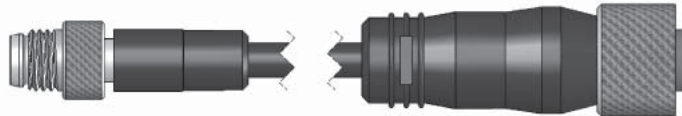
Male MDC to Threaded Female NAN					
Face View of Male	# of Poles	Wire AWG Rating	Part Numbers	Wiring	Face View of Female
	3	24 60V 4A	MDNT-3MFP-1M MDNT-3MFP-2M MDNT-3MFP-5M MDNT-3MFP-10M	1 to 1 2 to 2 3 to 3	
	4	24 60V 4A	MDNT-4MFP-1M MDNT-4MFP-2M MDNT-4MFP-5M MDNT-4MFP-10M	1 to 1 2 to 2 3 to 3 4 to 4	
Threaded Male NAN to Female MDC					
Face View of Male	# of Poles	Wire AWG Rating	Part Numbers	Wiring	Face View of Female
	3	24 60V 4A	NANTDC-3MFP-1M NANTDC-3MFP-2M NANTDC-3MFP-5M NANTDC-3MFP-10M	1 to 1 2 to 2 3 to 3	
	4	24 60V 4A	NANTDC-4MFP-1M NANTDC-4MFP-2M NANTDC-4MFP-5M NANTDC-4MFP-10M	1 to 1 2 to 2 3 to 3 4 to 4	
Snap-On Male NAN to Female MDC					
Face View of Male	# of Poles	Wire AWG Rating	Part Numbers	Wiring	Face View of Female
	3	24 60V 4A	NANDC-3MFP-1M NANDC-3MFP-2M NANDC-3MFP-5M NANDC-3MFP-10M	1 to 1 2 to 2 3 to 3	
	4	24 60V 4A	NANDC-4MFP-1M NANDC-4MFP-2M NANDC-4MFP-5M NANDC-4MFP-10M	1 to 1 2 to 2 3 to 3 4 to 4	

Micro DC to NAN Extension Cables

Male MDC to Female NAN ❖ Male NAN to Female MDC ❖ Male NAN to Female MDC Snap-On



Male MDC to Threaded Female NAN



Threaded Male NAN to Female MDC



Snap-On Male NAN to Female MDC

Specifications:

Body:	Oil Resistant Black PVC
Insulator:	Polyamide
Contacts:	Copper Alloy with Gold Plating
Coupling Nut:	Nickel Plated Brass
Cable:	Oil Resistant Black PVC
Conductors:	24 AWG, 60V
O-Ring:	BUNA-N
Temperature:	-25°C to +105°C (-13°F to +221°F)
Protection:	IP 67



Micro-DC Series (M12) Field Wireable Plugs

PG 7 & PG 9 Threads ❖ 18-24 AWG

Face View of Male	# of Poles	Wire AWG Rating	PG Size	Cable Range	Female Straight	Female Right Angle	Male Straight	Male Right Angle
	4	18-24	PG 7	3 - 6.5 mm	MDC-4FP-FW07	MDC-4FP-FW07-R	MDC-4MP-FW07	MDC-4MP-FW07-R
		250V 4A	PG 9	4 - 8 mm	MDC-4FP-FW09	MDC-4FP-FW09-R	MDC-4MP-FW09	MDC-4MP-FW09-R
	5	18-24	PG 7	3 - 6.5 mm	MDC-5FP-FW07	MDC-5FP-FW07-R	MDC-5MP-FW07	MDC-5MP-FW07-R
		50V 4A	PG 9	4 - 8 mm	MDC-5FP-FW09	MDC-5FP-FW09-R	MDC-5MP-FW09	MDC-5MP-FW09-R
	8	20-24	PG 7	3 - 6.5 mm	MDC-8FP-FW07	MDC-8FP-FW07-R	MDC-8MP-FW07	MDC-8MP-FW07-R
		50V 4A	PG 9	4 - 8 mm	MDC-8FP-FW09	MDC-8FP-FW09-R	MDC-8MP-FW09	MDC-8MP-FW09-R

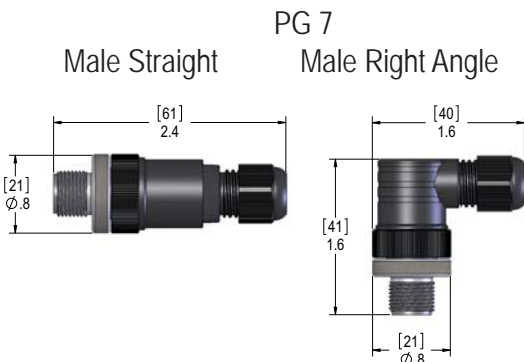
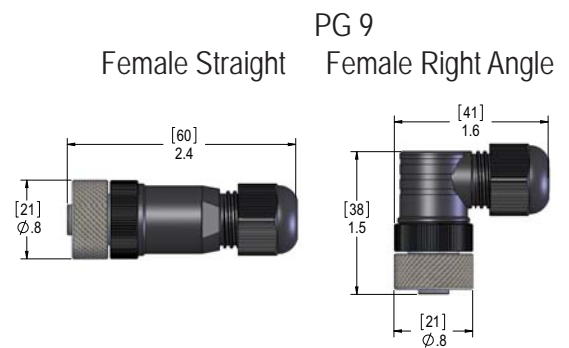
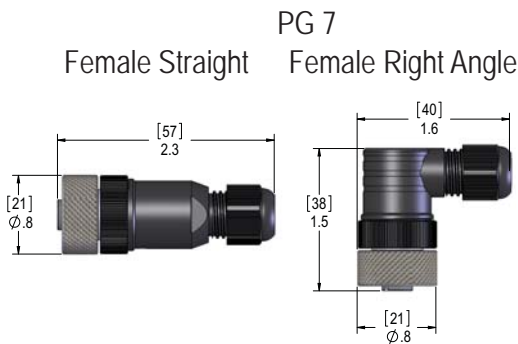
MDC Series (Micro-DC) Cordsets

These connectors are easily wired by inserting the individual wires into the screw terminal contacts. The connectors are water tight to IP 67 and are fully mate-able with other "Micro DC" style connectors.

Specifications:

Body: Black Polyamide
 Insulator: Black Polyamide
 Contacts: Copper Alloy with Gold Plating
 Coupling Nut: Nickel Plated Brass

Seal: NBR
 Temperature: -25°C to +85°C (-13°F to +185°F)
 Protection: IP 67
 Approvals: 4 Pole Only: U.S.: UL Recognized
 Canada: C-UL Recognized



Micro-DC Series (M12) Field Wireable Plugs

PG 7 & PG 9 Threads ❖ Stainless Steel ❖ 18-24 AWG



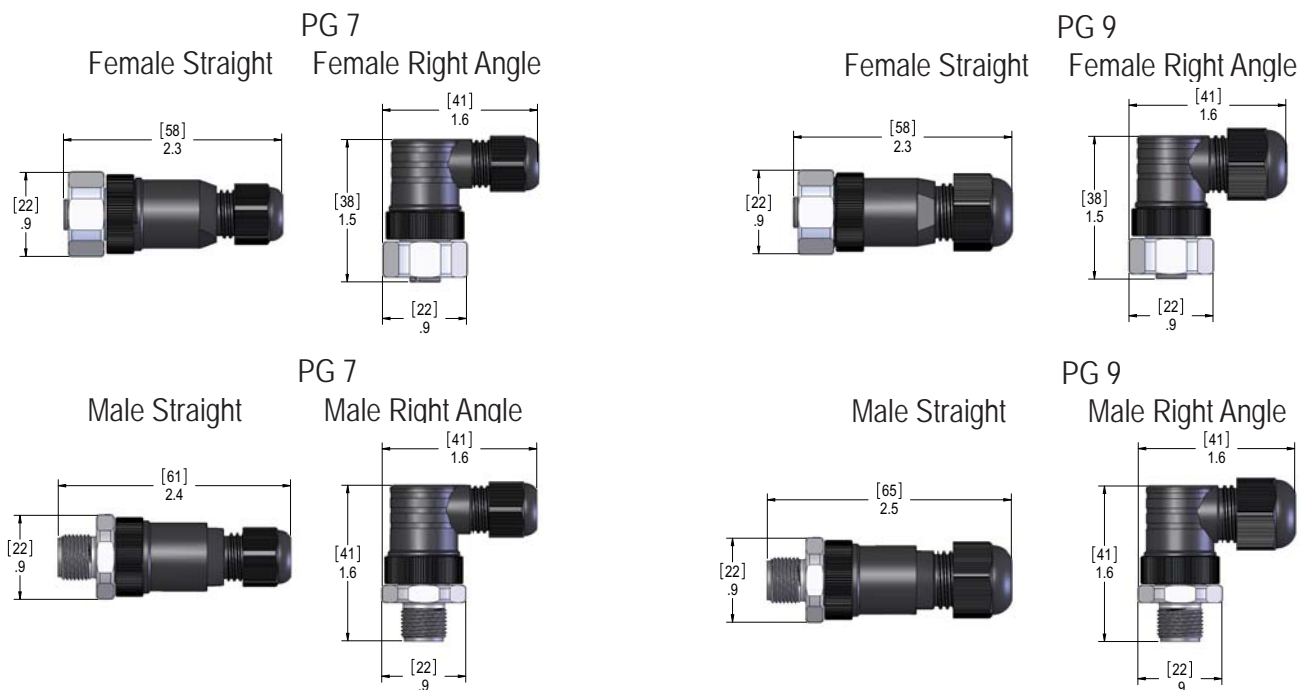
Face View of Male	# of Poles	Wire AWG Rating	PG Size	Cable Range	Female Straight	Female Right Angle	Male Straight	Male Right Angle
	4	18-24	PG 7	3 - 6.5 mm	MDC-4FP-FW07-SS	MDC-4FP-FW07-R-SS	MDC-4MP-FW07-SS	MDC-4MP-FW07-R-SS
		250V 4A	PG 9	4 - 8 mm	MDC-4FP-FW09-SS	MDC-4FP-FW09-R-SS	MDC-4MP-FW09-SS	MDC-4MP-FW09-R-SS
	5	18-24	PG 7	3 - 6.5 mm	MDC-5FP-FW07-SS	MDC-5FP-FW07-R-SS	MDC-5MP-FW07-SS	MDC-5MP-FW07-R-SS
		50V 4A	PG 9	4 - 8 mm	MDC-5FP-FW09-SS	MDC-5FP-FW09-R-SS	MDC-5MP-FW09-SS	MDC-5MP-FW09-R-SS

These connectors are easily wired by inserting the individual wires into the screw terminal contacts. The connectors are water tight to IP 67 and are fully mate-able with other "Micro DC" style connectors.

Specifications:

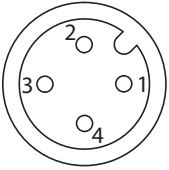
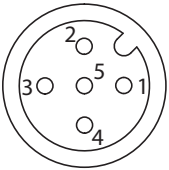
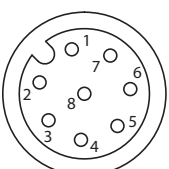
- Body: Black Polyamide
- Insulator: Black Polyamide
- Contacts: Copper Alloy with Gold Plating
- Coupling Nut: Stainless Steel
- Seal: NBR
- Temperature: -25°C to +85°C (-13°F to +185°F)
- Protection: IP 67
- Approvals: 4 Pole Only: U.S.: UL Recognized
Canada: C-UL Recognized

MDC Series (Micro-DC) Cordsets



Micro-DC Series (M12) Field Wireable Plugs

PG 11 Threads ❖ 18-24 AWG

Face View of Male	# of Poles	Wire AWG Rating	PG Size	Cable Range	Female Straight	Male Straight
	4	18-24 250V 4A	PG 11 PG 11* PG 11* PG 11* PG 11*	5.0 - 10 mm 4.5 - 5.5 mm x 2 4.0 - 5.0 mm x 2 3.5 - 4.5 mm x 2 2.5 - 3.5 mm x 2	MDC-4FP-FW11 MDC-4FP-FW11-2x5 MDC-4FP-FW11-2x4.5 MDC-4FP-FW11-2x4 MDC-4FP-FW11-2x3	MDC-4MP-FW11 MDC-4MP-FW11-2x5 MDC-4MP-FW11-2x4.5 MDC-4MP-FW11-2x4 MDC-4MP-FW11-2x3
	5	18-24 50V 4A	PG 11 PG 11* PG 11* PG 11* PG 11*	5.0 - 10 mm 4.5 - 5.5 mm x 2 4.0 - 5.0 mm x 2 3.5 - 4.5 mm x 2 2.5 - 3.5 mm x 2	MDC-5FP-FW11 MDC-5FP-FW11-2x5 MDC-5FP-FW11-2x4.5 MDC-5FP-FW11-2x4 MDC-5FP-FW11-2x3	MDC-5MP-FW11 MDC-5MP-FW11-2x5 MDC-5MP-FW11-2x4.5 MDC-5MP-FW11-2x4 MDC-5MP-FW11-2x3
	8	20-24 50V 4A	PG 11 PG 11* PG 11* PG 11* PG 11*	5.0 - 10 mm 4.5 - 5.5 mm x 2 4.0 - 5.0 mm x 2 3.5 - 4.5 mm x 2 2.5 - 3.5 mm x 2	MDC-8FP-FW11 MDC-8FP-FW11-2x5 MDC-8FP-FW11-2x4.5 MDC-8FP-FW11-2x4 MDC-8FP-FW11-2x3	MDC-8MP-FW11 MDC-8MP-FW11-2x5 MDC-8MP-FW11-2x4.5 MDC-8MP-FW11-2x4 MDC-8MP-FW11-2x3

MDC Series (Micro-DC) Cordsets

These connectors are easily wired by inserting the individual wires into the screw terminal contacts. The connectors are water tight to IP 67 and are fully mate-able with other "Micro DC" style connectors. Other multi-hole grommets are available for the PG11 version, please consult the factory for part number and availability.

* These part numbers have a two hole grommet that allows two different cables to be installed into one field wireable connector.

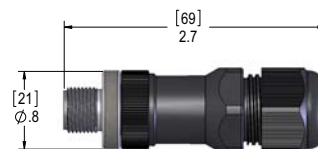
Specifications:

- Body: Black Polyamide
- Insulator: Black Polyamide
- Contacts: Copper Alloy with Gold Plating
- Coupling Nut: Nickel Plated Brass
- Seal: NBR
- Temperature: -25°C to +85°C (-13°F to +185°F)
- Protection: IP67 - Single opening grommet
IP65 - Two hole grommet
- Approvals: U.S.: UL Pending
Canada: C-UL Pending

PG 11 Female Straight

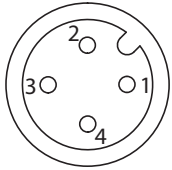
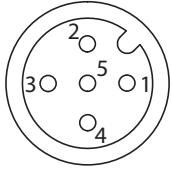


PG 11 Male Straight



Micro-DC Series (M12) Field Wireable Plugs

PG 11 Threads ❖ Stainless Steel ❖ 18-24 AWG

Face View of Male	# of Poles	Wire AWG Rating	PG Size	Cable Range	Female Straight	Male Straight
	4	18-24 250V 4A	PG 11 PG 11* PG 11* PG 11* PG 11*	5.0 - 10 mm 4.5 - 5.5 mm x 2 4.0 - 5.0 mm x 2 3.5 - 4.5 mm x 2 2.5 - 3.5 mm x 2	MDC-4FP-FW11-SS MDC-4FP-FW11-2x5-SS MDC-4FP-FW11-2x4.5-SS MDC-4FP-FW11-2x4-SS MDC-4FP-FW11-2x3-SS	MDC-4MP-FW11-SS MDC-4MP-FW11-2x5-SS MDC-4MP-FW11-2x4.5-SS MDC-4MP-FW11-2x4-SS MDC-4MP-FW11-2x3-SS
	5	18-24 50V 4A	PG 11 PG 11* PG 11* PG 11* PG 11*	5.0 - 10 mm 4.5 - 5.5 mm x 2 4.0 - 5.0 mm x 2 3.5 - 4.5 mm x 2 2.5 - 3.5 mm x 2	MDC-5FP-FW11-SS MDC-5FP-FW11-2x5-SS MDC-5FP-FW11-2x4.5-SS MDC-5FP-FW11-2x4-SS MDC-5FP-FW11-2x3-SS	MDC-5MP-FW11-SS MDC-5MP-FW11-2x5-SS MDC-5MP-FW11-2x4.5-SS MDC-5MP-FW11-2x4-SS MDC-5MP-FW11-2x3-SS

These connectors are easily wired by inserting the individual wires into the screw terminal contacts. The connectors are water tight to IP 67 and are fully mate-able with other "Micro DC" style connectors. Other multi-hole grommets are available for the PG11 version, please consult the factory for part number and availability.

* These part numbers have a two hole grommet that allows two different cables to be installed into one field wireable connector.

Specifications:

Body: Black Polyamide
 Insulator: Black Polyamide
 Contacts: Copper Alloy with Gold Plating
 Coupling Nut: Stainless Steel
 Seal: NBR
 Temperature: -25°C to +85°C (-13°F to +185°F)
 Protection: IP67 - Single opening grommet
 IP65 - Two hole grommet
 Approvals: U.S.: UL Pending
 Canada: C-UL Pending

PG 11 Female Straight

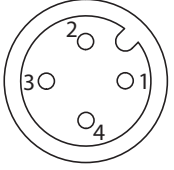
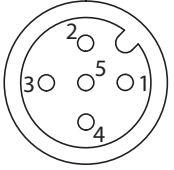
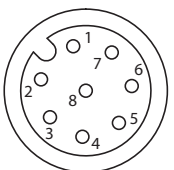


PG 11 Male Straight



Micro DC Series (M12) Field Wireable Plugs

Shielded Plug ❖ 18-24 AWG

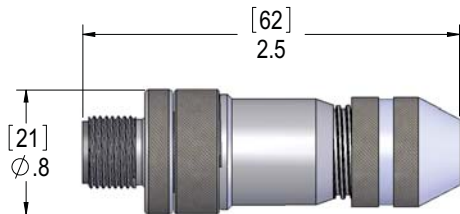
Face View of Male	# of Poles	Wire AWG Rating	Cable Range	Male Straight	Female Straight
	4	18-24 250V 4A	3 - 9 mm	MDCM-4MP-FW	MDCM-4FP-FW
	5	18-24 50V 4A	3 - 9 mm	MDCM-5MP-FW	MDCM-5FP-FW
	8	20-24 50V 4A	6 - 8 mm 8 - 10 mm	MDCM-8MP-FW07 MDCM-8MP-FW09	MDCM-8FP-FW07 MDCM-8FP-FW09

These connectors are easily wired by inserting the individual wires into the screw terminal contacts. The connectors are water tight to IP 67 and are fully mate-able with other "Micro DC" style connectors.

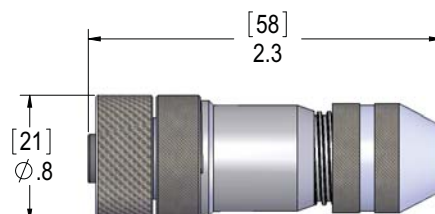
Specifications:

Body: Nickel Plated Brass
 Insulator: Black Polyamide
 Contacts: Copper Alloy with Gold Plating
 Coupling Nut: Nickel Plated Brass
 Seal: NBR
 Temperature: -25°C to +85°C (-13°F to +185°F)
 Protection: IP 67

PG 7 Male Straight



PG 7 Female Straight



Micro DC Series (M12) "Splitter" Connector

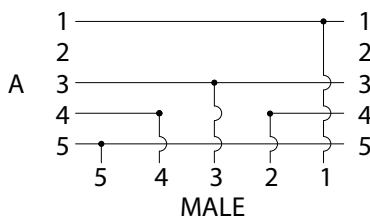
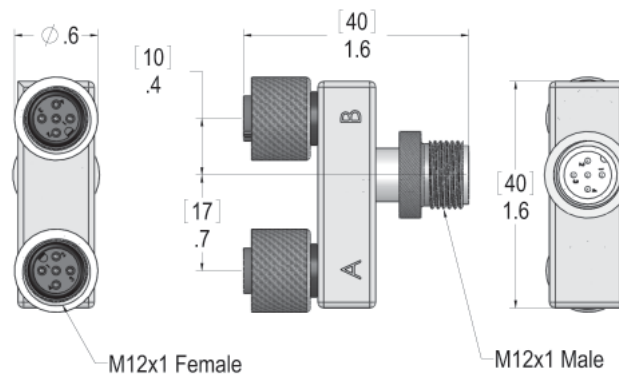
Male to Two Female "Splitter" Connector



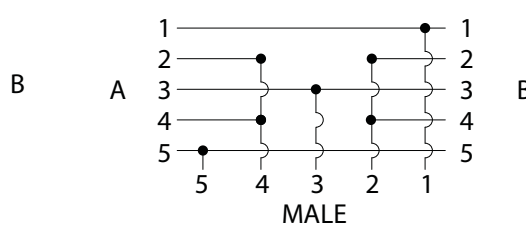
Rating	Part Number	Part Number	Part Number
60V 4A	MDC-44YFF	MDC-45YFF	MDC-55YFF

Specifications:

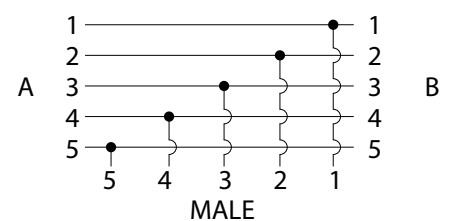
Body: Oil Resistant Yellow PUR
 Insulator: Polyamide
 Contacts: Copper Alloy with Gold Plating
 Coupling Nut: Nickel Plated Brass
 O-Ring: BUNA-N
 Temperature: -40°C to +105°C (-40°F to +221°F)
 Protection: IP 67



MDC-44YFF



MDC-45YFF



MDC-55YFF

MDC Series (Micro-DC) Cordsets



Micro DC Series (M12) Accessories

Closure Caps

Closure Caps			
Part Number: MDC-CAP (For covering receptacles & plugs with male threads)		Part Number: MDC-PLUG (For covering receptacles & plugs with female threads)	
0.170" Diameter Mounting Hole for Securing Chain. Materials: Clear Anodized Aluminum with Nickel Plated Brass Chain and Hardware.			
Black Polyamide Plug for Female Receptacles		Nickel Plated Brass Plug for Female Receptacles	
Part Number: MDC-PLUG-PA		Part Number: MDC-SB-PLUG	

MDC Series (Micro-DC) Cordsets



MDC (Micro-DC) Series Receptacles

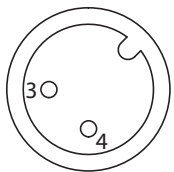
Receptacles..... 2-13

Accessories 14

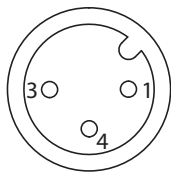


Grounding Wire Attached to Receptacle Shell

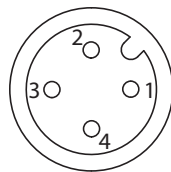
There are many applications that require the shell of the receptacle to be grounded. Mencom now has the ability to solder a grounding wire to the inside of the any of the receptacle shells that are made from nickel plated brass. Contact Mencom with your particular requirement. Low quantity to high quantity applications are welcome.



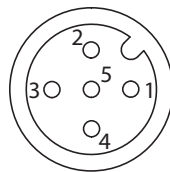
2 Pole



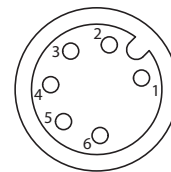
3 Pole



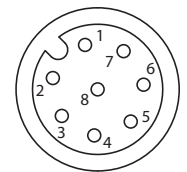
4 Pole



5 Pole



6 Pole



8 Pole



Micro-DC Series (M12) Receptacles

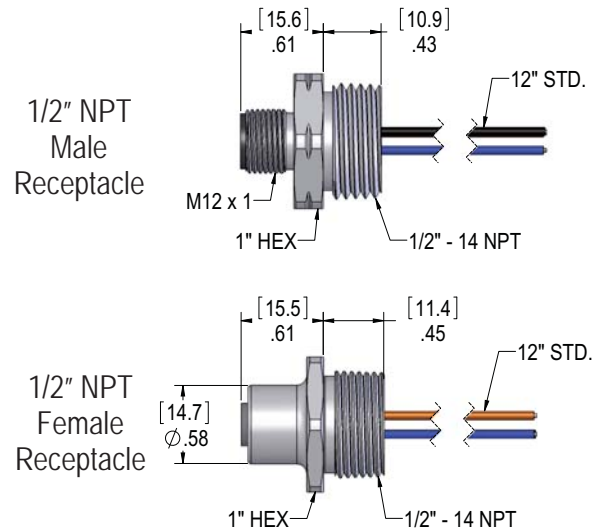
18-24 AWG ❖ 1/2" - 14 NPT Mounting Threads

Face View of Male	# of Poles	Color Code	Wire AWG Rating	Male Receptacles		Female Receptacles	
				Clear Anodized Aluminum	Stainless Steel	Clear Anodized Aluminum	Stainless Steel
	2	1-Not Used 2-Not Used 3-Brown 4-Blue	22 18 300V 4A	MDC-2MR-2 MDC-2MR-2-18	MDC-2MR-2-SS MDC-2MR-2-18-SS	MDC-2FR-2 MDC-2FR-2-18	MDC-2FR-2-SS MDC-2FR-2-18-SS
	3	1-Brown 2-Not Used 3-Blue 4-Black	22 18 300V 4A	MDC-3MR-2 MDC-3MR-2-18	MDC-3MR-2-SS MDC-3MR-2-18-SS	MDC-3FR-2 MDC-3FR-2-18	MDC-3FR-2-SS MDC-3FR-2-18-SS
	4	1-Brown 2-White 3-Blue 4-Black	22 18 300V 4A	MDC-4MR-2 MDC-4MR-2-18	MDC-4MR-2-SS MDC-4MR-2-18-SS	MDC-4FR-2 MDC-4FR-2-18	MDC-4FR-2-SS MDC-4FR-2-18-SS
	5	1-Brown 2-White 3-Blue 4-Black 5-Gray	22 18 300V 4A	MDC-5MR-2 MDC-5MR-2-18	MDC-5MR-2-SS MDC-5MR-2-18-SS	MDC-5FR-2 MDC-5FR-2-18	MDC-5FR-2-SS MDC-5FR-2-18-SS
	6	1-Brown 2-White 3-Blue 4-Black 5-Gray 6-Pink	24 60V 2A	MDC-6MR-2	MDC-6MR-2-SS	MDC-6FR-2	MDC-6FR-2-SS
	8	1-White 2-Brown 3-Green 4-Yellow 5-Gray 6-Pink 7-Blue 8-Red	24 60V 2A	MDC-8MR-2	MDC-8MR-2-SS	MDC-8FR-2	MDC-8FR-2-SS

12" leads are standard. Longer lead lengths are available, please consult the factory for part numbers. 2-5 Pole females will have all 5 contact holes in the receptacle. For lengths of 18" and longer O-Ring and Locking Nut are included.

Specifications:

Shell: Clear Anodized Aluminum or Stainless Steel
 Insulator: Polyamide
 Wire: 18, 22 & 24 AWG; 300V, UL Style 1007/1569
 Contacts: Copper Alloy with Gold Plating
 O-Ring: BUNA-N
 Temperature: -40°C to 105°C (-40°F to +221°F)
 Protection: IP 67
 Approvals: U.S.: UL Recognized
 Canada: C-UL Recognized



Micro-DC Series (M12) Receptacles

18-24 AWG ❖ 1/4"-18 NPT Mounting Threads

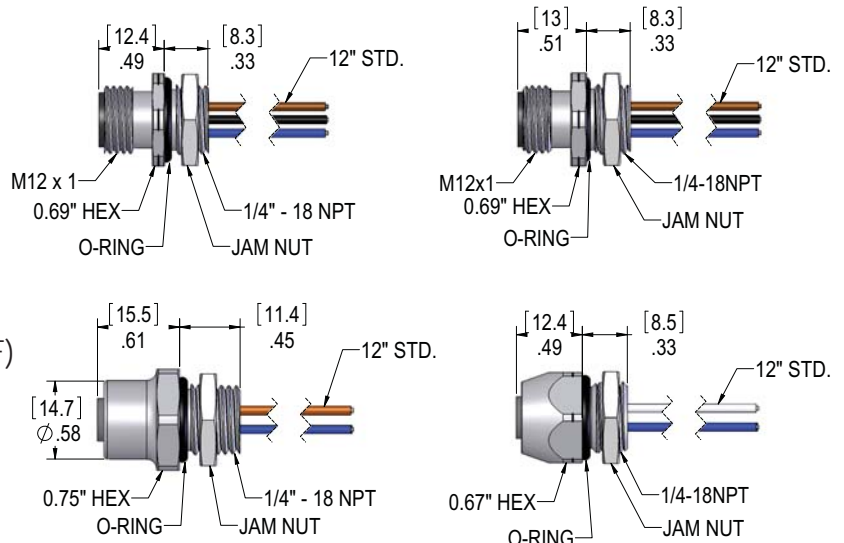


Face View of Male	# of Poles	Color Code	Wire AWG Rating	Male Receptacles		Female Receptacles	
				Nickel Plated Brass	Stainless Steel	Nickel Plated Brass	Stainless Steel
	2	1-Not Used 2-Not Used 3-Brown 4-Blue	22 18 300V 4A	MDC-2MR-4 MDC-2MR-4-18	MDC-2MR-4-SS MDC-2MR-4-18-SS	MDC-2FR-4 MDC-2FR-4-18	MDC-2FR-4-SS MDC-2FR-4-18-SS
	3	1-Brown 2-Not Used 3-Blue 4-Black	22 18 300V 4A	MDC-3MR-4 MDC-3MR-4-18	MDC-3MR-4-SS MDC-3MR-4-18-SS	MDC-3FR-4 MDC-3FR-4-18	MDC-3FR-4-SS MDC-3FR-4-18-SS
	4	1-Brown 2-White 3-Blue 4-Black	22 18 300V 4A	MDC-4MR-4 MDC-4MR-4-18	MDC-4MR-4-SS MDC-4MR-4-18-SS	MDC-4FR-4 MDC-4FR-4-18	MDC-4FR-4-SS MDC-4FR-4-18-SS
	5	1-Brown 2-White 3-Blue 4-Black 5-Gray	22 18 300V 4A	MDC-5MR-4 MDC-5MR-4-18	MDC-5MR-4-SS MDC-5MR-4-18-SS	MDC-5FR-4 MDC-5FR-4-18	MDC-5FR-4-SS MDC-5FR-4-18-SS
	6	1-Brown 2-White 3-Blue 4-Black 5-Gray 6-Pink	24 60V 2A	MDC-6MR-4	MDC-6MR-4-SS	MDC-6FR-4	MDC-6FR-4-SS
	8	1-White 2-Brown 3-Green 4-Yellow 5-Gray 6-Pink 7-Blue 8-Red	24 60V 2A	MDC-8MR-4	MDC-8MR-4-SS	MDC-8FR-4	MDC-8FR-4-SS

12" leads are standard. Longer lead lengths are available, please consult the factory for part numbers.

Specifications:

Shell: Nickel Plated Brass or Stainless Steel
 Insulator: Polyamide
 Wire: 18, 22 & 24 AWG: 300V, UL Style 1007/1569
 Contacts: Copper Alloy with Gold Plating
 Jam Nut: Steel Zinc Plate
 O-Ring: BUNA-N
 Temperature: -40°C to 105°C (-40°F to +221°F)
 Protection: IP 67
 Approvals: U.S.: UL Recognized
 Canada: C-UL Recognized



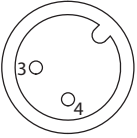
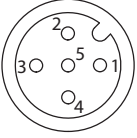
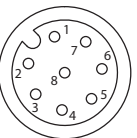
1/4" NPT Nickel Plated Brass

1/4" NPT Stainless Steel



Micro-DC Series (M12) Receptacles

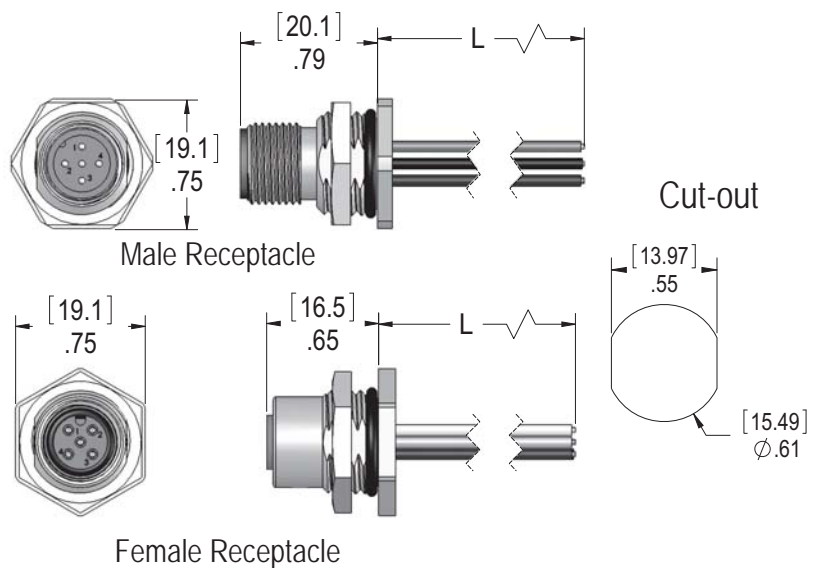
18, 22 & 24 AWG 300V ❖ Back Mounted

Face View of Male	# of Poles	Color Code	Wire AWG Rating	Male Receptacles	Female Receptacles
	2	1-Not Used 2-Not Used 3-Brown 4-Blue	22 18 300V 4A	MDC-2MR-BM MDC-2MR-BM-18	MDC-2FR-BM MDC-2FR-BM-18
	4	1-Brown 2-White 3-Blue 4-Black	22 18 300V 4A	MDC-4MR-BM MDC-4MR-BM-18	MDC-4FR-BM MDC-4FR-BM-18
	5	1-Brown 2-White 3-Blue 4-Black 5-Gray	22 18 300V 4A	MDC-5MR-BM MDC-5MR-BM-18	MDC-5FR-BM MDC-5FR-BM-18
	6	1-Brown 2-White 3-Blue 4-Black 5-Gray 6-Pink	24 60V 2A	MDC-6MR-BM	MDC-6FR-BM
	8	1-White 2-Brown 3-Green 4-Yellow 5-Gray 6-Pink 7-Blue 8-Red	24 60V 2A	MDC-8MR-BM	MDC-8FR-BM

12" leads are standard. Longer lead lengths are available, please consult the factory for part numbers.

Specifications:

Shell: Nickel Plated Brass
 Insulator: Polyamide
 Wire: 18, 22 & 24 AWG: 300V, UL Style 1007/1569
 Contacts: Copper Alloy with Gold Plating
 Jam Nut: Nickel Plated Brass
 O-Ring: BUNA-N
 Temperature: -40°C to 105°C (-40°F to +221°F)
 Protection: IP 67
 Approvals: U.S.: UL Recognized
 Canada: C-UL Recognized



Micro-DC Series (M12) Receptacles

18, 22 & 24 AWG 300V ❖ PG Mounting Threads



Face View of Male	# of Poles	Color Code	Wire AWG Rating	Male Receptacles			Female Receptacles
				PG 7	PG 9	PG 11	PG 9
	2	1-Not Used 2-Not Used 3-Brown 4-Blue	22 18 300V 4A	MDC-2MR-PG7 MDC-2MR-PG7-18	MDC-2MR-PG9 MDC-2MR-PG9-18	MDC-2MR-PG11 MDC-2MR-PG11-18	MDC-2FR-PG9 MDC-2FR-PG9-18
	4	1-Brown 2-White 3-Blue 4-Black	22 18 300V 4A	MDC-4MR-PG7 MDC-4MR-PG7-18	MDC-4MR-PG9 MDC-4MR-PG9-18	MDC-4MR-PG11 MDC-4MR-PG11-18	MDC-4FR-PG9 MDC-4FR-PG9-18
	5	1-Brown 2-White 3-Blue 4-Black 5-Gray	22 18 300V 4A	MDC-5MR-PG7 MDC-5MR-PG7-18	MDC-5MR-PG9 MDC-5MR-PG9-18	MDC-5MR-PG11 MDC-5MR-PG11-18	MDC-5FR-PG9 MDC-5FR-PG9-18
	6	1-Brown 2-White 3-Blue 4-Black 5-Gray 6-Pink	24 60V 2A	MDC-6MR-PG7	MDC-6MR-PG9	MDC-6MR-PG11	MDC-6FR-PG9
	8	1-White 2-Brown 3-Green 4-Yellow 5-Gray 6-Pink 7-Blue 8-Red	24 60V 2A	MDC-8MR-PG7	MDC-8MR-PG9	MDC-8MR-PG11	MDC-8FR-PG9

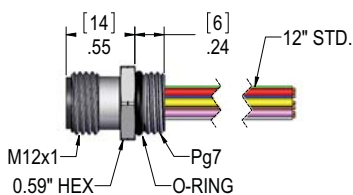
MDC Series (Micro-DC) Receptacles

12" leads are standard. Longer lead lengths are available, please consult the factory for part numbers. Stainless Steel is available, add a "-SS" suffix (e.g. MDC-5MR-PG11 becomes MDC-5MR-PG11-SS).

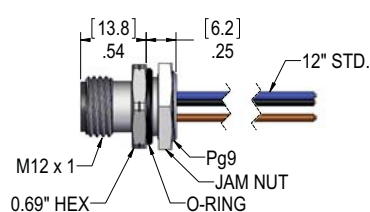
Specifications:

Shell: PG 7 & PG 9: Nickel Plated Brass
 PG 11: Clear Anodized Aluminum
 Insulator: Polyamide
 Wire: 18, 22 & 24 AWG; 300V, UL Style 1007/1569
 Contacts: Copper Alloy with Gold Plating

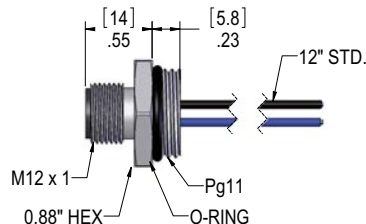
O-Ring: BUNA-N
 Temperature: -40°C to 105°C (-40°F to +221°F)
 Protection: IP 67
 Approvals: U.S.: UL Recognized
 Canada: C-UL Recognized



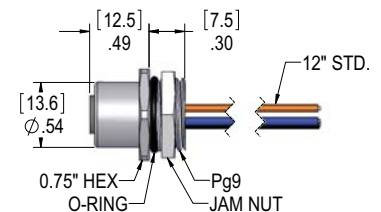
PG 7 Male Receptacle



PG 9 Male Receptacle



PG 11 Male Receptacle

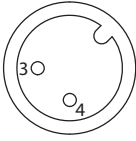
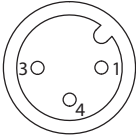
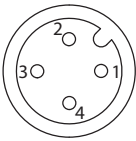
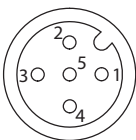
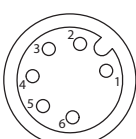
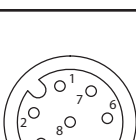


PG 9 Female Receptacle



Micro-DC Series (M12) Receptacles

Male ❖ 18, 22 AWG 300V ❖ Metric Mounting Threads

Face View of Male	# of Poles	Color Code	Wire AWG Rating	Male Receptacles		
				M14 x 1.0 Threads	M16 x 1.5 Threads	M20 x 1.5 Threads
	2	1-Not Used 2-Not Used 3-Brown 4-Blue	22 18 300V 4A	MDC-2MR-M14 MDC-2MR-M14-18	MDC-2MR-M16 MDC-2MR-M16-18	MDC-2MR-M20 MDC-2MR-M20-18
	3	1-Brown 2-Not Used 3-Blue 4-Black	22 18 300V 4A	MDC-3MR-M14 MDC-3MR-M14-18	MDC-3MR-M16 MDC-3MR-M16-18	MDC-3MR-M20 MDC-3MR-M20-18
	4	1-Brown 2-White 3-Blue 4-Black	22 18 300V 4A	MDC-4MR-M14 MDC-4MR-M14-18	MDC-4MR-M16 MDC-4MR-M16-18	MDC-4MR-M20 MDC-4MR-M20-18
	5	1-Brown 2-White 3-Blue 4-Black 5-Gray	22 18 300V 4A	MDC-5MR-M14 MDC-5MR-M14-18	MDC-5MR-M16 MDC-5MR-M16-18	MDC-5MR-M20 MDC-5MR-M20-18
	6	1-Brown 2-White 3-Blue 4-Black 5-Gray 6-Pink	24 60V 2A	MDC-6MR-M14	MDC-6MR-M16	MDC-6MR-M20
	8	1-White 2-Brown 3-Green 4-Yellow 5-Gray 6-Pink 7-Blue 8-Red	24 60V 2A	MDC-8MR-M14	MDC-8MR-M16	MDC-8MR-M20

Specifications:

Shell: M14 x 1.0: Nickel Plated Brass
M16 x 1.5: Nickel Plated Brass
M20 x 1.5: Clear Anodized Aluminum

Insulator: Polyamide

Wire: 18, 22 & 24 AWG; 300V,
UL Style 1007/1569

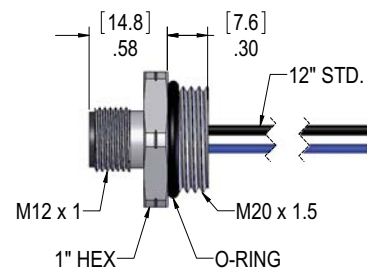
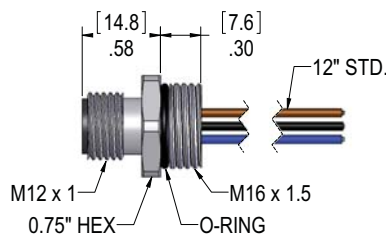
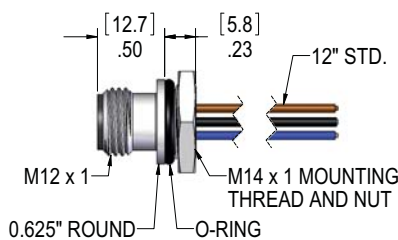
Contacts: Copper Alloy with Gold Plating

O-Ring: BUNA-N

Temperature: -40°C to 105°C (-40°F to +221°F)

Protection: IP 67

Approvals: U.S.: UL Recognized
Canada: C-UL Recognized



Micro-DC (M12) Series Receptacles

Female ❖ 18, 22 AWG 300V ❖ Metric Mounting Threads



Face View of Female	# of Poles	Color Code	Wire AWG Rating	Female Receptacles	
				M16 x 1.5 Threads	M20 x 1.5 Threads
	2	1-Not Used 2-Not Used 3-Brown 4-Blue	22 18 300V 4A	MDC-2FR-M16 MDC-2FR-M16-18	MDC-2FR-M20 MDC-2FR-M20-18
	3	1-Brown 2-Not Used 3-Blue 4-Black	22 18 300V 4A	MDC-3FR-M16 MDC-3FR-M16-18	MDC-3FR-M20 MDC-3FR-M20-18
	4	1-Brown 2-White 3-Blue 4-Black	22 18 300V 4A	MDC-4FR-M16 MDC-4FR-M16-18	MDC-4FR-M20 MDC-4FR-M20-18
	5	1-Brown 2-White 3-Blue 4-Black 5-Gray	22 18 300V 4A	MDC-5FR-M16 MDC-5FR-M16-18	MDC-5FR-M20 MDC-5FR-M20-18
	6	1-Brown 2-White 3-Blue 4-Black 5-Gray 6-Pink	24 60V 2A	MDC-6FR-M16	MDC-6FR-M20
	8	1-White 2-Brown 3-Green 4-Yellow 5-Gray 6-Pink 7-Blue 8-Red	24 60V 2A	MDC-8FR-M16	MDC-8FR-M20

Longer lead lengths are available, please consult the factory for part numbers.

Specifications:

Shell: M16 x 1.5: Nickel Plated Brass
M20 x 1.5: Clear Anodized Aluminum

Insulator: Polyamide

Wire: 18, 22 & 24 AWG: 300V
UL Style 1007/1569

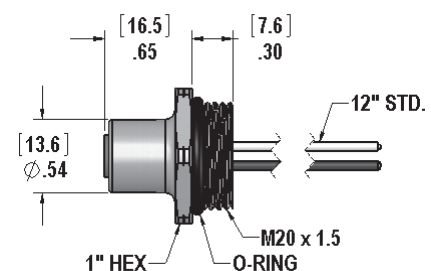
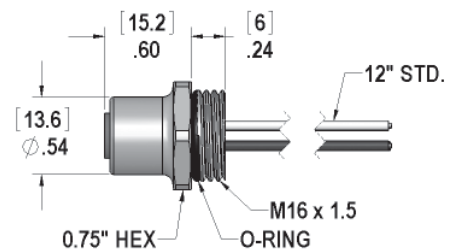
Contacts: Copper Alloy with Gold Plating

O-Ring: BUNA-N

Temperature: -40°C to 105°C (-40°F to +221°F)

Protection: IP 67

Approvals: U.S.: UL Recognized
Canada: C-UL Recognized



MDC Series (Micro-DC) Receptacles



Micro-DC Series (M12) Receptacles

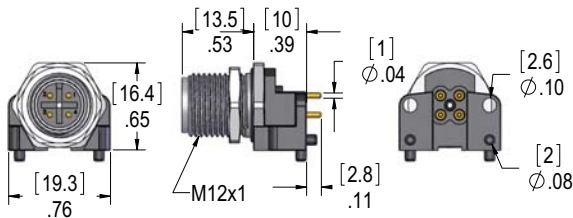
PCB Mounted ❖ Male

Face View of Male	# of Poles	Rating	Style	Male Receptacles	
				Straight	Right Angle
	4	300V 4A	PCB Mount PCB Mount w/ Ground Tab	MDC-4MR-PCB MDCM-4MR-PCB	MDC-4MR-PCB-R MDCM-4MR-PCB-R
	5	150V 4A	PCB Mount PCB Mount w/ Ground Tab	MDC-5MR-PCB MDCM-5MR-PCB	MDC-5MR-PCB-R MDCM-5MR-PCB-R

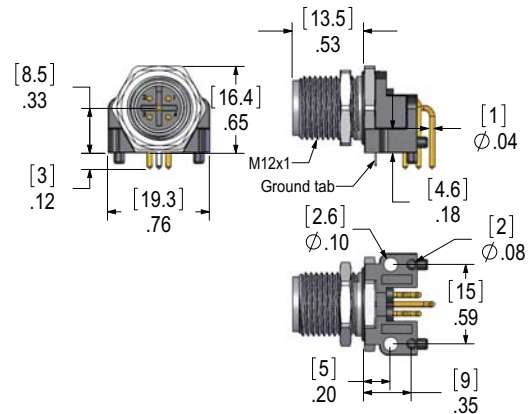
Specifications:

Body: Polyamide
 Contacts: Copper Alloy with Gold Plating
 Shell: Nickel Plated Brass
 O-Ring: BUNA-N
 Approvals: U.S.: UL Recognized; Canada: C-UL Recognized
 *MDCM versions are pending approval

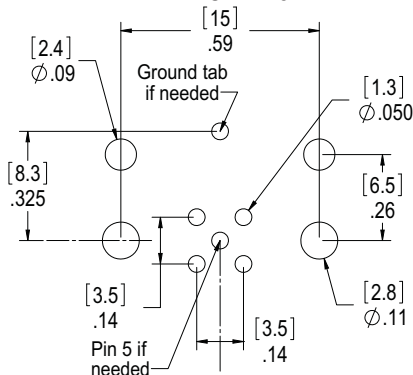
Male Straight



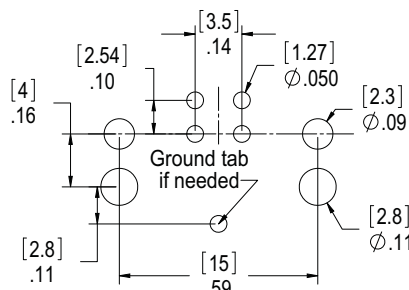
Male Right Angle



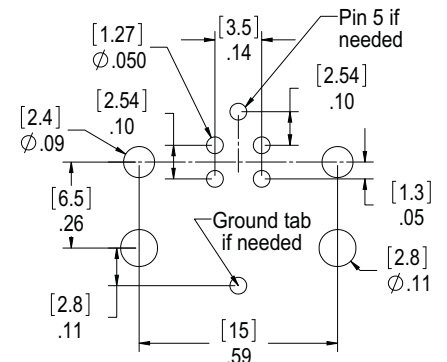
5 Pole Male Straight Layout



4 Pole Male Right Angle



Male Right Angle Layout



Micro-DC Series (M12) Receptacles

PCB Mount ❖ Female

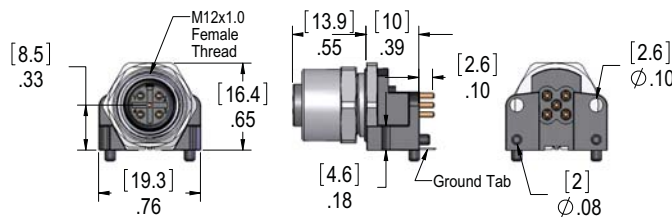


Face View of Female	# of Poles	Rating	Style	Female Receptacles	
				Straight	Right Angle
	4	300V 4A	PCB Mount PCB Mount w/ Ground Tab	MDC-4FR-PCB MDCM-4FR-PCB	MDC-4FR-PCB-R MDCM-4FR-PCB-R
	5	150V 4A	PCB Mount PCB Mount w/ Ground Tab	MDC-5FR-PCB MDCM-5FR-PCB	MDC-5FR-PCB-R MDCM-5FR-PCB-R

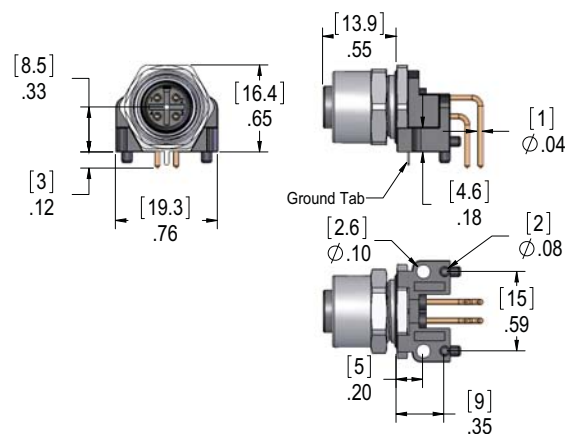
Specifications:

Body: Polyamide
 Contacts: Copper Alloy with Gold Plating
 Shell: Nickel Plated Brass
 O-Ring: BUNA-N
 Approvals: U.S.: UL Recognized; Canada: C-UL Recognized
 *MDCM versions are pending approval

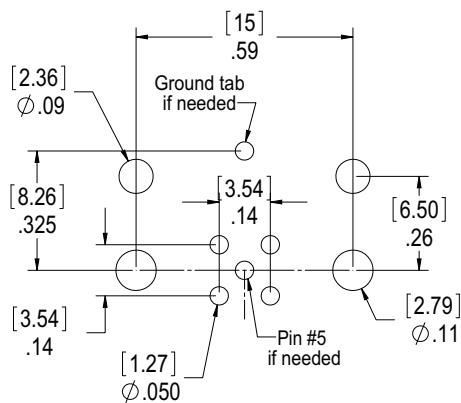
Female Straight



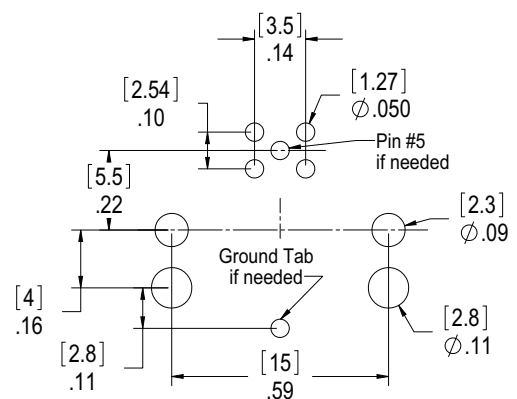
Female Right Angle



Female Straight Layout



Female Right Angle Layout



MDC Series (Micro-DC) Receptacles

Micro-DC Series (M12) Receptacles

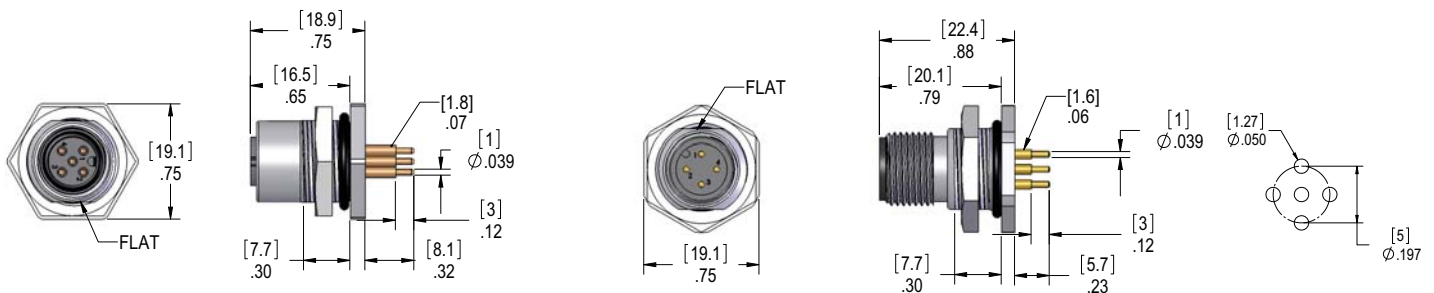
Back Mount PCB ❖ 300V

Face View of Male	# of Poles	Rating	Male Receptacles	Female Receptacles	Face View of Female
	2	300V 4A	MDC-2MR-BM-PCB	MDC-2FR-BM-PCB	
	4	300V 4A	MDC-4MR-BM-PCB	MDC-4FR-BM-PCB	
	5	300V 4A	MDC-5MR-BM-PCB	MDC-5FR-BM-PCB	
	8	300V 4A	Consult the Factory	MDC-8FR-BM-PCB	

Specifications:

Shell: Nickel Plated Brass
 Insulator: Polyamide
 Contacts: Copper Alloy with Gold Plating

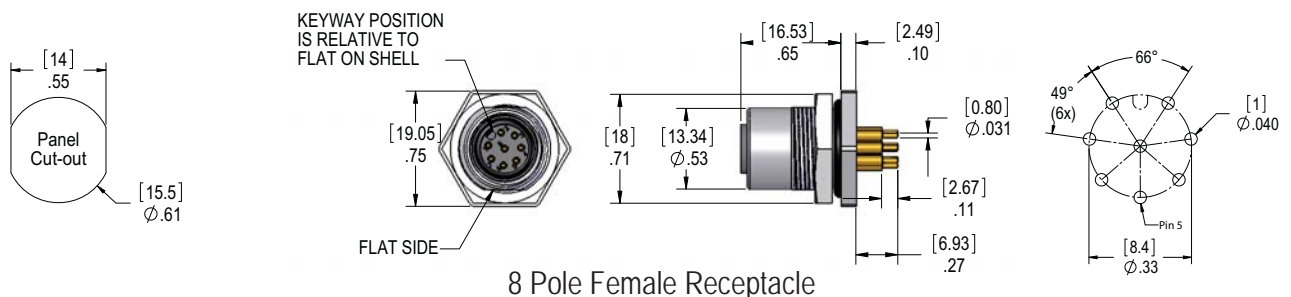
Jam Nut: Nickel Plated Brass
 O-Ring: BUNA-N
 Temperature: -40°C to 105°C (-40°F to +221°F)
 Protection: IP 67



Female Receptacle

Male Receptacle

PCB Layout



8 Pole Female Receptacle

Micro-DC Series (M12) Receptacles

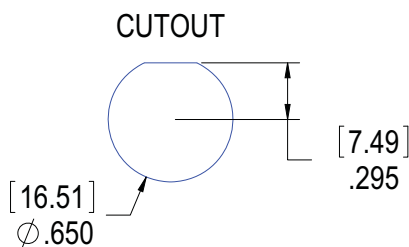
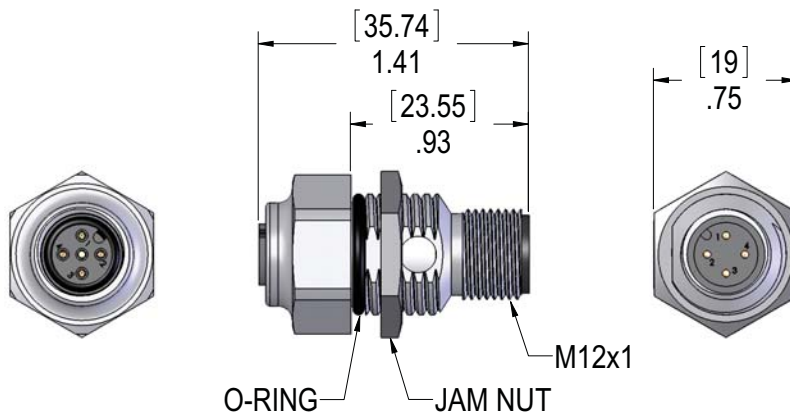
Male to Female ❖ Through Cabinet Coupling



Face View of Male	# of Poles	Rating	Wiring	Part Number	Face View of Female
	4	300V 4A	1 to 1 2 to 2 3 to 3 4 to 4	MDC-4MFR-TM	
	5	300V 4A	1 to 1 2 to 2 3 to 3 4 to 4 5 to 5	MDC-5MFR-TM	

Specifications:

Shell: Clear Anodized Aluminum
 Insulator: Nylon
 Contacts: Copper Alloy with Gold Plating
 O-Rings: NBR
 Temperature: -40°C to 105°C (-40°F to +221°F)
 Protection: IP 67



MDC Series (Micro-DC) Receptacles



Micro-DC Series (M12) Receptacles

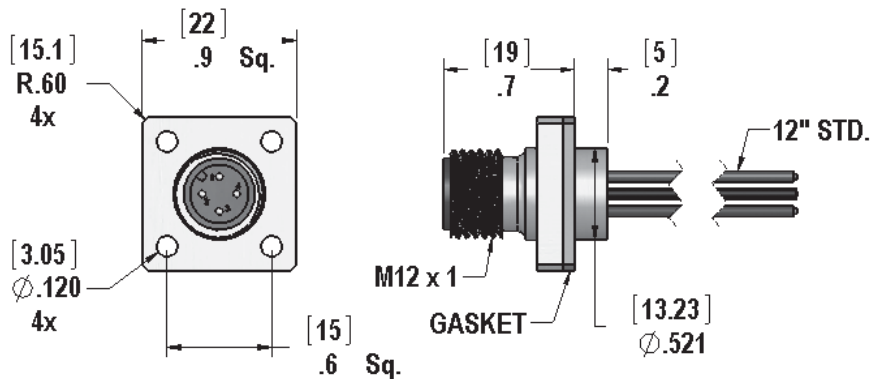
Male ❖ Panel Mounted

Face View of Female	# of Poles	Color Code	Wire AWG Rating	Male Receptacle
	2	1-Not Used 2-Not Used 3-Brown 4-Blue	22 18 300V 4A	MDC-2MR-PM MDC-2MR-PM-18
	3	1-Brown 2-Not Used 3-Blue 4-Black	22 18 300V 4A	MDC-3MR-PM MDC-3MR-PM-18
	4	1-Brown 2-White 3-Blue 4-Black	22 18 300V 4A	MDC-4MR-PM MDC-4MR-PM-18
	5	1-Brown 2-White 3-Blue 4-Black 5-Gray	22 18 300V 4A	MDC-5MR-PM MDC-5MR-PM-18
	6	1-Brown 2-White 3-Blue 4-Black 5-Gray 6-Pink	24 60V 2A	MDC-6MR-PM
	8	1-White 2-Brown 3-Green 4-Yellow 5-Gray 6-Pink 7-Blue 8-Red	24 60V 2A	MDC-8MR-PM

MDC Series (Micro-DC) Receptacles

Specifications:

Shell: Nickel Plated Brass
 Insulator: Nylon
 Wire: 18, 22 & 24 AWG: 300V,
 UL Style 1007/1569
 Contacts: Copper Alloy with Gold Plating
 Gasket: NBR
 Temperature: -40°C to 105°C (-40°F to +221°F)
 Protection: IP 67
 Approvals: U.S.: UL Recognized
 Canada: C-UL Recognized



Micro-DC Series (M12) Receptacles

Solder Cup 1/2"-14 NPT & Metric Mounting Threads



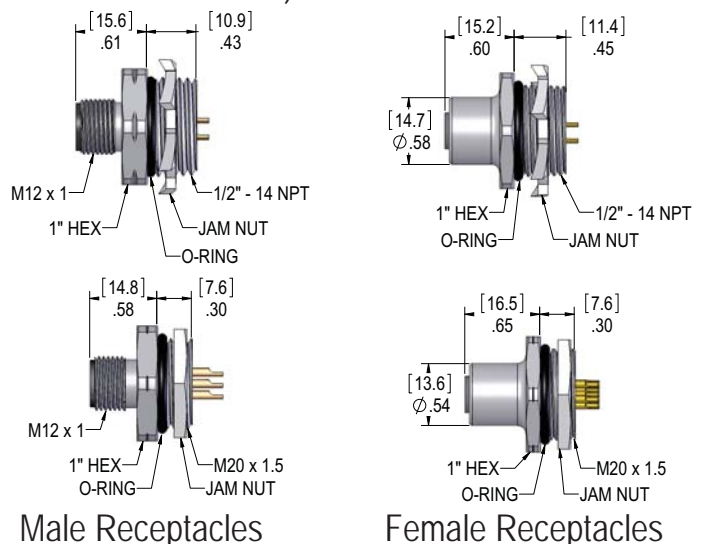
Face View of Male	# of Poles	Wire AWG Rating	Male Receptacles	Female Receptacles	Male Receptacles	Female Receptacles
			1/2" - 14 NPT Threads	1/2" - 14 NPT Threads	M20 x 1.5 Threads	M20 x 1.5 Threads
	2	18 AWG MAX 300V 4A MAX	MDC-2MR-2-SC	MDC-2FR-2-SC	MDC-2MR-M20-SC	MDC-2FR-M20-SC
	3	18 AWG MAX 300V 4A MAX	MDC-3MR-2-SC	MDC-3FR-2-SC	MDC-3MR-M20-SC	MDC-3FR-M20-SC
	4	18 AWG MAX 300V 4A MAX	MDC-4MR-2-SC	MDC-4FR-2-SC	MDC-4MR-M20-SC	MDC-4FR-M20-SC
	5	18 AWG MAX 300V 4A MAX	MDC-5MR-2-SC	MDC-5FR-2-SC	MDC-5MR-M20-SC	MDC-5FR-M20-SC
	6	24 AWG MAX 60V 2A MAX	MDC-6MR-2-SC	MDC-6FR-2-SC	MDC-6MR-M20-SC	MDC-6FR-M20-SC
	8	18 AWG MAX 60V 2A MAX	MDC-8MR-2-SC	MDC-8FR-2-SC	MDC-8MR-M20-SC	MDC-8FR-M20-SC

MDC Series (Micro-DC) Receptacles

Other mounting threads are available, please consult the factory. Stainless Steel is available for the 1/2" NPT version, add a "-SS" suffix (e.g. MDC-8MR-2-SC becomes MDC-8MR-2-SC-SS).

Specifications:

- Shell: Clear Anodized Aluminum
- Insulator: Polyamide
- Contacts: Copper Alloy with Gold Plating
- Jam Nut: Steel Zinc Plate
- O-Ring: BUNA-N
- Temperature: -40°C to 105°C (-40°F to +221°F)
- Protection: IP 67





Micro DC Series (M12) Accessories

Accessories

Jam Nuts: NPT, PG & Metric Threads					
Part #	Thread	Figure	A	Thickness	Material
214M	1/4" NPT	1	17.3 mm	3.3 mm	Steel Zinc Plate
212M	1/2" NPT	2	28.5 mm	3.3 mm	Steel Zinc Plate
209M	PG 9	1	18 mm	3.0 mm	Brass Nickel Plate
213M	PG 13.5	1	21 mm	3.0 mm	Brass Nickel Plate
2M16M	M16 x 1.5	1	19 mm	2.8 mm	Brass Nickel Plate
2M20M	M20 x 1.5	1	24 mm	3.0 mm	Brass Nickel Plate

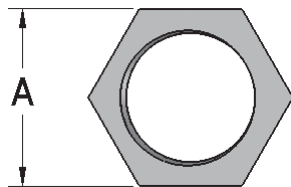


Figure 1

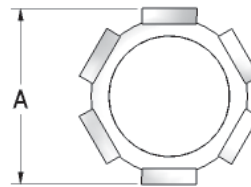


Figure 2



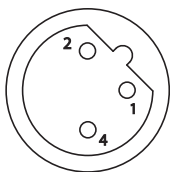
EURO-AC Series

Cordsets 2-3

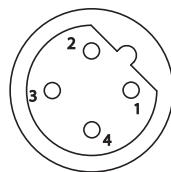


EURO -AC Series

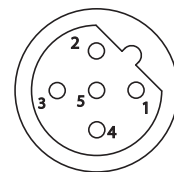
Receptacles 4-7



3 Pole



4 Pole



5 Pole



EURO-AC Series Cordsets

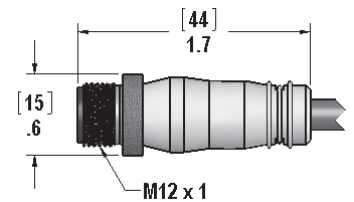
PVC Cable ❖ 22 AWG 300V Male & Female Plugs

Face View of Male	# of Poles	Color Code	Wire AWG Rating	Length	Male Straight	Female Straight	Female Right Angle
	3	1-Brown 2-Blue 3-Not Used 4-Green/Yellow	22 300V 4A	2 M 5 M 10 M	MEC-3MP-2M MEC-3MP-5M MEC-3MP-10M	MEC-3FP-2M MEC-3FP-5M MEC-3FP-10M	MEC-3FP-2M-R MEC-3FP-5M-R MEC-3FP-10M-R
	4	1-Brown 2-Blue 3-Black 4-Green/Yellow	22 300V 4A	2 M 5 M 10 M	MEC-4MP-2M MEC-4MP-5M MEC-4MP-10M	MEC-4FP-2M MEC-4FP-5M MEC-4FP-10M	MEC-4FP-2M-R MEC-4FP-5M-R MEC-4FP-10M-R
	5	1-Brown 2-White 3-Blue 4-Black 5-Green/Yellow	22 300V 4A	2 M 5 M 10 M	MEC-5MP-2M MEC-5MP-5M MEC-5MP-10M	MEC-5FP-2M MEC-5FP-5M MEC-5FP-10M	MEC-5FP-2M-R MEC-5FP-5M-R MEC-5FP-10M-R

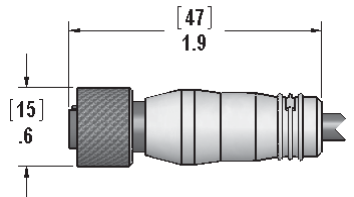
Specifications:

Body: Oil Resistant Yellow PVC
 Insulator: Nylon
 Contacts: Copper Alloy with Gold Plating
 Coupling Nut: Nickel Plated Brass
 Cable: Oil Resistant Yellow PVC Jacket,
 Rated at 300V, 105°C, Non-Wicking,
 Non-Hygroscopic
 Conductors: 22 AWG, PVC Insulated
 O-Ring: BUNA-N
 Temperature: -40°C to +105°C (-40°F to +221°F)
 Protection: IP 67
 Approvals: U.S.: UL Recognized
 Canada: C-UL Recognized

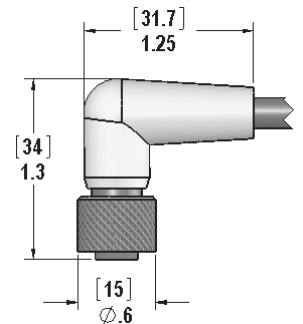
Straight Male Plug



Straight Female Plug

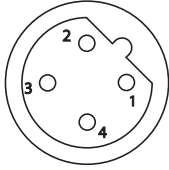
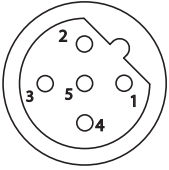


Right Angle Female Plug



EURO-AC Series Field Wireable Plugs

Male & Female ❖ 1/2"-14 NPT & 1/4"-18 NPT Mounting Threads

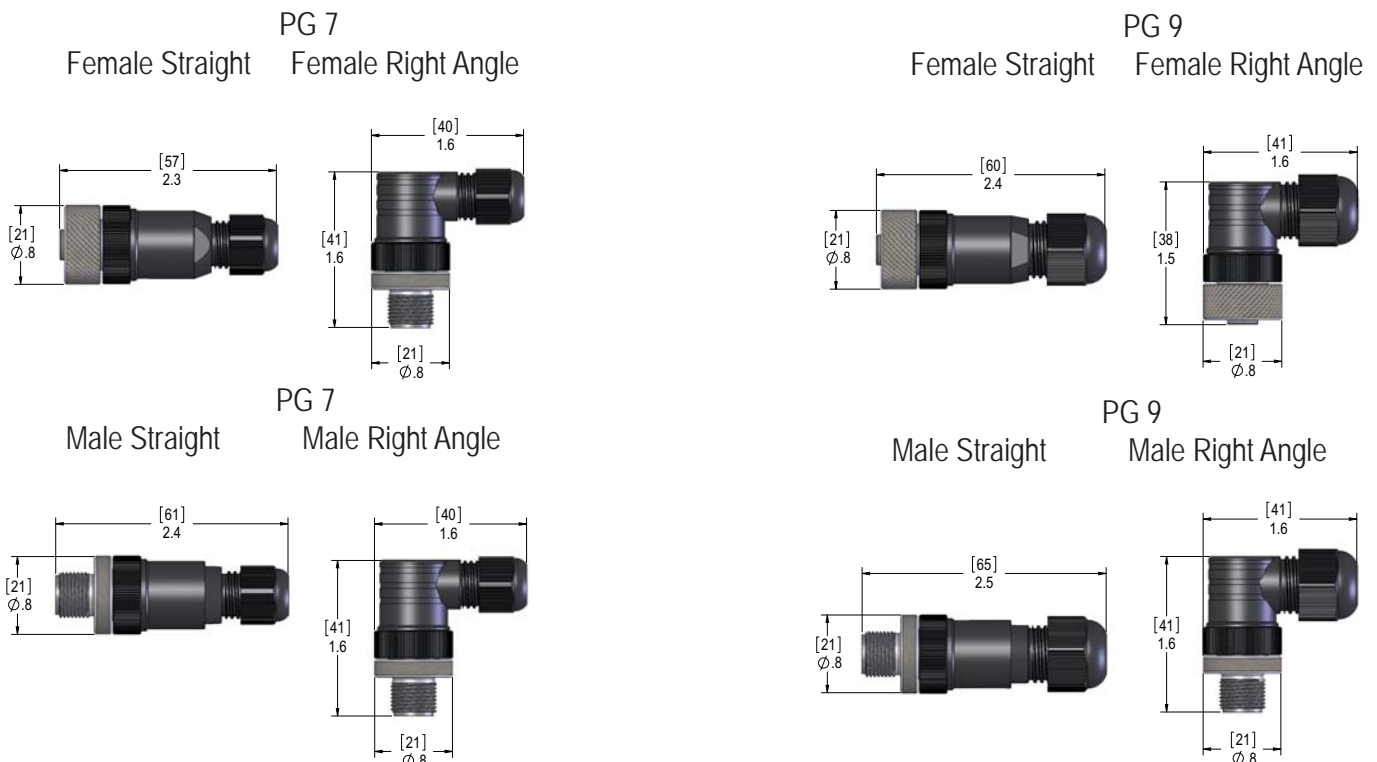
Face View of Male	# of Poles	Wire AWG Rating	PG Size	Cable Range	Male Straight	Male Right Angle	Female Straight	Female Right Angle
	4	18-24	PG 7	3 - 6.5 mm	MEC-4MP-FW07	MEC-4MP-FW07-R	MEC-4FP-FW07	MEC-4FP-FW07-R
		50V 4A	PG 9	4 - 8 mm	MEC-4MP-FW09	MEC-4MP-FW09-R	MEC-4FP-FW09	MEC-4FP-FW09-R
	5	18-24	PG 7	3 - 6.5 mm	MEC-5MP-FW07	MEC-5MP-FW07-R	MEC-5FP-FW07	MEC-5FP-FW07-R
		50V 4A	PG 9	4 - 8 mm	MEC-5MP-FW09	MEC-5MP-FW09-R	MEC-5FP-FW09	MEC-5FP-FW09-R

These connectors are easily wired by inserting the individual wires into the screw terminal contacts. The connectors are water tight to IP 67 and are fully mateable with other "EURO-AC" style connectors. Stainless Steel is available, add "-SS" to the part number (e.g. MEC-4MP-FW07-SS).

Specifications:

- Body: Black Polyamide
- Insulator: Black Polyamide
- Contacts: Copper Alloy with Gold Plating
- Coupling Nut: Nickel Plated Brass
- Seal: NBR
- Temperature: -25°C to +85°C (-13°F to +185°F)
- Protection: IP 67

EURO -AC Series





EURO-AC Series Receptacles

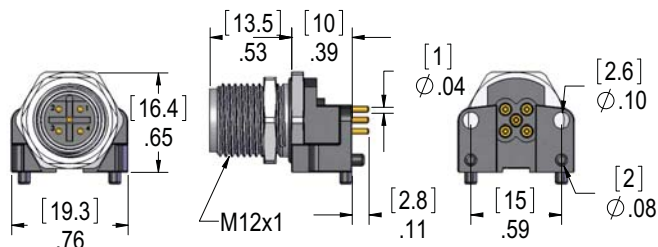
PCB Mount ❖ Male

Face View of Male	# of Poles	Rating	Style	Male Receptacles	
				Straight	Right Angle
	4	300V 4A	PCB Mount	MEC-4MR-PCB	MEC-4MR-PCB-R
			PCB Mount w/ Ground Tab	MECM-4MR-PCB	MECM-4MR-PCB-R
	5	150V 4A	PCB Mount	MEC-5MR-PCB	MEC-5MR-PCB-R
			PCB Mount w/ Ground Tab	MECM-5MR-PCB	MECM-5MR-PCB-R

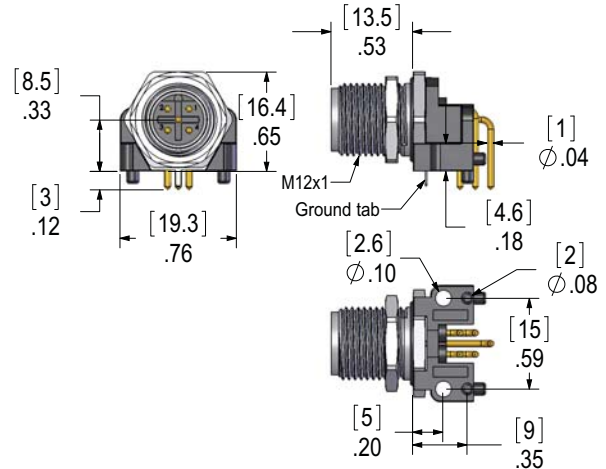
Specifications:

Body: Polyamide
 Contacts: Copper Alloy with Gold Plating
 Shell: Nickel Plated Brass
 O-Ring: BUNA-N
 Approvals: U.S.: UL Recognized
 Canada: C-UL Recognized
 *MECM versions are pending approval

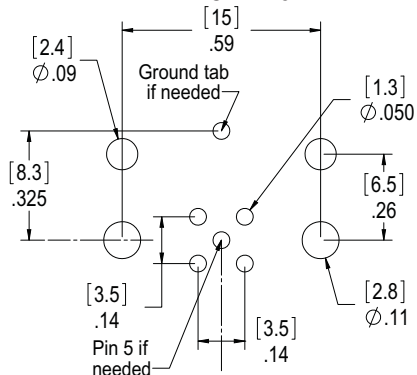
Male Straight



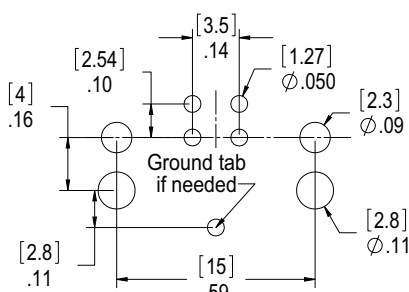
Male Right Angle



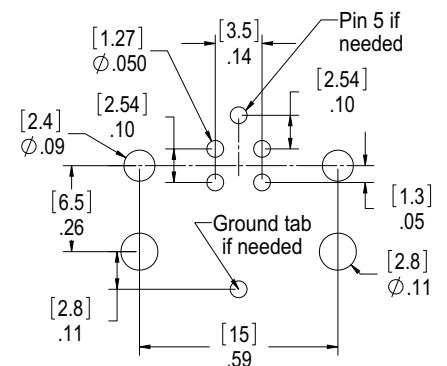
5 Pole Male Straight Layout



4 Pole Male Right Angle Layout



Male Right Angle Layout



EURO-AC Series Receptacles

PCB Mount ❖ Female

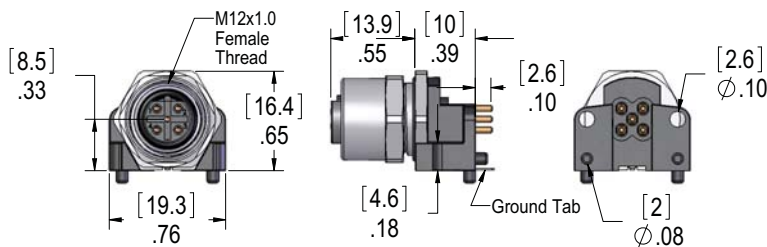


Face View of Female	# of Poles	Rating	Style	Female Receptacles	
				Straight	Right Angle
	4	300V 4A	PCB Mount	MEC-4FR-PCB	MEC-4FR-PCB-R
			PCB Mount w/ Ground Tab	MECM-4FR-PCB	MECM-4FR-PCB-R
	5	150V 4A	PCB Mount	MEC-5FR-PCB	MEC-5FR-PCB-R
			PCB Mount w/ Ground Tab	MECM-5FR-PCB	MECM-5FR-PCB-R

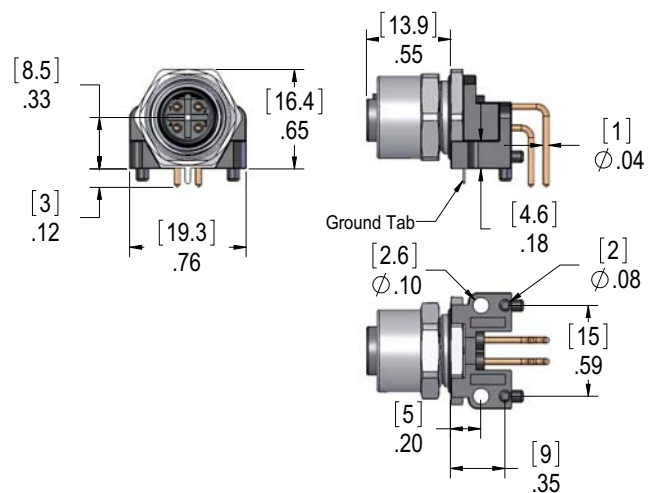
Specifications:

- Body: Polyamide
 - Contacts: Copper Alloy with Gold Plating
 - Shell: Nickel Plated Brass
 - O-Ring: BUNA-N
 - Approvals: U.S.: UL Recognized
Canada: C-UL Recognized
- *MECM versions are pending approval

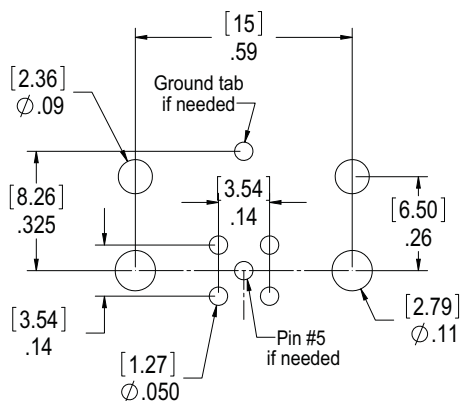
Female Straight



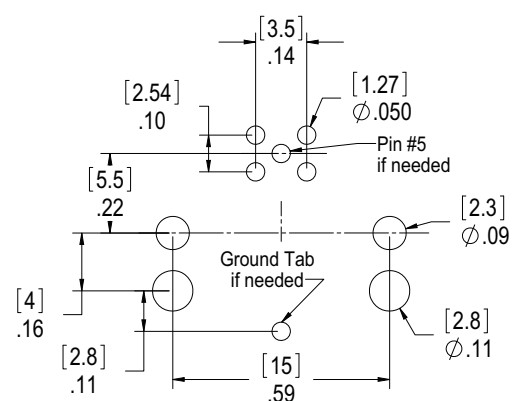
Female Right Angle



Female Straight Layout



Female Right Angle Layout



EURO -AC Series



EURO-AC Series Receptacles

Male & Female ❖ 1/2"-14 NPT & 1/4"-18 NPT Mounting Threads

Face View of Male	# of Poles	Color Code	Wire AWG Rating	Male Receptacles		Female Receptacles	
				1/4" - 18 NPT Threads	1/2" - 14 NPT Threads	1/4" - 18 NPT Threads	1/2" - 14 NPT Threads
	3	1-Brown 2-Blue 3-Not Used 4-Green/Yellow	22 18 300V 4A	MEC-3MR-4 MEC-3MR-4-18	MEC-3MR-2 MEC-3MR-2-18	MEC-3FR-4 MEC-3FR-4-18	MEC-3FR-2 MEC-3FR-2-18
	4	1-Brown 2-Blue 3-Black 4-Green/Yellow	22 18 300V 4A	MEC-4MR-4 MEC-4MR-4-18	MEC-4MR-2 MEC-4MR-2-18	MEC-4FR-4 MEC-4FR-4-18	MEC-4FR-2 MEC-4FR-2-18
	5	1-Brown 2-White 3-Blue 4-Black 5-Green/Yellow	22 300V 4A	MEC-5MR-4	MEC-5MR-2	MEC-5FR-4	MEC-5FR-2

PG9 and M20 threading is also available. To order replace "4" with "PG9" or "M20" (e.g. MEC-4MR-PG9). 12" leads are standard. Longer lead lengths are available, please consult the factory for part numbers. Stainless Steel is available, add "-SS" to the part number (e.g. MEC-4MR-4-SS).

Specifications:

Shell: 1/2" NPT: Clear Anodized Aluminum
1/4" NPT: Nickel Plated Brass

Insulator: Polyamide

Wire: 18, 22 AWG UL Style 1007/1569, 300V

Contacts: Copper Alloy with Gold Plating

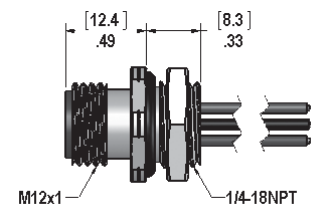
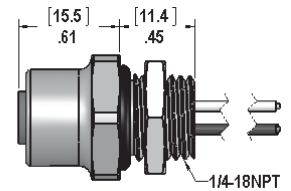
O-Ring: BUNA-N

Temperature: -40°C to +105°C (-40°F to +221°F)

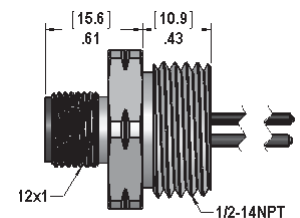
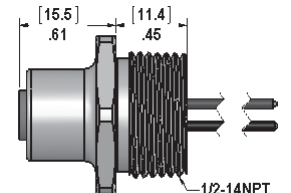
Protection: IP 67

Approvals: U.S.: UL Recognized

1/4" - 18 NPT

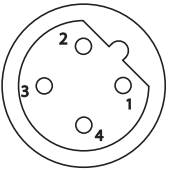
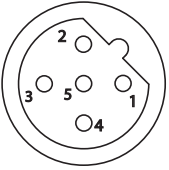


1/2" - 14 NPT



EURO-AC Series Receptacles

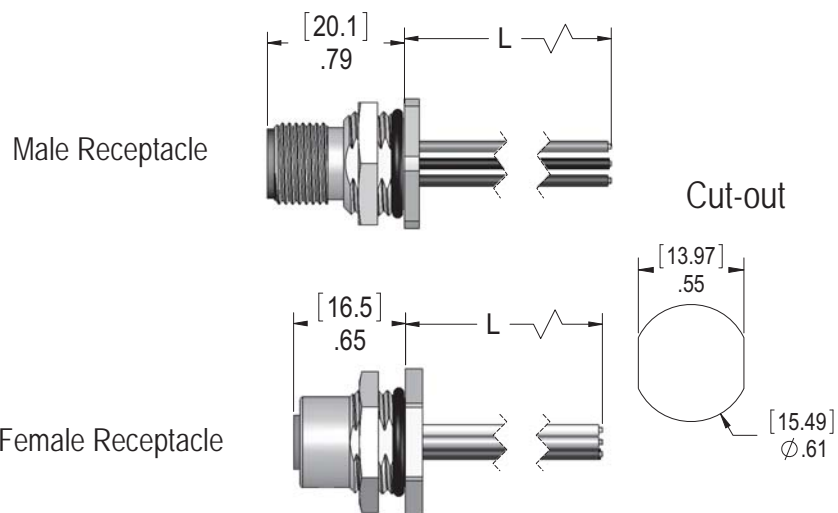
18 & 22 AWG 300V ❖ Back Mount

Face View of Male	# of Poles	Color Code	Wire AWG Rating	Male Receptacles	Female Receptacles
	4	1-Brown 2-White 3-Blue 4-Black	22 18 300V 4A	MEC-4MR-BM MEC-4MR-BM-18	MEC-4FR-BM MEC-4FR-BM-18
	5	1-Brown 2-White 3-Blue 4-Black 5-Gray	22 18 300V 4A	MEC-5MR-BM MEC-5MR-BM-18	MEC-5FR-BM MEC-5FR-BM-18

12" leads are standard. Longer lead lengths are available, please consult the factory for part numbers.

Specifications:

Shell: Nickel Plated Brass
 Insulator: Polyamide
 Wire: 22 AWG: 300V, UL Style 1007/1569
 Contacts: Copper Alloy with Gold Plating
 Jam Nut: Nickel Plated Brass
 O-Ring: BUNA-N
 Temperature: -40°C to 105°C (-40°F to +221°F)
 Protection: IP 67
 Approvals: U.S.: UL Recognized
 Canada: C-UL Recognized







NAN Series

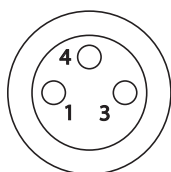
Snap-On 2

Thread-On 3

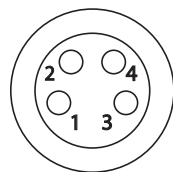
LED 4

Field Wireable 5

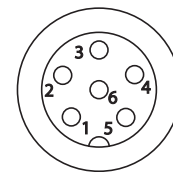
Receptacle 6



3 Pole



4 Pole



6 Pole

NAN Series



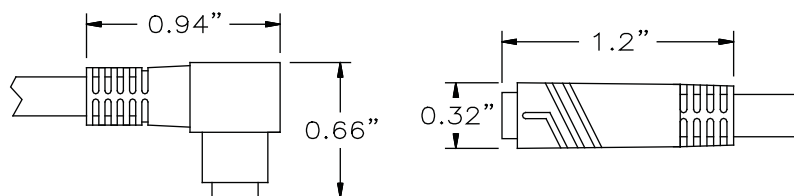
NAN Series Snap-On Cordsets

PVC & PUR Cable ❖ Snap-On Style Female Plugs

PVC Version						
Face View of Female	# of Poles	Color Code	Rating	Length	Female Straight	Female Right Angle
	3	1-Brown 2-Not Used 3-Blue 4-Black	60V 4A	2 M 5 M 10 M	NAN-3FP-2M NAN-3FP-5M NAN-3FP-10M	NAN-3FP-2M-R NAN-3FP-5M-R NAN-3FP-10M-R
	4	1-Brown 2-White 3-Blue 4-Black	60V 4A	2 M 5 M 10 M	NAN-4FP-2M NAN-4FP-5M NAN-4FP-10M	NAN-4FP-2M-R NAN-4FP-5M-R NAN-4FP-10M-R
PUR Version						
Face View of Female	# of Poles	Color Code	Rating	Length	Female Straight	Female Right Angle
	3	1-Brown 2-Not Used 3-Blue 4-Black	60V 4A	2 M 5 M 10 M	NANP-3FP-2M NANP-3FP-5M NANP-3FP-10M	NANP-3FP-2M-R NANP-3FP-5M-R NANP-3FP-10M-R
	4	1-Brown 2-White 3-Blue 4-Black	60V 4A	2 M 5 M 10 M	NANP-4FP-2M NANP-4FP-5M NANP-4FP-10M	NANP-4FP-2M-R NANP-4FP-5M-R NANP-4FP-10M-R

Specifications:

Body: Black PUR or Oil Resistant Black PVC
 Insulator: Polyamide
 Contacts: Copper Alloy with Gold Plating
 Cable: Black PUR or Oil Resistant Black PVC Jacket
 Cable O.D.: 0.18"
 Conductors: 24 AWG, 60V
 Temperature: PUR: -40°C to +80°C (-40°F to +176°F)
 PVC: -25°C to +105°C (-13°F to +221°F)
 Protection: IP 67
 Approvals: Pending: U.S.: UL and Canada: C-UL



NAN Series Thread-On Cordsets

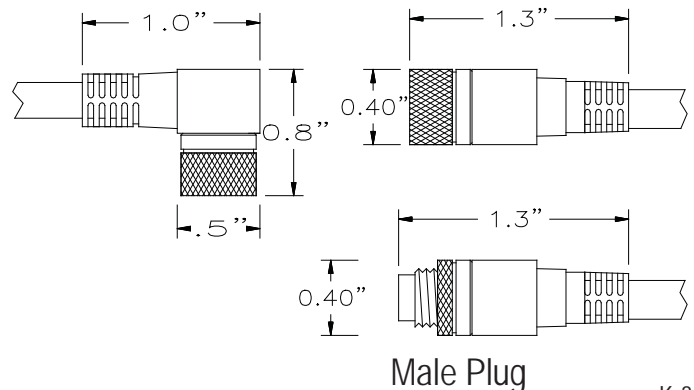
PVC & PUR Cable ❖ Thread-On Style Plugs



PVC Version							
Face View of Male	# of Poles	Color Code	Rating	Length	Female Straight	Female Right Angle	Male Straight
	3	1-Brown 2-Not Used 3-Blue 4-Black	60V 4A	2 M 5 M 10 M	NAN-T-3FP-2M NAN-T-3FP-5M NAN-T-3FP-10M	NAN-T-3FP-2M-R NAN-T-3FP-5M-R NAN-T-3FP-10M-R	NAN-T-3MP-2M NAN-T-3MP-5M NAN-T-3MP-10M
	4	1-Brown 2-White 3-Blue 4-Black	60V 4A	2 M 5 M 10 M	NAN-T-4FP-2M NAN-T-4FP-5M NAN-T-4FP-10M	NAN-T-4FP-2M-R NAN-T-4FP-5M-R NAN-T-4FP-10M-R	NAN-T-4MP-2M NAN-T-4MP-5M NAN-T-4MP-10M
	6	1-Brown 2-White 3-Blue 4-Black 5-Gray 6-Pink	60V 4A	2 M 5 M 10 M	NAN-T-6FP-2M NAN-T-6FP-5M NAN-T-6FP-10M		NAN-T-6MP-2M NAN-T-6MP-5M NAN-T-6MP-10M
Polyurethane Version							
Face View of Female	# of Poles	Color Code	Rating	Length	Female Straight	Female Right Angle	
	3	1-Brown 2-Not Used 3-Blue 4-Black	60V 4A	2 M 5 M	NANP-T-3FP-2M NANP-T-3FP-5M	NANP-T-3FP-2M-R NANP-T-3FP-5M-R	
	4	1-Brown 2-White 3-Blue 4-Black	60V 4A	2 M 5 M	NANP-T-4FP-2M NANP-T-4FP-5M	NANP-T-4FP-2M-R NANP-T-4FP-5M-R	

Specifications:

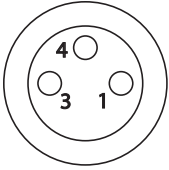
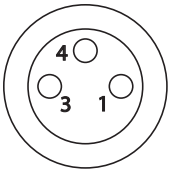
Body: Black PUR or Oil Resistant Black PVC
Insulator: Polyamide
Contacts: Copper Alloy with Gold Plating
Coupling Nut: Nickel Plated Brass
Cable: Black PUR or Oil Resistant Black PVC Jacket
Cable O.D.: 3, 4, & 6 pole 0.18" (4.5mm)
Conductors: 3 & 4 pole, 24 AWG, 60V
 6 pole, 26 AWG, 60V
O-Ring: BUNA-N
Temperature: PUR: -40°C to +80°C (-40°F to +176°F)
 PVC: -25°C to +105°C (-13°F to +221°F)
Protection: IP 67





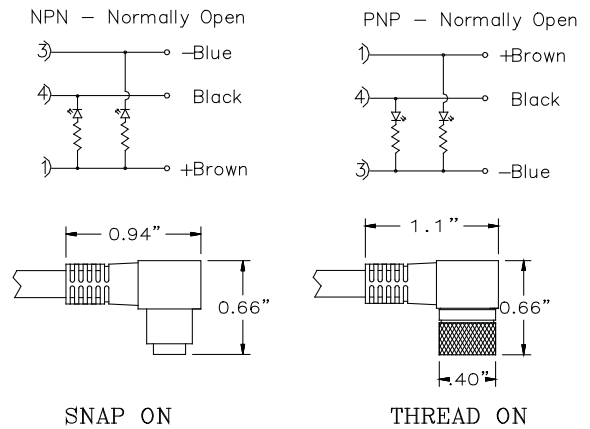
NAN Series Snap-On & Thread-On Cordsets

Lighted Plugs

Snap-On Style						
Face View of Female	# of Poles	Color Code	Wire AWG Rating	Length	PNP Normally Open	NPN Normally Open
	3	1-Brown 2-Not Used 3-Blue 4-Black	24 30VDC 4A	2 M 5 M	NAN-3FP-2M-R-PNP NAN-3FP-5M-R-PNP	NAN-3FP-2M-R-NPN NAN-3FP-5M-R-NPN
Thread-On Style						
Face View of Female	# of Poles	Color Code	Wire AWG Rating	Length	PNP Normally Open	NPN Normally Open
	3	1-Brown 2-Not Used 3-Blue 4-Black	24 30VDC 4A	2 M 5 M	NAN-T-3FP-2M-R-PNP NAN-T-3FP-5M-R-PNP	NAN-T-3FP-2M-R-NPN NAN-T-3FP-5M-R-NPN

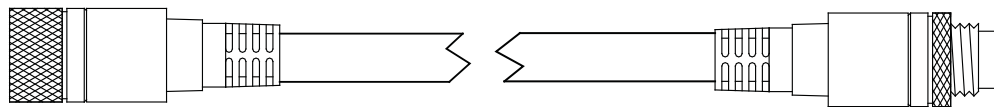
Specifications:

Body: Oil Resistant Transparent PVC
 Insulator: PUR
 Contacts: Copper Alloy with Gold Plating
 Coupling Nut: Nickel Plated Brass
 Cable: Oil Resistant Black PVC Jacket,
 Rated at 30V, 90°C, Non-Wicking,
 Non-Hygroscopic
 Cable O.D.: 0.18"
 Conductors: 24 AWG Bare Copper Wire
 PVC Insulated
 Temperature: -25°C to +90°C (-13°F to +194°F)
 Protection: IP 67



NAN Series Plugs

Extension Cable Thread-On Style Plugs ❖ Field Wireable Plugs



Specifications:

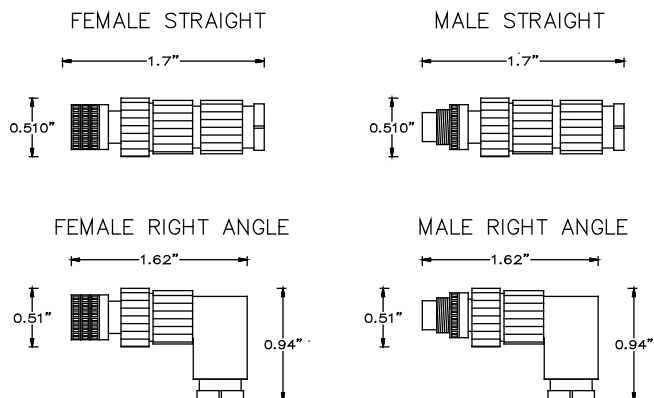
Body: Oil Resistant Black PVC
Insulator: Polyamide
Contacts: Copper Alloy with Gold Plating
Coupling Nut: Nickel Plated Brass
Cable: Oil Resistant Gray or Black PVC Jacket, Rated at 60V, 90°C, Non-Wicking, Non-Hygroscopic
Cable O.D.: 0.18"
Conductors: 24 AWG, 60V
Temperature: -25°C to +90°C (-13°F to +194°F)
Protection: IP 67

Extension Cable Thread-On Style Plugs				
Face View of Male	# of Poles	Wire AWG Rating	Length	Straight Male to Straight Female
	3	24 60V 4A	1 M	NAN-T-3MFP-1M
			2 M	NAN-T-3MFP-2M
			4 M	NAN-T-3MFP-4M
			5 M	NAN-T-3MFP-5M
			6 M	NAN-T-3MFP-6M
	4	24 60V 4A	1 M	NAN-T-4MFP-1M
			2 M	NAN-T-4MFP-2M
			4 M	NAN-T-4MFP-4M
			5 M	NAN-T-4MFP-5M
			6 M	NAN-T-4MFP-6M
	6	24 60V 4A	1 M	NAN-T-6MFP-1M
			2 M	NAN-T-6MFP-2M
			4 M	NAN-T-6MFP-4M
			5 M	NAN-T-6MFP-5M
			6 M	NAN-T-6MFP-6M

Field Wireable Plugs (Axial Piercing)							
Face View of Male	# of Poles	Wire AWG Rating	PG Size Cable Range	Female Straight	Female Right Angle	Male Straight	Male Right Angle
	3	22 - 24 60V 4A	PG 7 4 - 5 mm	NAN-T-3FP-FW	NAN-T-3FP-FW-R	NAN-T-3MP-FW	NAN-T-3MP-FW-R
		22 - 24 60V 4A		NAN-T-4FP-FW	NAN-T-4FP-FW-R	NAN-T-4MP-FW	NAN-T-4MP-FW-R

Specifications:

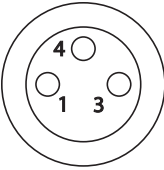
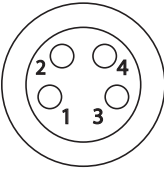
Body: Oil Resistant Black PVC
Insulator: Polyamide
Contacts: Copper Alloy with Gold Plating
Coupling Nut: Nickel Plated ZnAl
Temperature: -25°C to +90°C (-13°F to +194°F)
Protection: IP 67





NAN Series Receptacles

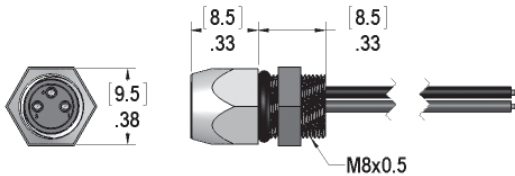
24 AWG 60V ❖ 1/2" - 14 NPT ❖ M8 x 0.5 Mounting Threads

Face View of Male	# of Poles	Color Code	Wire AWG Rating	Thread Type	Female Receptacle	Male Receptacle
	3	1-Brown 2-Not Used 3-Blue 4-Black	24 60V 4A	1/2" NPT M8 x 0.5	 NAN-T-3FR-M8	NAN-T-3MR-2 NAN-T-3MR-M8
	4	1-Brown 2-White 3-Blue 4-Black	24 60V 4A	1/2" NPT M8 x 0.5	 NAN-T-4FR-M8	NAN-T-4MR-2 NAN-T-4MR-M8

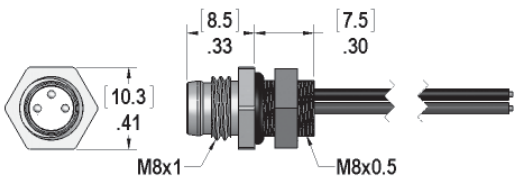
Specifications:

Shell: Nickel Plated Brass
 Insulator: Polyamide
 Contacts: Copper Alloy with Gold Plating
 Wires: 24 AWG
 O-Ring: BUNA-N
 Temperature: -25°C to +90°C (-13°F to +194°F)

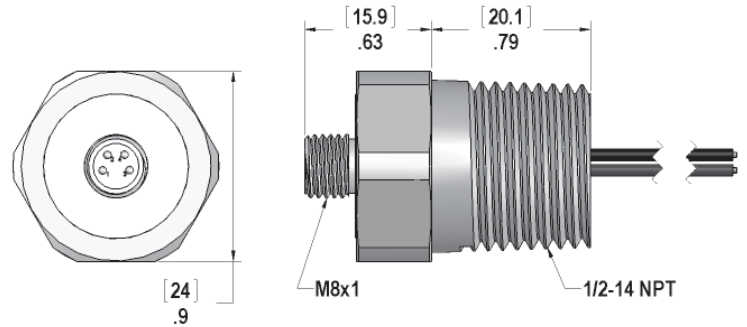
M8 Female Receptacle



M8 Male Receptacle



1/2" NPT Male Receptacle





DeviceNet Series

Cables 2-3



Cordset Accessories..... 4-5

Receptacles..... 6-9



Receptacle Accessories . 10-11

Junction Blocks..... 12-16

DeviceNet



DeviceNet Series MIN Cables

Single & Double Ended Cables

Trunk Cable - (Thick Cable O.D. 0.44")							
Face View of Male	# of Poles	Color Code	Wire AWG Rating	Length	Female Straight	Male Straight	Male - Female Extension
	5	1-Bare (Drain)	15 & 18	1M	MINDT-5FP-1M	MINDT-5MP-1M	MINDT-5MFP-1M
		2-Red (V+)		2M	MINDT-5FP-2M	MINDT-5MP-2M	MINDT-5MFP-2M
		3-Black (V-)	300V 8A	5M	MINDT-5FP-5M	MINDT-5MP-5M	MINDT-5MFP-5M
		4-White (CAN_H)		10M	MINDT-5FP-10M	MINDT-5MP-10M	MINDT-5MFP-10M
5-Blue (CAN_L)							
Drop Cable - (Thin Cable O.D. 0.29")							
Face View of Male	# of Poles	Color Code	Wire AWG Rating	Length	Female Straight	Male Straight	Male - Female Extension
	5	1-Bare (Drain)	22 & 24	1M	MINDD-5FP-1M	MINDD-5MP-1M	MINDD-5MFP-1M
		2-Red (V+)		2M	MINDD-5FP-2M	MINDD-5MP-2M	MINDD-5MFP-2M
		3-Black (V-)	300V 4A	5M	MINDD-5FP-5M	MINDD-5MP-5M	MINDD-5MFP-5M
		4-White (CAN_H)		10M	MINDD-5FP-10M	MINDD-5MP-10M	MINDD-5MFP-10M
5-Blue (CAN_L)							

Right angle versions are available, please consult the factory.

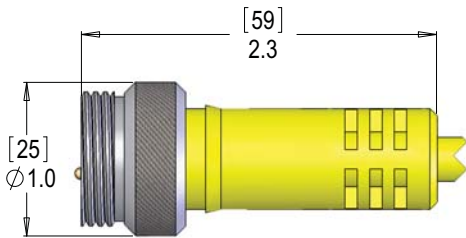
Trunk Cable Specifications:

Body: Oil Resistant Yellow PVC
 Contacts: Copper Alloy with Gold Plating
 Coupling Nut: Clear Anodized Aluminum
 Cable: Oil Resistant Gray PVC Jacket,
 Rated at 150V, 80°C,
 15 AWG Tinned Copper Power Pair
 18 AWG Tinned Copper Data Pair
 Temperature: -40°C to + 80°C (-40°F to +176°F)
 Protection: IP 67
 Approvals: U.S.: UL Recognized
 Canada: C-UL Recognized

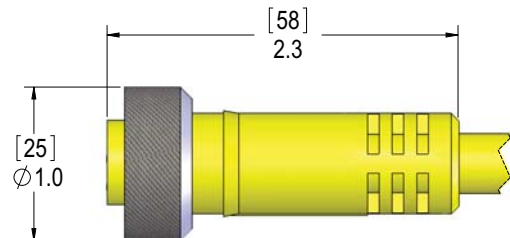
Drop Cable Specifications:

Body: Oil Resistant Yellow PVC
 Contacts: Copper Alloy with Gold Plating
 Coupling Nut: Clear Anodized Aluminum
 Cable: Oil Resistant Gray PVC Jacket,
 Rated at 150V, 80°C,
 22 AWG Tinned Copper Power Pair
 24 AWG Tinned Copper Data Pair
 Temperature: -40°C to + 80°C (-40°F to +176°F)
 Protection: IP 67
 Approvals: U.S.: UL Recognized
 Canada: C-UL Recognized

Male Straight Plug



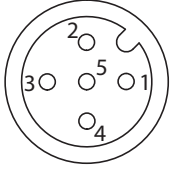
Female Straight Plug



DeviceNet MDC Cables & Receptacles

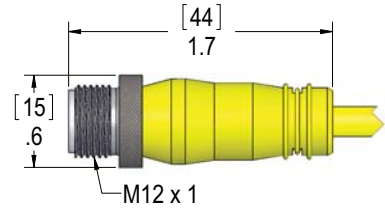
Single & Double Ended Cables ❖ Back Mount Female Receptacles



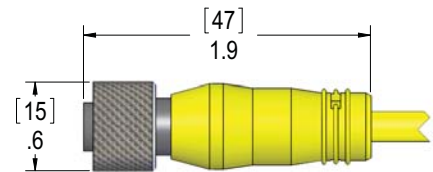
Face View of Male	# of Poles	Color Code	Wire AWG Rating	Length	Female Straight	Male Straight	Male - Female Extension
	5	1-Bare (Drain) 2-Red (V+) 3-Black (V-) 4-White (CAN_H) 5-Blue (CAN_L)	22 & 24 300V 4A	1M 2M 5M 10M	MDCDD-5FP-1M MDCDD-5FP-2M MDCDD-5FP-5M MDCDD-5FP-10M	MDCDD-5MP-1M MDCDD-5MP-2M MDCDD-5MP-5M MDCDD-5MP-10M	MDCDD-5MFP-1M MDCDD-5MFP-2M MDCDD-5MFP-5M MDCDD-5MFP-10M

Specifications:

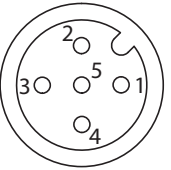
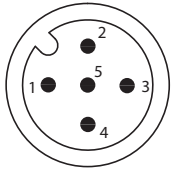
Body: Oil Resistant Yellow PVC
Insulator: Polyamide
Contacts: Copper Alloy with Gold Plating
Coupling Nut: Nickel Plated Brass
Cable: Oil Resistant Gray PVC Jacket,
 Rated at 150V, 80°C,
 22 AWG Tinned Copper Power Pair
 24 AWG Tinned Copper Data Pair
Temperature: -40°C to + 80°C (-40°F to +176°F)
Protection: IP 67
Approvals: U.S.: UL Recognized
 Canada: C-UL Recognized

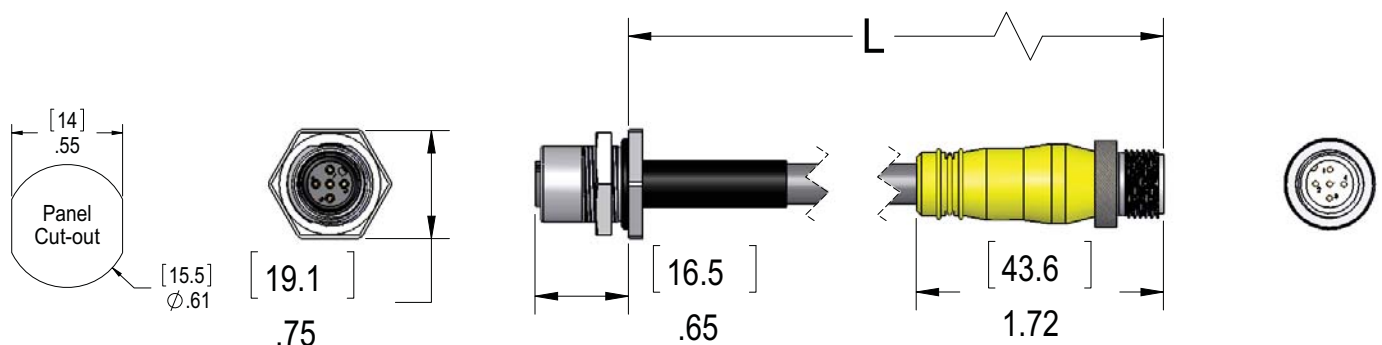


Male Plug



Female Plug

Male Plug to Back Mount Female Receptacle					
Face View of Male	# of Poles	Wire AWG Rating	Length	Female Straight	Face View of Female
	5	22 & 24 300V 4A	1M 2M 5M 10M	MDCDD-5FR-5MP-1M MDCDD-5FR-5MP-2M MDCDD-5FR-5MP-5M MDCDD-5FR-5MP-10M	





DeviceNet Series MIN to MDC Cables

Terminating Plugs & Double Ended Cables

Terminating Plugs					
MIN View	MIN Part Number		MDC Part Number		MDC View
	Male	Female	Male	Female	
	MINDN-5MP-DP1	MINDN-5FP-DP1	MDCDN-5MP-DP1	MDCDN-5FP-DP1	

Specifications:

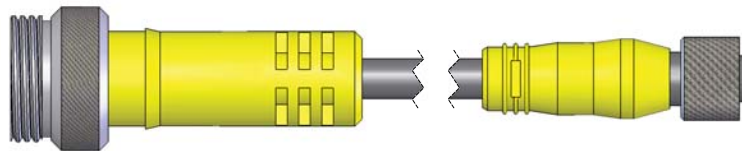
Body: Oil Resistant Yellow PVC
 Contacts: Copper Alloy with Gold Plating
 Coupling Nut: Clear Anodized Aluminum
 Temperature: -40°C to + 105°C (-40°F to +221°F)
 Protection: IP 67

Wiring:

Pin 4 to Pin 5 with 1/4 Watt 121 OHM 1% Resistor

DeviceNet

MIN Series to Micro-DC Series Double Ended Cables



Male MIN to Female MDC Drop Cable						
Face View of Male	# of Poles	Wiring	Wire AWG Rating	Length	Part Number	Face View of Female
	5	1 to 1 2 to 2 3 to 3 4 to 4 5 to 5	22 & 24 300V 4A	1M 2M 5M 10M	MINDCDD-5MFP-1M MINDCDD-5MFP-2M MINDCDD-5MFP-5M MINDCDD-5MFP-10M	

Right angle versions are available, please consult the factory.

MIN Series Specifications:

Insulator: Oil Resistant Yellow PVC
 Contacts: Copper Alloy with Gold Plating
 Coupling: Clear Anodized Aluminum
 Cable: Drop Cable
 Temperature: -40°C to + 80°C (-40°F to +176°F)

MDC Series Specifications:

Insulator: Polyamide
 Contacts: Copper Alloy with Gold Plating
 Coupling: Nickel Plated Brass

DeviceNet Series "T" Connectors

Male to Two Female "T"

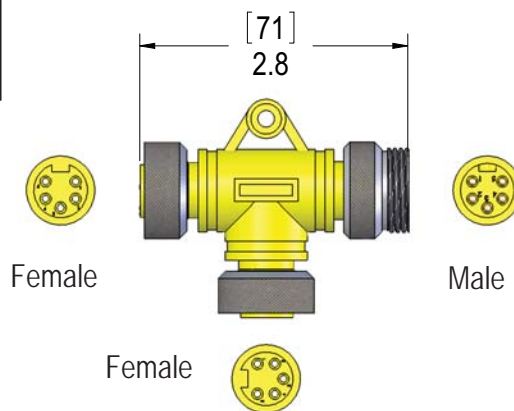
Face View of Male	# of Poles	Rating	Part Number	Face View of Female
	4	300V 10A	MIN-4MFF-T	
	5	300V 8A	MIN-5MFF-T	

Specifications:

Connector: Oil Resistant Yellow PVC
 Contacts: Copper Alloy with Gold Plating
 Coupling Nuts: Clear Anodized Aluminum
 Temperature: -40°C to + 105°C (-40°F to +221°F)

Wiring:

Pin 1 to Pin 1 to Pin 1
 Pin 2 to Pin 2 to Pin 2
 Etc.



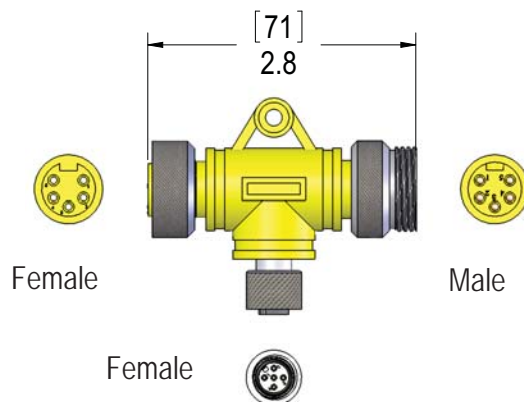
Part Number: MINDC-5MFF-T

Specifications:

Connector: Oil Resistant Yellow PVC
 Contacts: Copper Alloy with Gold Plating
 Coupling Nuts: Clear Anodized Aluminum
 Temperature: -40°C to + 105°C (-40°F to +221°F)

Wiring:

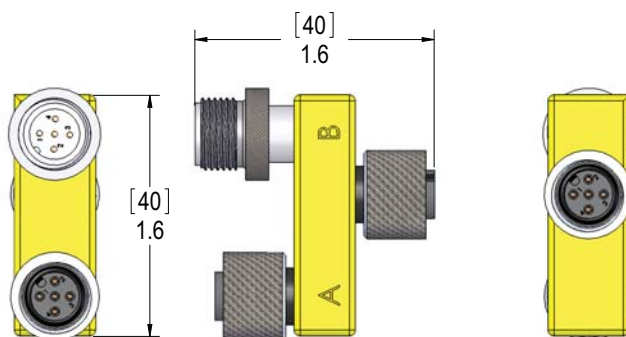
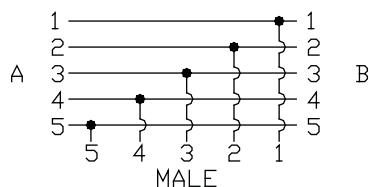
Pin 1 to Pin 1 to Pin 1
 Pin 2 to Pin 2 to Pin 2
 Etc.



Part Number: MD CDN-5FYMF

Specifications:

Connector: Oil Resistant Yellow PVC
 Contacts: Copper Alloy with Gold Plating
 Coupling Nuts: Clear Anodized Aluminum
 Temperature: -40°C to + 105°C (-40°F to +221°F)

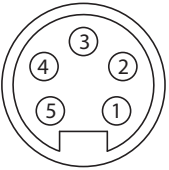
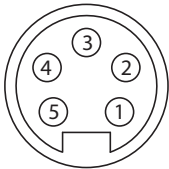
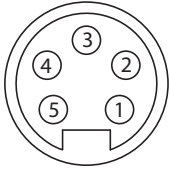


L-5



DeviceNet Series MIN Receptacles

Trunk Cable ❖ Drop Cable ❖ Male & Female

Face View of Male	# of Poles	Color Code	Wire AWG	Rating	Length	Male Straight	Female Straight	Figure
MIN Series Receptacles								
	5	1-Gray (Drain) 2-Red (V+) 3-Black (V-) 4-White (CAN_H) 5-Blue (CAN_L)	16 18 22	300V / 8A 300V / 8A 300V / 4A	1 FT	MIN-5MR-1-DN MIN-5MR-1-18-DN MIN-5MR-1-22-DN	MIN-5FR-1-DN MIN-5FR-1-18-DN MIN-5FR-1-22-DN	Figure A
Trunk Cable - (Thick Cable)								
	5	1-Bare (Drain) 2-Red (V+) 3-Black (V-) 4-White (CAN_H) 5-Blue (CAN_L)	15 & 18	300V 8A	1 M 2 M 3 M 6 M	MINDT-5MR-1M MINDT-5MR-2M MINDT-5MR-3M MINDT-5MR-6M	MINDT-5FR-1M MINDT-5FR-2M MINDT-5FR-3M MINDT-5FR-6M	Figure B
Drop Cable - (Thin Cable)								
	5	1-Bare (Drain) 2-Red (V+) 3-Black (V-) 4-White (CAN_H) 5-Blue (CAN_L)	22 & 24	300V 4A	1 M 2 M 3 M 6 M	MINDD-5MR-1M MINDD-5MR-2M MINDD-5MR-3M MINDD-5MR-6M	MINDD-5FR-1M MINDD-5FR-2M MINDD-5FR-3M MINDD-5FR-6M	Figure B

Metric and PG threads are available, please consult the factory.

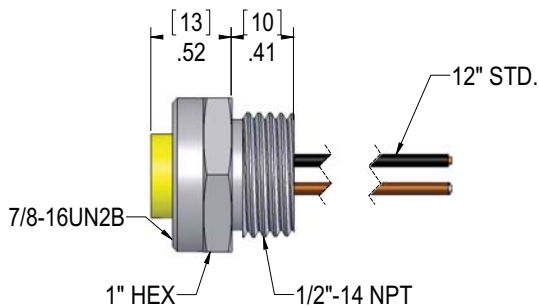


Figure A

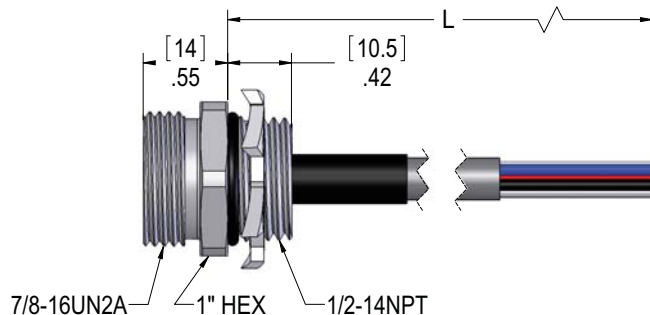


Figure B

Specifications:

Shell:	Clear Anodized Aluminum
Insulator:	105°C, Oil Resistant Yellow PVC
Wire:	16 AWG: UL Style 1015, 600V 18 & 22 AWG: UL Style 1007/1569, 300V
Cable:	DeviceNet Drop or DeviceNet Trunk
Contacts:	Copper Alloy with Gold Plating
O-Ring:	BUNA-N
Temperature:	-40°C to 90°C (-40°F to +194°F)
Protection:	IP 67
Approvals:	U.S.: UL Recognized Canada: C-UL Recognized

DeviceNet Series MDC Receptacles

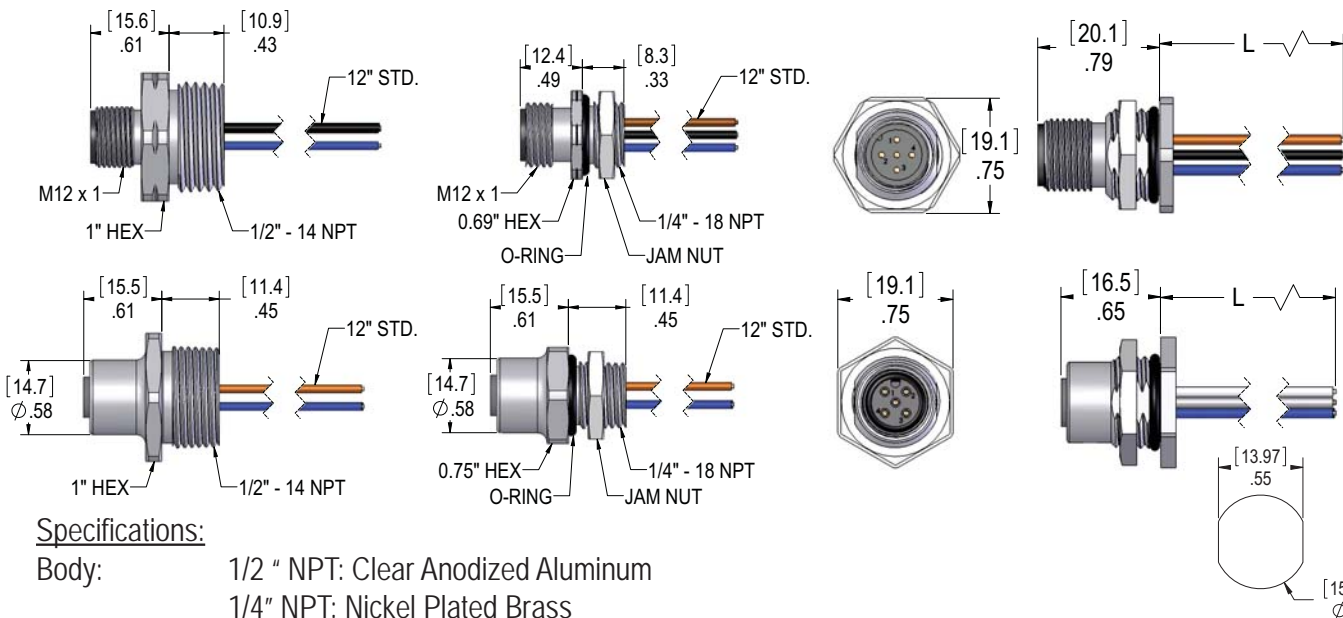
Male & Female Receptacles with Leads



Face View of Male	# of Poles	Color Code	Wire AWG Rating	Thread	Male Straight	Female Straight
Standard Receptacles						
	5	1-Gray (Drain) 2-Red (V+) 3-Black (V-) 4-White (CAN_H) 5-Blue (CAN_L)	18	1/2" NPT	MDC-5MR-2-18-DN	MDC-5FR-2-18-DN
			300V 8A	1/4" NPT	MDC-5MR-4-18-DN	MDC-5FR-4-18-DN
	5	1-Gray (Drain) 2-Red (V+) 3-Black (V-) 4-White (CAN_H) 5-Blue (CAN_L)	22	1/2" NPT	MDC-5MR-2-22-DN	MDC-5FR-2-22-DN
			300V 4A	1/4" NPT	MDC-5MR-4-22-DN	MDC-5FR-4-22-DN
Back Mount Receptacles						
	5	1-Gray (Drain) 2-Red (V+) 3-Black (V-) 4-White (CAN_H) 5-Blue (CAN_L)	18	N/A	MDC-5MR-BM-18-DN	MDC-5FR-BM-18-DN
			300V 8A			
	5	1-Gray (Drain) 2-Red (V+) 3-Black (V-) 4-White (CAN_H) 5-Blue (CAN_L)	22	N/A	MDC-5MR-BM-22-DN	MDC-5FR-BM-22-DN
			300V 4A			

Standard Receptacles

Back Mount Receptacles



Specifications:

Body: 1/2" NPT: Clear Anodized Aluminum
1/4" NPT: Nickel Plated Brass

Insulator: Polyamide

Wire: 18 & 22 AWG 300V, UL Style 1007/1569

Contacts: Copper Alloy with Gold Plating

Jam Nut: 1/4" NPT: Steel Zinc Plate

Back Mount: Nickel Plated Brass

O-Ring: BUNA-N

Temperature: -40°C to + 105°C (-40°F to +221°F)

Protection: IP 67

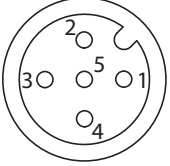
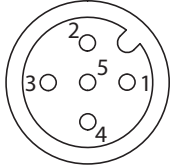
Approvals: U.S.: UL Recognized

Canada: C-UL Recognized

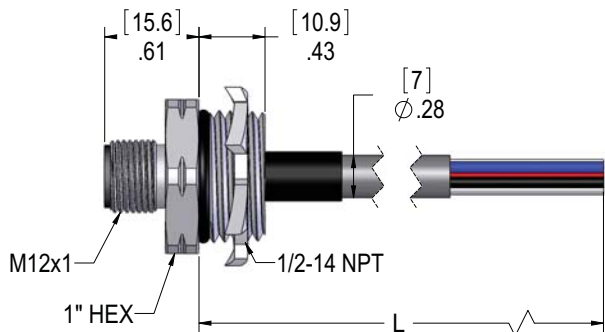


DeviceNet Series MDC Receptacles

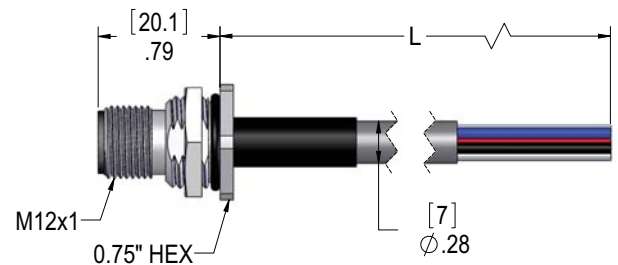
Male & Female Receptacles with Drop Cable

Standard Receptacles with Drop Cable - 1/2" NPT						
Face View of Male	# of Poles	Color Code	Wire AWG Rating	Length	Male Receptacle	Female Receptacle
	5	1-Bare (Drain) 2-Red (V+) 3-Black (V-) 4-White (CAN_H) 5-Blue (CAN_L)	22 & 24 300V 4A	1 M 2 M	MDCDD-5MR-2-1M MDCDD-5MR-2-2M	MDCDD-5FR-2-1M MDCDD-5FR-2-2M
Back Mount Receptacles with Drop Cable						
Face View of Male	# of Poles	Color Code	Wire AWG Rating	Length	Male Receptacle	Female Receptacle
	5	1-Bare (Drain) 2-Red (V+) 3-Black (V-) 4-White (CAN_H) 5-Blue (CAN_L)	22 & 24 300V 4A	1 M 2 M	MDCDD-5MR-BM-1M MDCDD-5MR-BM-2M	MDCDD-5FR-BM-1M MDCDD-5FR-BM-2M

Standard Receptacles
with Drop Cables

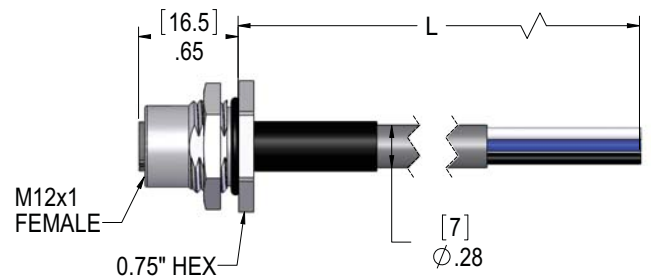
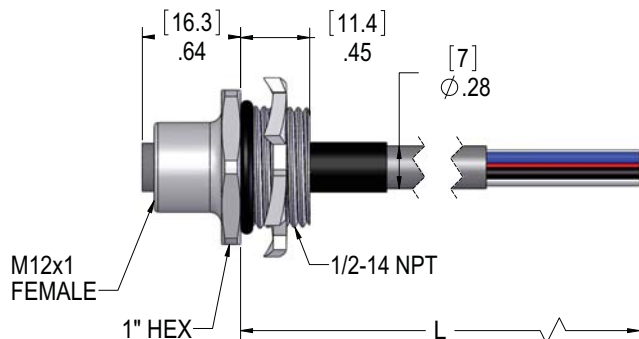


Male Receptacles



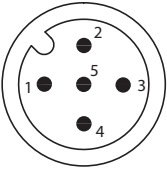
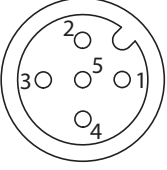
Back Mount Receptacles
with Drop Cables

Female Receptacles

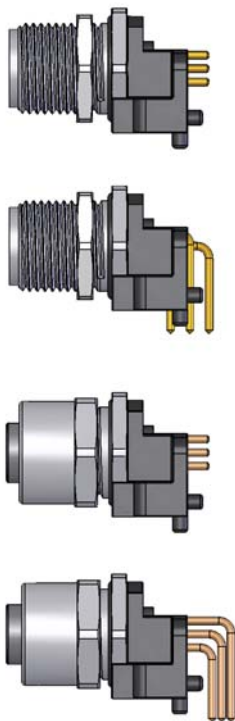


DeviceNet Series MDC Receptacles

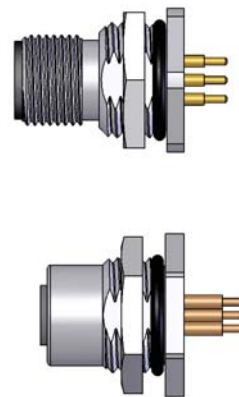
Male & Female Receptacles PCB Mount

PCB Mount						
Face View of Female	# of Poles	Rating	Male Straight Receptacle	Male Right Angle Receptacle	Female Straight Receptacles	Female Right Angle Receptacle
	5	150V 4A	MDC-5MR-PCB	MDC-5MR-PCB--R	MDC-5FR-PCB	MDC-5FR-PCB-R
Back Mount PCB						
Face View of Male	# of Poles	Rating	Male Receptacle	Female Receptacle		
	5	150V 4A	MDC-5MR-BM-PCB	MDC-5FR-BM-PCB		

For dimensions, please reference pages I-8, I-9 and I-10.



PCB Receptacles



Back Mount PCB Receptacles

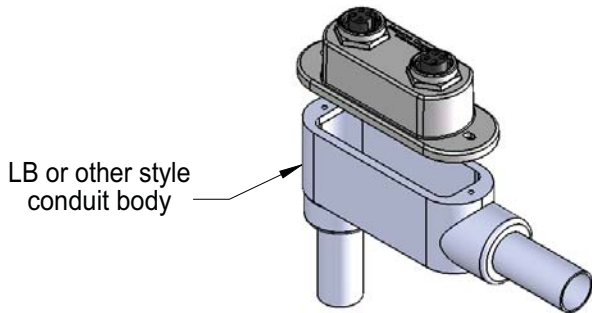
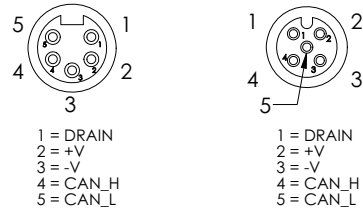
DeviceNet Series Accessories

Conduit Adapters ❖ MIN ❖ MDC ❖ 1 Port

Conduit Adapters				
Face Views	# of Poles	Rating	Part Number	Top View
	5	40V 8A	MINDN-1-5FR-CA	
	5	40V 4A	MDCDN-1-5FR-CA	

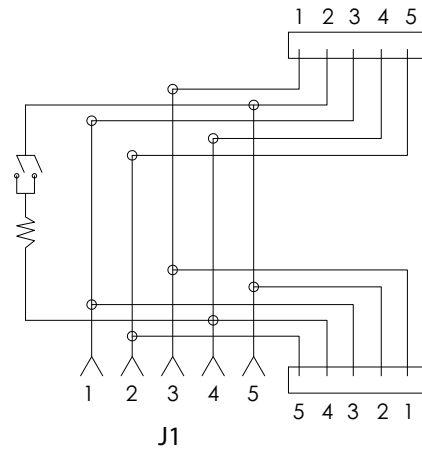
Specifications:

- Housing: Glass Filled PBT
- Recp. Shell: Nickel Plated Brass
- Insert: Polyamide
- Contacts: Copper Alloy with Gold Plating
- Gasket: NBR
- Temperature: -40°C to +70°C (-40°F to +158°F)
- Protection: IP 65



Remove existing Conduit Body cover and replace with Mencom Conduit Adapter.

Works with all standard 3/4" NPT conduit bodies, including Form 8 and Mark 9 adapters. (screws are included with adapter)



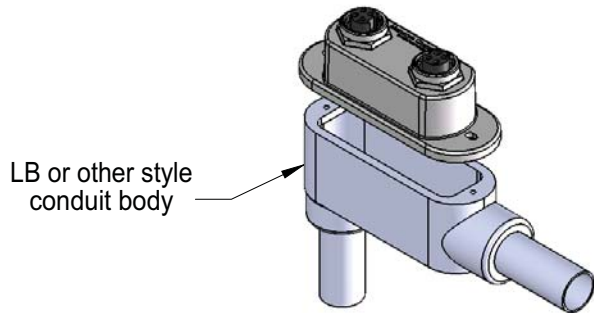
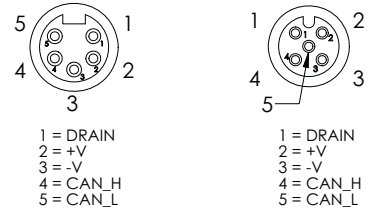
DeviceNet Series Accessories

Conduit Adapters ❖ MIN ❖ MDC ❖ 2 Port

Conduit Adapters				
Face Views	# of Poles	Rating	Part Number	Top View
	5	40V 8A	MINDN-2-5FR-CA	
	5	40V 4A	MDCDN-2-5FR-CA	

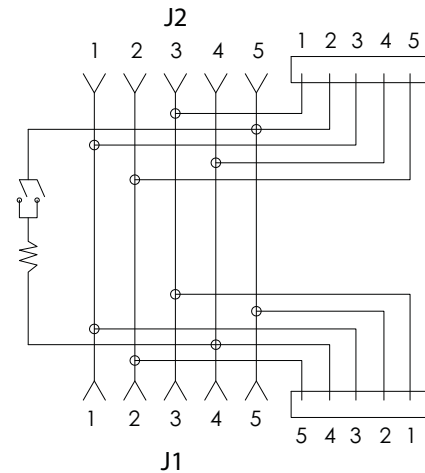
Specifications:

Housing: Glass Filled PBT
 Recp. Shell: Nickel Plated Brass
 Insert: Polyamide
 Contacts: Copper Alloy with Gold Plating
 Gasket: NBR
 Temperature: -40°C to +70°C (-40°F to +158°F)
 Protection: IP 65



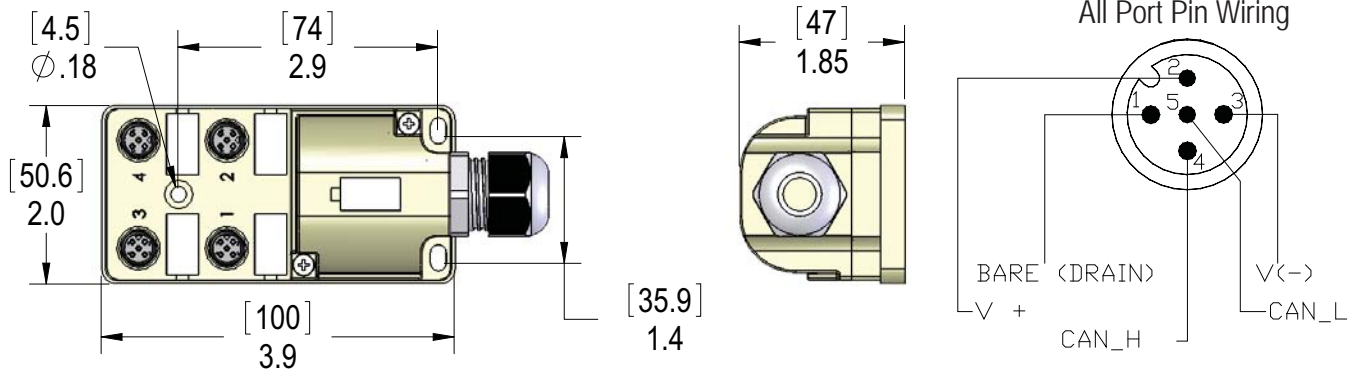
Remove existing Conduit Body cover and replace with Mencom Conduit Adapter.

Works with all standard 3/4" NPT conduit bodies, including Form 8 and Mark 9 adapters. (screws are included with adapter)



DeviceNet Series Junction Blocks (No Electronics)

4 Port



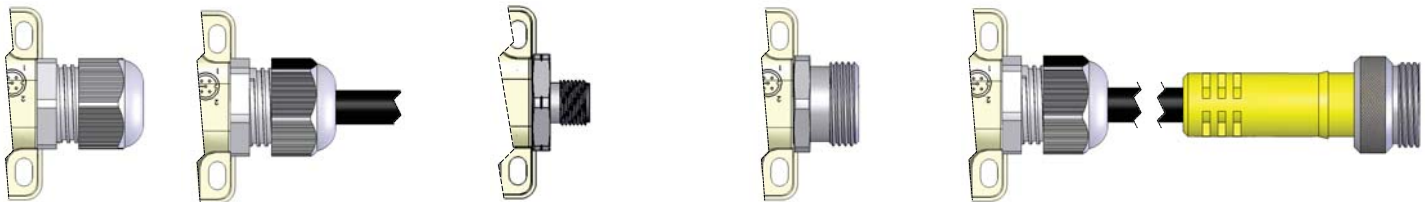
Field Wireable

Cable

MDC Receptacle

MIN Receptacle

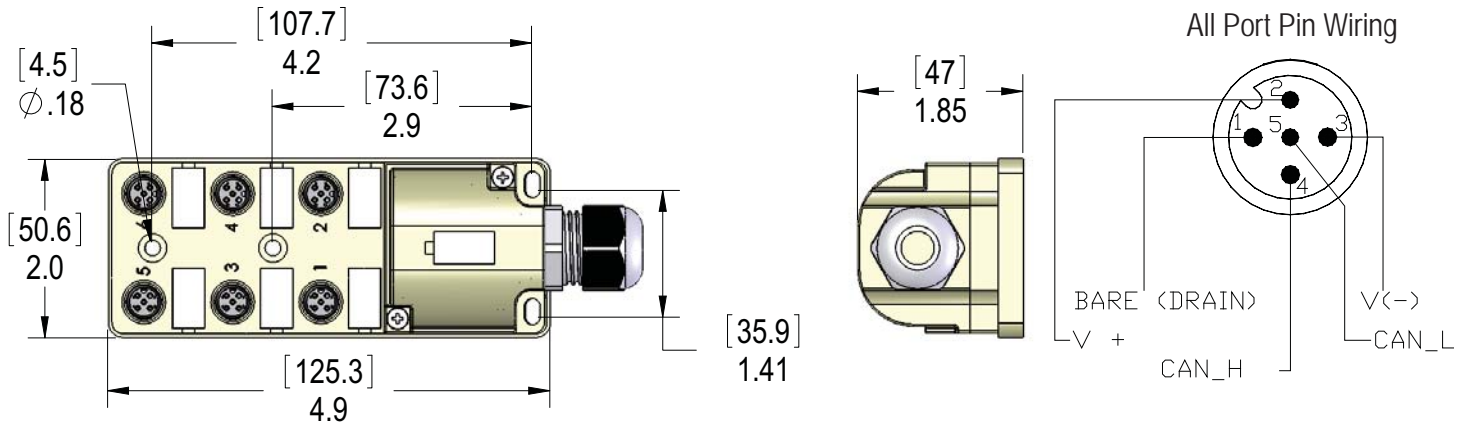
MIN Plug



Trunk Connection	Face View of Male	Color Code Pin Out	Wire AWG Rating	Length (Meters)	Part Number
Field Wireable	N/A	N/A	300V 8A	N/A	JDN-450-005-F000
Trunk Cable	N/A	1 - Bare (Drain) 2 - Red (V+) 3 - Black (V-) 4 - White (CAN_H) 5 - Blue (CAN_L)	15 & 18 300V 8A	0.3 M 2 M 5 M	JDN-450-005-C003 JDN-450-005-C020 JDN-450-005-C050
MDC Receptacle		PIN 1 - (Drain) PIN 2 - (V+) PIN 3 - (V-) PIN 4 - (CAN_H) PIN 5 - (CAN_L)	300V 8A	N/A	JDN-450-005-E000
MIN Receptacle		PIN 1 - (Drain) PIN 2 - (V+) PIN 3 - (V-) PIN 4 - (CAN_H) PIN 5 - (CAN_L)	300V 8A	N/A	JDN-450-005-M000
MIN Plug		PIN 1 - (Drain) PIN 2 - (V+) PIN 3 - (V-) PIN 4 - (CAN_H) PIN 5 - (CAN_L)	300V 8A	0.3 M 2 M 5 M	JDN-450-005-M003 JDN-450-005-M020 JDN-450-005-M050

DeviceNet Series Junction Blocks (No Electronics)

6 Port



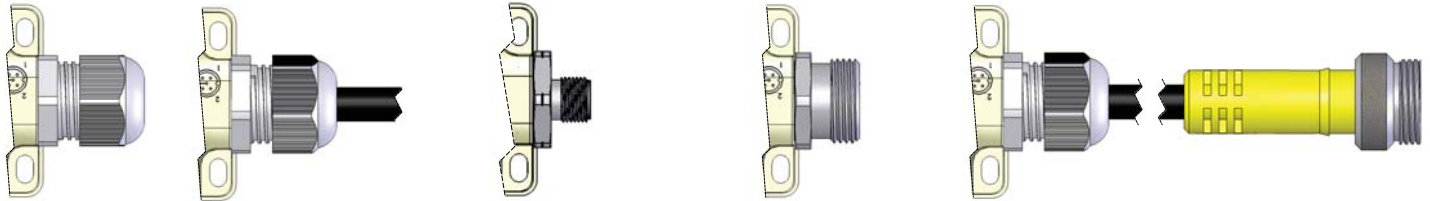
Field Wireable

Cable

MDC Receptacle

MIN Receptacle

MIN Plug

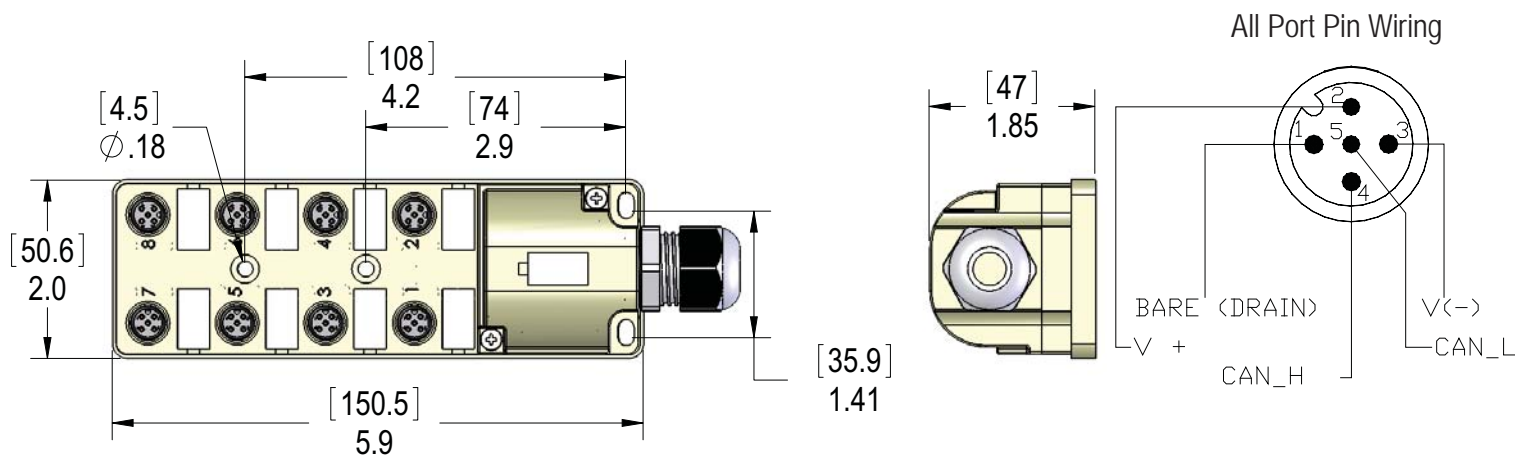


Trunk Connection	Face View of Male	Color Code Pin Out	Wire AWG Rating	Length (Meters)	Part Number
Field Wireable	N/A	N/A	300V 8A	N/A	JDN-650-005-F000
Trunk Cable	N/A	1 - Bare (Drain) 2 - Red (V+) 3 - Black (V-) 4 - White (CAN_H) 5 - Blue (CAN_L)	15 & 18 300V 8A	0.3 M 2 M 5 M	JDN-650-005-C003 JDN-650-005-C020 JDN-650-005-C050
MDC Receptacle		PIN 1 - (Drain) PIN 2 - (V+) PIN 3 - (V-) PIN 4 - (CAN_H) PIN 5 - (CAN_L)	300V 8A	N/A	JDN-650-005-E000
MIN Receptacle		PIN 1 - (Drain) PIN 2 - (V+) PIN 3 - (V-) PIN 4 - (CAN_H) PIN 5 - (CAN_L)	300V 8A	N/A	JDN-650-005-M000
MIN Plug		PIN 1 - (Drain) PIN 2 - (V+) PIN 3 - (V-) PIN 4 - (CAN_H) PIN 5 - (CAN_L)	300V 8A	0.3 M 2 M 5 M	JDN-650-005-M003 JDN-650-005-M020 JDN-650-005-M050

DeviceNet

DeviceNet Series Junction Blocks (No Electronics)

8 Port



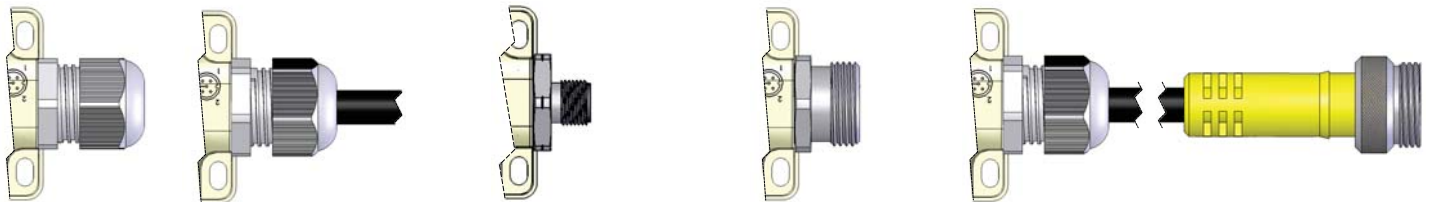
Field Wireable

Cable

MDC Receptacle

MIN Receptacle

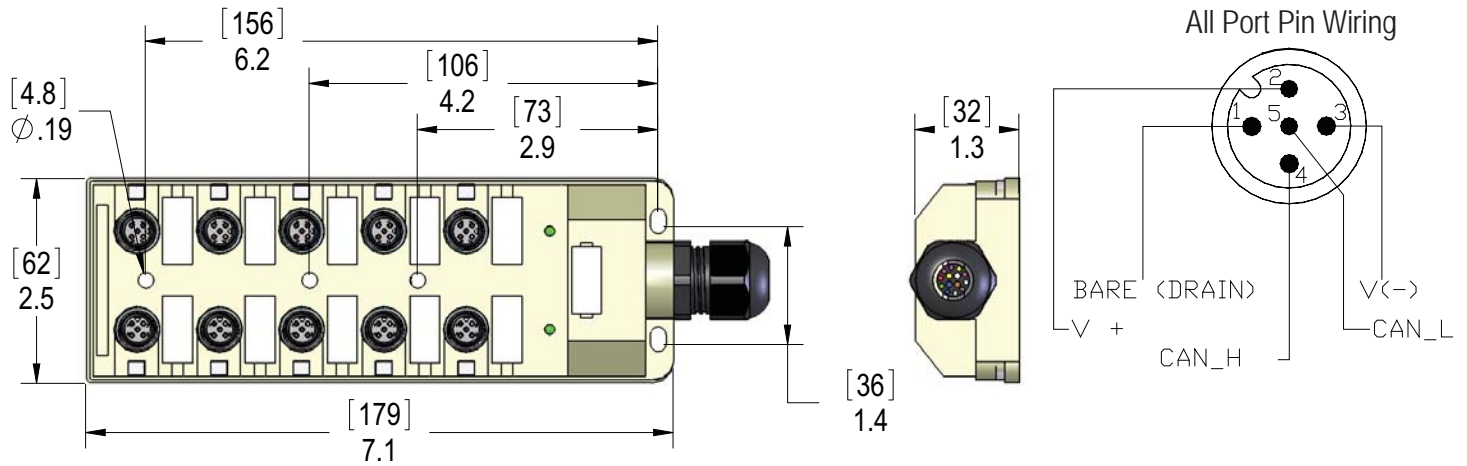
MIN Plug



Trunk Connection	Face View of Male	Color Code Pin Out	Wire AWG Rating	Length (Meters)	Part Number
Field Wireable	N/A	N/A	300V 8A	N/A	JDN-850-005-F000
Trunk Cable	N/A	1 - Bare (Drain) 2 - Red (V+) 3 - Black (V-) 4 - White (CAN_H) 5 - Blue (CAN_L)	15 & 18 300V 8A	0.3 M 2 M 5 M	JDN-850-005-C003 JDN-850-005-C020 JDN-850-005-C050
MDC Receptacle		PIN 1 - (Drain) PIN 2 - (V+) PIN 3 - (V-) PIN 4 - (CAN_H) PIN 5 - (CAN_L)	300V 8A	N/A	JDN-850-005-E000
MIN Receptacle		PIN 1 - (Drain) PIN 2 - (V+) PIN 3 - (V-) PIN 4 - (CAN_H) PIN 5 - (CAN_L)	300V 8A	N/A	JDN-850-005-M000
MIN Plug		PIN 1 - (Drain) PIN 2 - (V+) PIN 3 - (V-) PIN 4 - (CAN_H) PIN 5 - (CAN_L)	300V 8A	0.3 M 2 M 5 M	JDN-850-005-M003 JDN-850-005-M020 JDN-850-005-M050

DeviceNet Series Junction Blocks (No Electronics)

10 Port

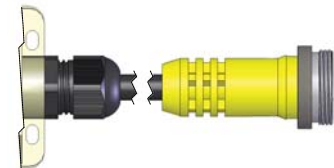
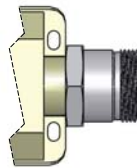
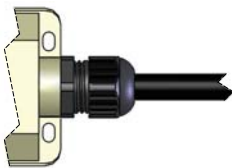


Cable

MDC Receptacle

MIN Receptacle

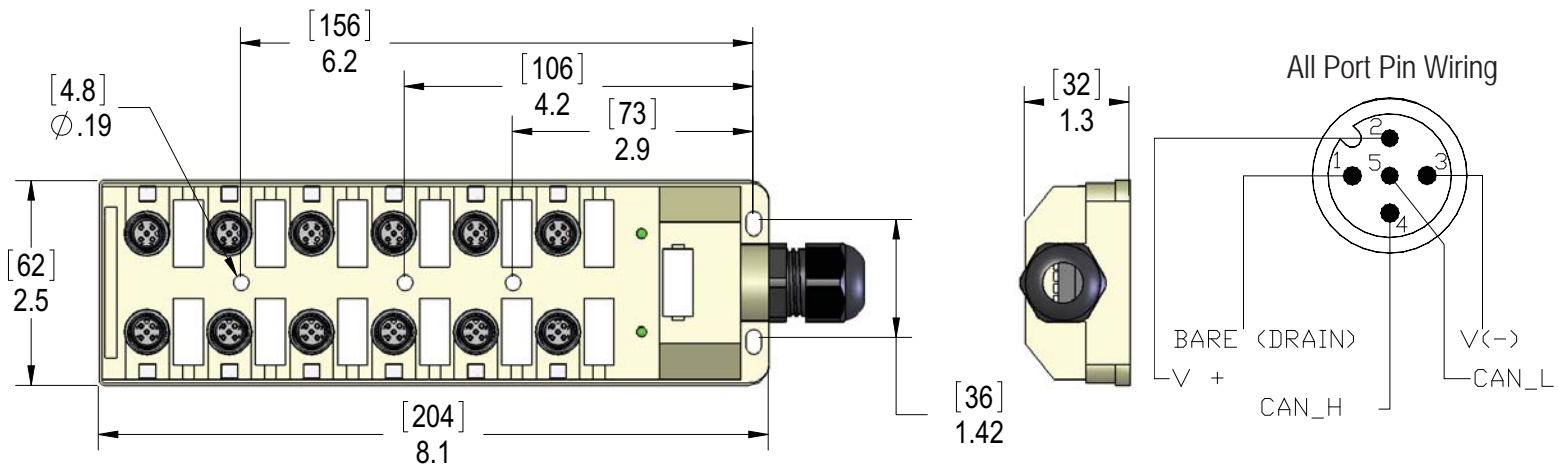
MIN Plug



Trunk Connection	Face View of Male	Color Code Pin Out	Wire AWG Rating	Length (Meters)	Part Number
Trunk Cable	N/A	1 - Bare (Drain) 2 - Red (V+) 3 - Black (V-) 4 - White (CAN_H) 5 - Blue (CAN_L)	15 & 18 300V 8A	0.3 M 2 M 5 M	JDN-050-005-C003 JDN-050-005-C020 JDN-050-005-C050
MDC Receptacle		PIN 1 - (Drain) PIN 2 - (V+) PIN 3 - (V-) PIN 4 - (CAN_H) PIN 5 - (CAN_L)	300V 8A	N/A	JDN-050-005-E000
MIN Receptacle		PIN 1 - (Drain) PIN 2 - (V+) PIN 3 - (V-) PIN 4 - (CAN_H) PIN 5 - (CAN_L)	300V 8A	N/A	JDN-050-005-M000
MIN Plug		PIN 1 - (Drain) PIN 2 - (V+) PIN 3 - (V-) PIN 4 - (CAN_H) PIN 5 - (CAN_L)	300V 8A	0.3 M 2 M 5 M	JDN-050-005-M003 JDN-050-005-M020 JDN-050-005-M050

DeviceNet Series Junction Blocks (No Electronics)

12 Port

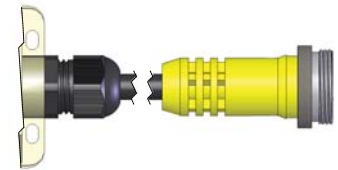
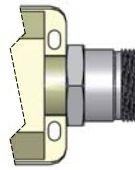
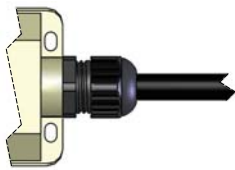


Cable

MDC Receptacle

MIN Receptacle

MIN Plug

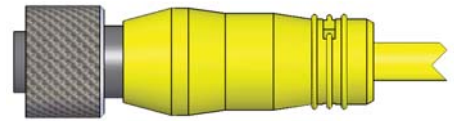


Trunk Connection	Face View of Male	Color Code Pin Out	Wire AWG Rating	Length (Meters)	Part Number
Trunk Cable	N/A	1 - Bare (Drain) 2 - Red (V+) 3 - Black (V-) 4 - White (CAN_H) 5 - Blue (CAN_L)	15 & 18 300V 8A	0.3 M 2 M 5 M	JDN-250-005-C003 JDN-250-005-C020 JDN-250-005-C050
MDC Receptacle		PIN 1 - (Drain) PIN 2 - (V+) PIN 3 - (V-) PIN 4 - (CAN_H) PIN 5 - (CAN_L)	300V 8A	N/A	JDN-250-005-E000
MIN Receptacle		PIN 1 - (Drain) PIN 2 - (V+) PIN 3 - (V-) PIN 4 - (CAN_H) PIN 5 - (CAN_L)	300V 8A	N/A	JDN-250-005-M000
MIN Plug		PIN 1 - (Drain) PIN 2 - (V+) PIN 3 - (V-) PIN 4 - (CAN_H) PIN 5 - (CAN_L)	300V 8A	0.3 M 2 M 5 M	JDN-250-005-M003 JDN-250-005-M020 JDN-250-005-M050



Ethernet Series

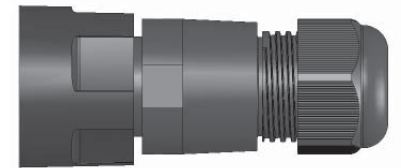
Etherplug 2-13



Etherlink V3 14-16



Etherlink V1 17-20



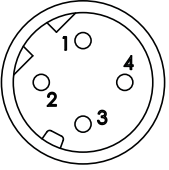
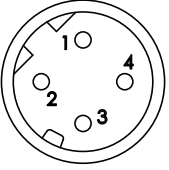
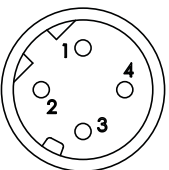
Specialty Connectors.. 21-25

Specifications 26-27

Ethernet Series

Ethernet Series Etherplug Cordsets

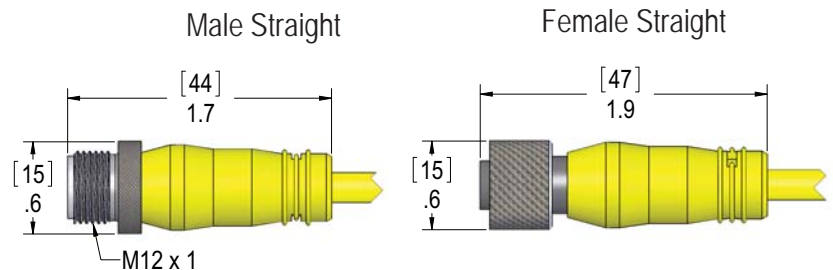
PVC & PUR Cable ❖ 4 Pole ❖ D-Coded

PVC Version						
Face View of Male	# of Poles	Color Code	Wire AWG Rating	Length	Male Plugs	Female Plugs
	4	1-White w/ Orange 2-White w/ Green 3-Orange 4-Green	24 60V 2A	2 M 5 M 10 M	MDE45-4MP-2M MDE45-4MP-5M MDE45-4MP-10M	MDE45-4FP-2M MDE45-4FP-5M MDE45-4FP-10M
Polyurethane Version						
Face View of Male	# of Poles	Color Code	Wire AWG Rating	Length	Male Plugs	Female Plugs
	4	1-White w/ Orange 2-White w/ Green 3-Orange 4-Green	24 60V 2A	2 M 5 M 10 M	MDE45P-4MP-2M MDE45P-4MP-5M MDE45P-4MP-10M	MDE45P-4FP-2M MDE45P-4FP-5M MDE45P-4FP-10M
Polyurethane Shielded Version						
Face View of Male	# of Poles	Color Code	Wire AWG Rating	Length	Male Plugs	Female Plugs
	4	1-White w/ Orange 2-White w/ Green 3-Orange 4-Green	24 60V 2A	2 M 5 M 10 M	MDE45PB-4MP-2M MDE45PB-4MP-5M MDE45PB-4MP-10M	MDE45PB-4FP-2M MDE45PB-4FP-5M MDE45PB-4FP-10M

Other cable lengths are available. Please consult the factory.

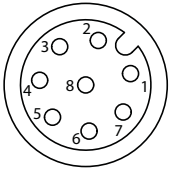
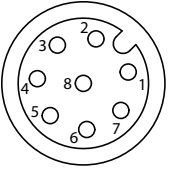
Specifications:

- Body: Oil Resistant Black PVC or PUR
- Insulator: Polyamide
- Contacts: Copper Alloy with Gold Plating
- Coupling Nut: Nickel Plated Brass
- Cable: See Page M-26 for specs.
- Protection: IP 67
- Approvals: U.S.: UL Recognized
Canada: C-UL Recognized



Ethernet Series Etherplug Cordsets

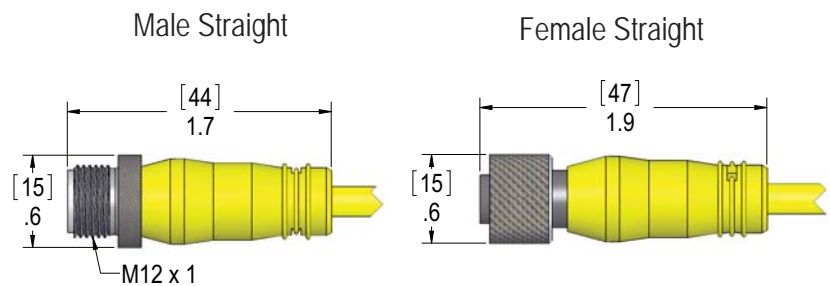
PVC & PUR Cable ❖ 8 Pole

PVC Version						
Face View of Male	# of Poles	Color Code	Wire AWG Rating	Length	Male Plugs	Female Plugs
	8	1-White w/ Blue 2-White w/ Brown 3-Brown 4-Orange 5-White w/ Green 6-White w/ Orange 7-Blue 8-Green	24 60V 2A	2 M 5 M 10 M	MDE45-8MP-2M MDE45-8MP-5M MDE45-8MP-10M	MDE45-8FP-2M MDE45-8FP-5M MDE45-8FP-10M
Polyurethane Version						
Face View of Male	# of Poles	Color Code	Wire AWG Rating	Length	Male Plugs	Female Plugs
	8	1-White w/ Blue 2-White w/ Brown 3-Brown 4-Orange 5-White w/ Green 6-White w/ Orange 7-Blue 8-Green	24 60V 2A	2 M 5 M 10 M	MDE45P-8MP-2M MDE45P-8MP-5M MDE45P-8MP-10M	MDE45P-8FP-2M MDE45P-8FP-5M MDE45P-8FP-10M

Other cable lengths are available. Please consult the factory.

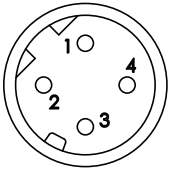
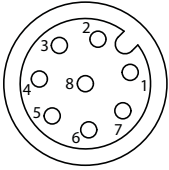
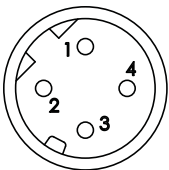
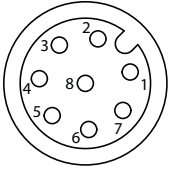
Specifications:

Body:	Oil Resistant Black PVC or PUR
Insulator:	Polyamide
Contacts:	Copper Alloy with Gold Plating
Coupling Nut:	Nickel Plated Brass
Cable:	See Page M-26 for specs.
Protection:	IP 67
Approvals:	U.S.: UL Recognized Canada: C-UL Recognized



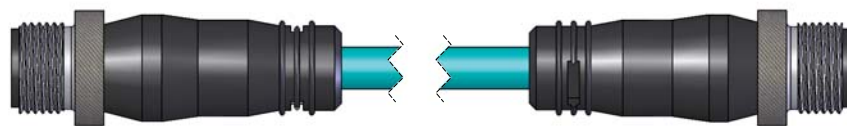
Ethernet Series Etherplug Extension Cables

PVC & PUR Extension Cable ❖ 4 Pole D-Coded ❖ 8 Pole

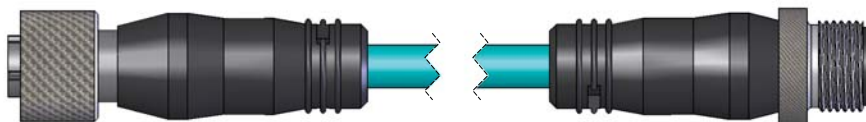
PVC Version						
Face View of Male	# of Poles	Wire AWG Rating	Length	Male to Male	Male to Female	Female to Female
	4	24 60V 2A	2 M 5 M 10 M	MDE45-4MMP-2M MDE45-4MMP-5M MDE45-4MMP-10M	MDE45-4MFP-2M MDE45-4MFP-5M MDE45-4MFP-10M	MDE45-4FFP-2M MDE45-4FFP-5M MDE45-4FFP-10M
	8	24 60V 2A	2 M 5 M 10 M	MDE45-8MMP-2M MDE45-8MMP-5M MDE45-8MMP-10M	MDE45-8MFP-2M MDE45-8MFP-5M MDE45-8MFP-10M	MDE45-8FFP-2M MDE45-8FFP-5M MDE45-8FFP-10M
Polyurethane Version						
Face View of Male	# of Poles	Wire AWG Rating	Length	Male to Male	Male to Female	Female to Female
	4	24 60V 2A	2 M 5 M 10 M	MDE45P-4MMP-2M MDE45P-4MMP-5M MDE45P-4MMP-10M	MDE45P-4MFP-2M MDE45P-4MFP-5M MDE45P-4MFP-10M	MDE45P-4FFP-2M MDE45P-4FFP-5M MDE45P-4FFP-10M
	8	24 60V 2A	2 M 5 M 10 M	MDE45P-8MMP-2M MDE45P-8MMP-5M MDE45P-8MMP-10M	MDE45P-8MFP-2M MDE45P-8MFP-5M MDE45P-8MFP-10M	MDE45P-8FFP-2M MDE45P-8FFP-5M MDE45P-8FFP-10M

Other cable lengths are available. Please consult the factory.

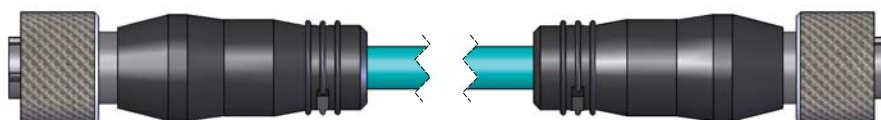
Male to Male



Male to Female



Female to Female



Ethernet Series Etherplug Extension Cables

PVC & PUR Cable ❖ 4 Pole D-Coded ❖ Male to RJ45 ❖ Female to RJ45

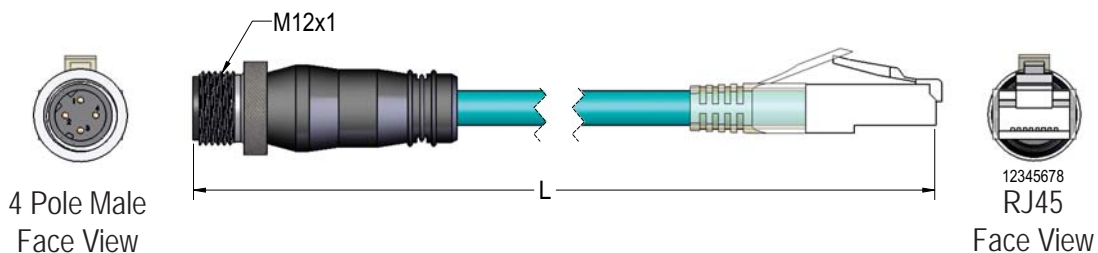
PVC Version					
Face View of Male	# of Poles	Wire AWG Rating	Length	Male Plugs	Female Plugs
	4	24 60V 1A	2 M 5 M 10 M	MDE45-4MP-RJ45-2M MDE45-4MP-RJ45-5M MDE45-4MP-RJ45-10M	MDE45-4FP-RJ45-2M MDE45-4FP-RJ45-5M MDE45-4FP-RJ45-10M
Polyurethane Version					
Face View of Male	# of Poles	Wire AWG Rating	Length	Male Plugs	Female Plugs
	4	24 60V 1A	2 M 5 M 10 M	MDE45P-4MP-RJ45-2M MDE45P-4MP-RJ45-5M MDE45P-4MP-RJ45-10M	MDE45P-4FP-RJ45-2M MDE45P-4FP-RJ45-5M MDE45P-4FP-RJ45-10M
Polyurethane Shielded Version					
Face View of Male	# of Poles	Wire AWG Rating	Length	Male Plugs	Female Plugs
	4	24 60V 1A	2 M 5 M 10 M	MDE45PB-4MP-RJ45-2M MDE45PB-4MP-RJ45-5M MDE45PB-4MP-RJ45-10M	MDE45PB-4FP-RJ45-2M MDE45PB-4FP-RJ45-5M MDE45PB-4FP-RJ45-10M

Other cable lengths are available. Please consult the factory.

Mencom Standard Cable

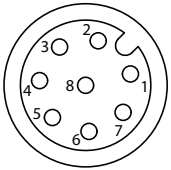
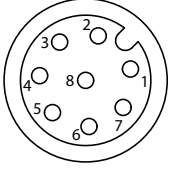


Male to RJ45



Ethernet Series Etherplug Extension Cables

















PVC & PUR Cable ❖ 8 Pole ❖ Male to RJ45 ❖ Female to RJ45

PVC Version					
Face View of Male	# of Poles	Wire AWG Rating	Length	Male Plugs	Female Plugs
	8	24 60V 1A	2 M 5 M 10 M	MDE45-8MP-RJ45-2M MDE45-8MP-RJ45-5M MDE45-8MP-RJ45-10M	MDE45-8FP-RJ45-2M MDE45-8FP-RJ45-5M MDE45-8FP-RJ45-10M
Polyurethane Version					
Face View of Male	# of Poles	Wire AWG Rating	Length	Male Plugs	Female Plugs
	8	24 60V 1A	2 M 5 M 10 M	MDE45P-8MP-RJ45-2M MDE45P-8MP-RJ45-5M MDE45P-8MP-RJ45-10M	MDE45P-8FP-RJ45-2M MDE45P-8FP-RJ45-5M MDE45P-8FP-RJ45-10M

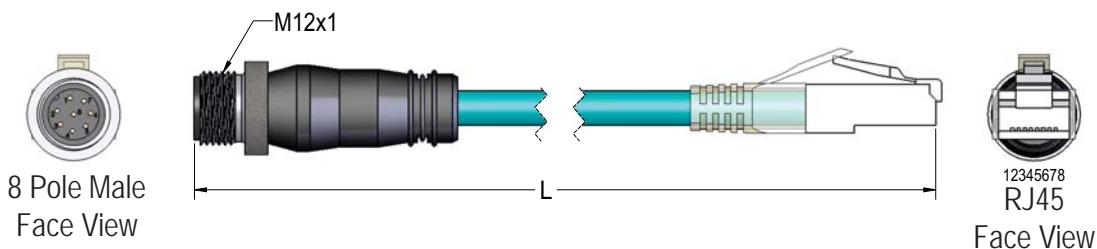
Other cable lengths are available, please consult the factory. For Stainless Steel, put a "-SS" suffix on the part number (e.g. MDE45-8MP-RJ45-2M-SS).

Mencom Standard Cable

Color Code

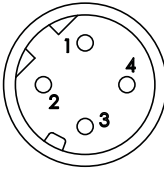
MDE45		Color		RJ45
6		White/Orange		1
4		Orange		2
1		White/Blue		5
7		Blue		4
5		White/Green		3
8		Green		6
2		White/Brown		7
3		Brown		8

Male to RJ45



Ethernet Series Etherplug Field Wireable Plugs

4 Pole ❖ PG 7 & PG 9 Threads ❖ 18-24 AWG

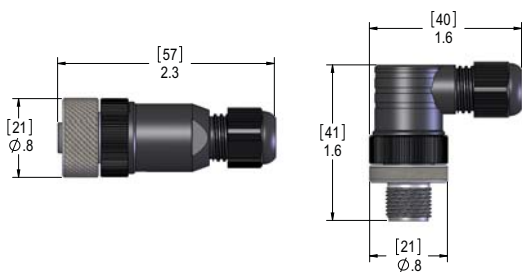
Face View of Male	# of Poles	Wire AWG Rating	PG Size	Cable Range	Male Straight	Male Right Angle	Female Straight	Female Right Angle
	4	18-24 250V 4A	PG 7 PG 9	3 - 6.5 mm 4 - 8 mm	MDE45-4MP-FW07 MDE45-4MP-FW09	MDE45-4MP-FW07-R MDE45-4MP-FW09-R	MDE45-4FP-FW07 MDE45-4FP-FW09	MDE45-4FP-FW07-R MDE45-4FP-FW09-R

These connectors are easily wired by inserting the individual wires into the screw terminal contacts. The connectors are water tight to IP 67 and are fully mateable with other D-Coded M12 connectors.

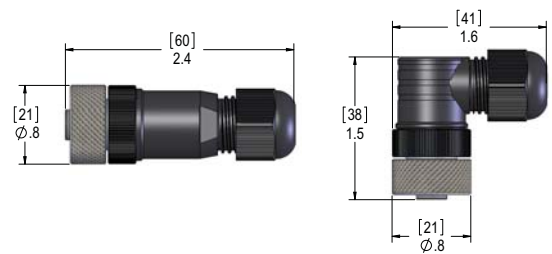
Specifications:

Body: Black Polyamide
 Insulator: Black Polyamide
 Contacts: Copper Alloy with Gold Plating
 Coupling Nut: Nickel Plated Brass
 Seal: NBR
 Temperature: -25°C to +85°C (-13°F to +185°F)
 Protection: IP 67
 Approvals: U.S.: UL Recognized
 Canada: C-UL Recognized

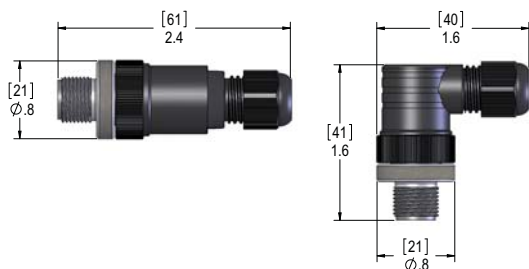
PG 7
Female Straight Female Right Angle



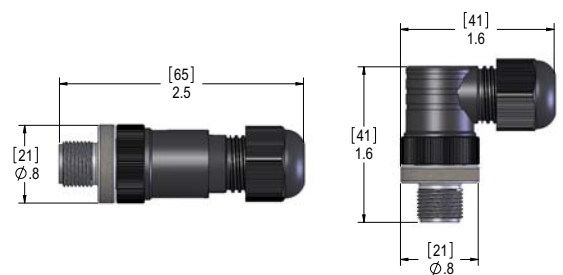
PG 9
Female Straight Female Right Angle



PG 7
Male Straight Male Right Angle



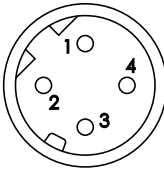
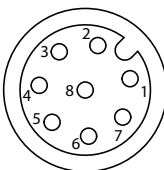
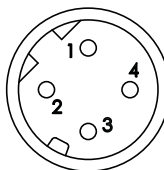
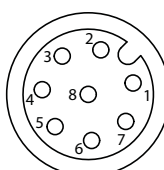
PG 9
Male Straight Male Right Angle



Ethernet Series

Ethernet Series Etherplug Receptacles

12" Leads ❖ 1/4" - 18 NPT & 1/2" - 14 NPT ❖ PG 9 ❖ Metric ❖ Back Mount

Etherplug Receptacles with 12" Leads					
Face View of Male	# of Poles	Wire AWG Rating	Threads	Male Plugs	Female Plugs
	4	24 60V 2A	1/4" - 18 NPT 1/2" - 14 NPT PG 9 M20 Back Mount	MDE45-4MR-4-E45 MDE45-4MR-2-E45 MDE45-4MR-PG9-E45 MDE45-4MR-M20-E45 MDE45-4MR-BM-E45	MDE45-4FR-4-E45 MDE45-4FR-2-E45 MDE45-4FR-PG9-E45 MDE45-4FR-M20-E45 MDE45-4FR-BM-E45
	8	24 60V 2A	1/4" - 18 NPT 1/2" - 14 NPT PG 9 M20 Back Mount	MDC-8MR-4-E45 MDC-8MR-2-E45 MDC-8MR-PG9-E45 MDC-8MR-M20-E45 MDC-8MR-BM-E45	MDC-8FR-4-E45 MDC-8FR-2-E45 MDC-8FR-PG9-E45 MDC-8FR-M20-E45 MDC-8FR-BM-E45
Etherplug Receptacles with Cat 5 Cable					
Face View of Male	# of Poles	Wire AWG Rating	Threads	Male Plugs	Female Plugs
	4	24 60V 2A	1/4" - 18 NPT 1/2" - 14 NPT PG 9 M20 Back Mount	MDE45-4MR-4-1M MDE45-4MR-2-1M MDE45-4MR-PG9-1M MDE45-4MR-M20-1M MDE45-4MR-BM-1M	MDE45-4FR-4-1M MDE45-4FR-2-1M MDE45-4FR-PG9-1M MDE45-4FR-M20-1M MDE45-4FR-BM-1M
	8	24 60V 2A	1/4" - 18 NPT 1/2" - 14 NPT PG 9 M20 Back Mount	MDE45-8MR-4-1M MDE45-8MR-2-1M MDE45-8MR-PG9-1M MDE45-8MR-M20-1M MDE45-8MR-BM-1M	MDE45-8FR-4-1M MDE45-8FR-2-1M MDE45-8FR-PG9-1M MDE45-8FR-M20-1M MDE45-8FR-BM-1M

Etherplug receptacles with 12" leads or shorter come with discrete wires. Standard Cat 5 cable lengths are in one meter increments. For a 2M cable add a "-2M" to the part number (e.g. MDE45-8MR-4-1M becomes MDE45-8MR-4-2M).

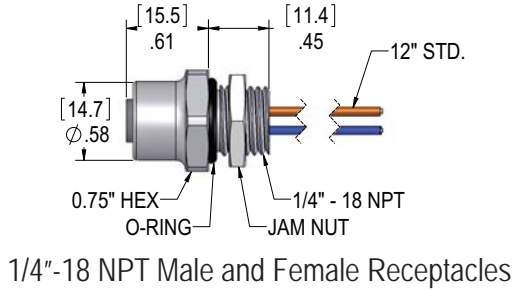
Specifications:

Shell: 1/4" NPT: Nickel Plated Brass;
1/2" NPT: Clear Anodized Aluminum
PG 9: Nickel Plated Brass
M20: Clear Anodized Aluminum
Back Mount: Nickel Plated Brass

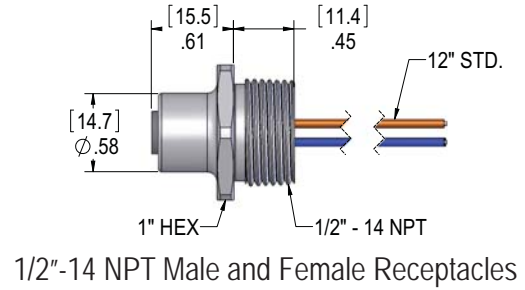
Insulator: Polyamide
Cable: See PVC Cable specifications on page M-26.
Wires: 24 AWG 60V, 80°C
Contacts: Copper Alloy with Gold Plating
O-Ring: BUNA-N
Temperature: -40°C to +80°C (-40°F to +176°F)
Protection: IP 67

Ethernet Series Etherplug Receptacles

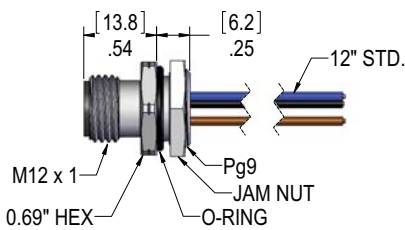
12" Leads ❖ 1/4" - 18 NPT & 1/2" - 14 NPT ❖ PG 9 ❖ Metric ❖ Back Mount



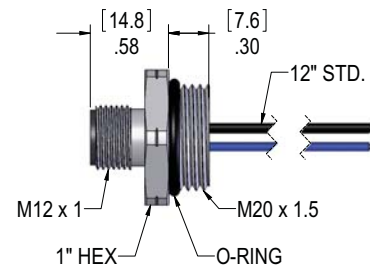
1/4"-18 NPT Male and Female Receptacles



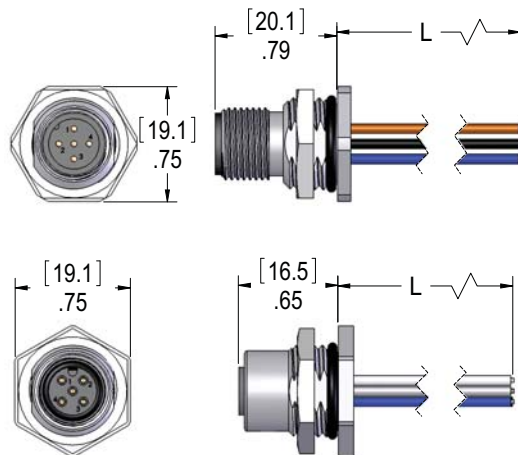
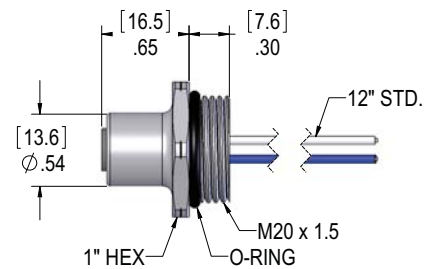
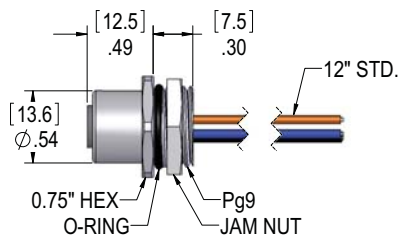
1/2"-14 NPT Male and Female Receptacles



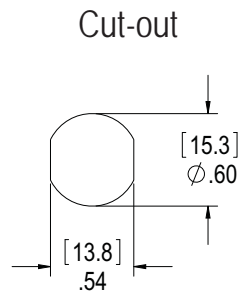
PG 9 Male and Female Receptacles



M20 Male and Female Receptacles



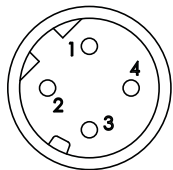
Back Mount Male and Female Receptacles



Ethernet Series

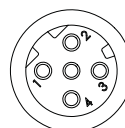
Ethernet Series Etherplug Series Receptacles

Panel Mount RJ45 to MDE45

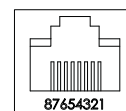
Panel Mount RJ45 to MDE45 (D-Coded)				
Face View of Male	# of Poles	Wiring MDE45 to RJ45	Male D-Coded MDE45 to Female RJ45	Female D-Coded MDE45 to Female RJ45
	4	1 to 1 2 to 3 3 to 2 4 to 6	MDE45RJ-4MFR-BM	MDE45RJ-4FFR-BM

Specifications:

Housing: PBT
 Insulator: Polyamide
 Contacts: Copper Alloy with Gold Plating
 O-Ring: BUNA-N
 RJ45 Connector: Cat 5
 Temperature: -40°C to +80°C (-40°F to +176°F)
 Protection: IP 67

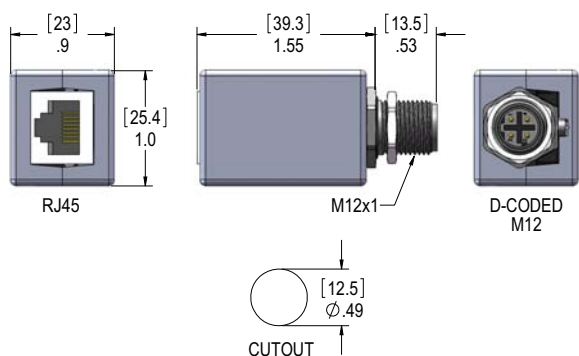


1 = White/Orange (+ TX)
 2 = White/Green (+ RX)
 3 = Orange (- TX)
 4 = Green (- RX)

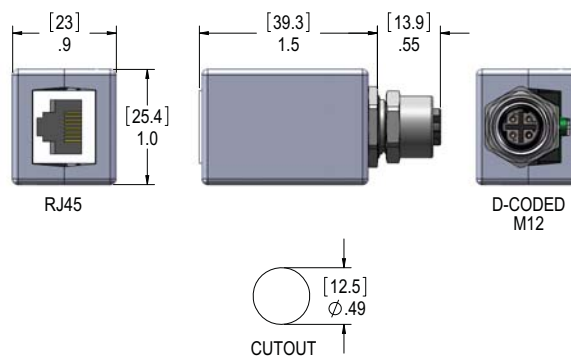


1 = White/Orange (+ TX)
 2 = Orange (- TX)
 3 = White/Green (+ RX)
 4 = N/C
 5 = N/C
 6 = Green (- RX)
 7 = N/C
 8 = N/C

Ethernet Series



MDE45RJ-4MFR-BM



MDE45RJ-4FFR-BM

Ethernet Series Etherplug Receptacles

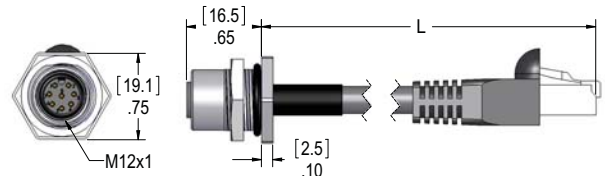
4 Pole D-Coded ❖ 8 Pole ❖ Back Mount to RJ45 with Cat 5 Cable

Etherplug Back Mount Receptacle to RJ45 with Cat 5 Cable						
Face View of Male	# of Poles	Wire AWG Rating	Wiring MDE45 to RJ45	Length	Male Plugs	Female Plugs
	4	24 60V 1A	1 to 1 2 to 3 3 to 2 4 to 6	1 M 2 M 3 M	MDE45-4MR-RJ45-BM-1M MDE45-4MR-RJ45-BM-2M MDE45-4MR-RJ45-BM-3M	MDE45-4FR-RJ45-BM-1M MDE45-4FR-RJ45-BM-2M MDE45-4FR-RJ45-BM-3M
	8	24 60V 1A	1 to 5 2 to 7 3 to 8 4 to 2 5 to 3 6 to 1 7 to 4 8 to 6	1 M 2 M 3 M	MDE45-8MR-RJ45-BM-1M MDE45-8MR-RJ45-BM-2M MDE45-8MR-RJ45-BM-3M	MDE45-8FR-RJ45-BM-1M MDE45-8FR-RJ45-BM-2M MDE45-8FR-RJ45-BM-3M

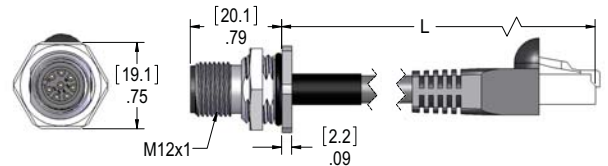
For Cross-Over Color Code, add a "-CC" suffix (e.g. MDE45-8MR-RJ45-BM-2M-CC). Other cable lengths are available. Please consult the factory.

Specifications:

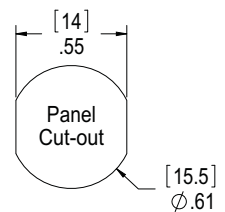
- Shell: Nickel Plated Brass
- Insulator: Polyamide
- Cable: See specifications on page M-26
- Contacts: Copper Alloy with Gold Plating
- O-Ring: BUNA-N
- Temperature: -40°C to +80°C (-40°F to +176°F)
- Protection: IP 67
- Approvals: U.S.: UL Recognized
Canada: C-UL Recognized



Female Receptacle



Male Receptacle



Mencom Standard Cable

MDE45	Color Code	Color	RJ45
1	White/Orange Orange		1
3			2
2	White/Green Green		3
4			6

Mencom Standard Cable

MDE45	Color Code	Color	RJ45
6	White/Orange Orange		1
4			2
1	White/Blue Blue		5
7			4
5	White/Green Green		3
8			6
2	White/Brown Brown		7
3			8

Ethernet Series Etherplug Receptacles

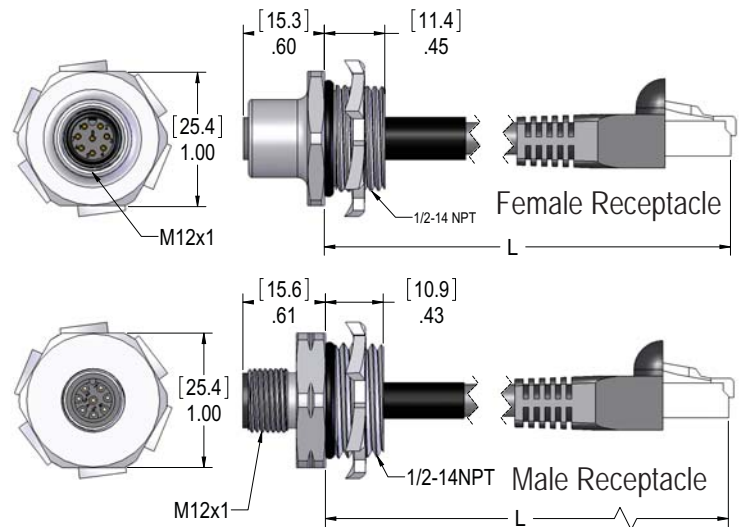
1/2"-14 NPT to RJ45 with Cat 5 Cable

Etherplug Receptacle 1/2" - 14 NPT to RJ45 with Cat 5 Cable						
Face View of Male	# of Poles	Wire AWG Rating	Wiring MDE45 to RJ45	Length	Male Plugs	Female Plugs
	4	24 60V 1A	1 to 1 2 to 3 3 to 2 4 to 6	1 M 2 M 3 M	MDE45-4MR-RJ45-2-1M MDE45-4MR-RJ45-2-2M MDE45-4MR-RJ45-2-3M	MDE45-4FR-RJ45-2-1M MDE45-4FR-RJ45-2-2M MDE45-4FR-RJ45-2-3M
	8	24 60V 1A	1 to 5 2 to 7 3 to 8 4 to 2 5 to 3 6 to 1 7 to 4 8 to 6	1 M 2 M 3 M	MDE45-8MR-RJ45-2-1M MDE45-8MR-RJ45-2-2M MDE45-8MR-RJ45-2-3M	MDE45-8FR-RJ45-2-1M MDE45-8FR-RJ45-2-2M MDE45-8FR-RJ45-2-3M

For Cross-Over Color Code, add a "-CC" suffix (e.g. MDE45-8MR-RJ45-2M-CC). Other cable lengths are available. Please consult the factory.

Specifications:

Shell: Clear Anodized Aluminum
 Insulator: Polyamide
 Cable: See specifications on page M-26
 Contacts: Copper Alloy with Gold Plating
 O-Ring: BUNA-N
 Temperature: -40°C to +80°C (-40°F to +176°F)
 Protection: IP 67
 Approvals: U.S.: UL Recognized
 Canada: C-UL Recognized



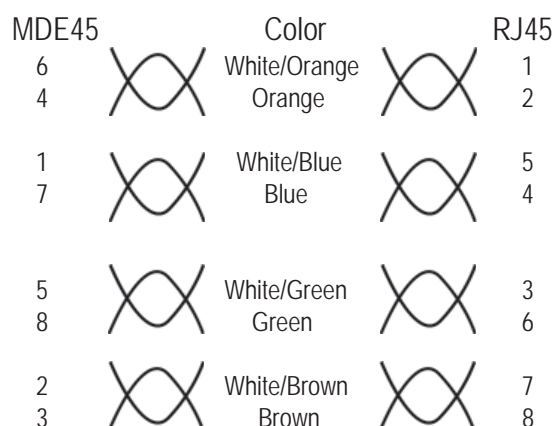
Mencom Standard Cable

Color Code



Mencom Standard Cable

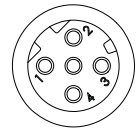
Color Code



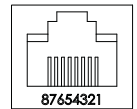
Ethernet Series Etherplug Series Receptacles

Panel Mount Adapter

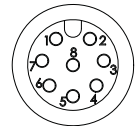
Panel Mount Adapters				
Face View of Male	# of Poles	Wiring MDE45	MDE45 to RJ45	Face View of RJ45
	4	1 to 1 2 to 3 3 to 2 4 to 6	D24-4MDE45-4FR-RJ45	
Face View of Female	# of Poles	Wiring MDC8	MDC8 to RJ45	Face View of RJ45
	8	1 to 5 2 to 7 3 to 8 4 to 2 5 to 3 6 to 1 7 to 4 8 to 6	D24-4MDE45-8FR-RJ45	



- 1 = White/Orange (+ TX)
- 2 = White/Green (+ RX)
- 3 = Orange (- TX)
- 4 = Green (- RX)



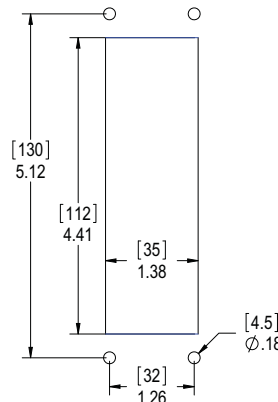
- 1 = White/Orange (+ TX)
- 2 = Orange (- TX)
- 3 = White/Green (+ RX)
- 4 = N/C
- 5 = N/C
- 6 = Green (- RX)
- 7 = N/C
- 8 = N/C



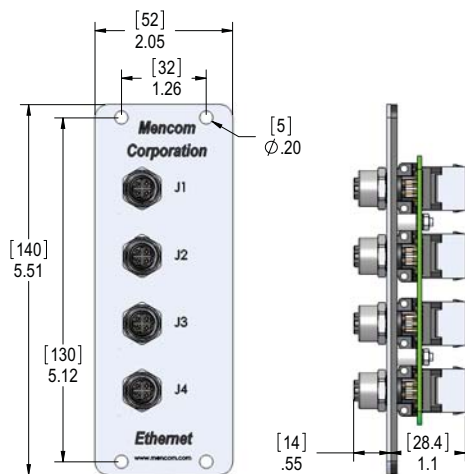
- 1 = White/Blue
- 2 = White/Brown
- 3 = Brown
- 4 = Orange (-TX)
- 5 = White/Green (+RX)
- 6 = White/Orange (+TX)
- 7 = Blue
- 8 = Green (-RX)

Specifications:

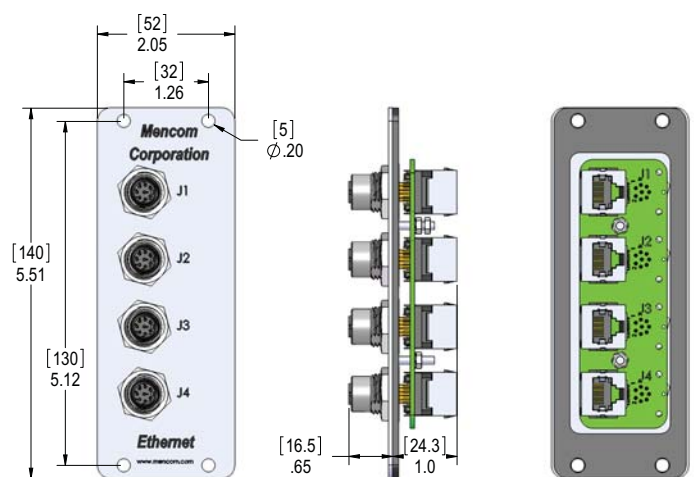
- Plate: Stainless Steel
- M12 Coupling: Nickel Plated Brass
- M12 Insert: Polyamide
- Contacts: Copper Alloy with Gold Plating
- O-Rings: NBR
- Gasket: PVC NBR
- RJ45 Connector.: Cat 5
- Mounting Screws: #8 or M4 Screws
- Shielding: Shield connected between MDE45 Housing and RJ45 Connector
- Temperature: -40°C to +80°C (-40°F to +176°F)
- Protection: IP 65



Cut-out





D24-4MDE45-RJ45



D24-4MDC-8FR-RJ45

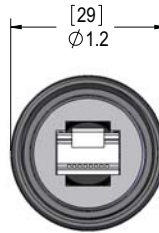
Ethernet Series Etherlink V3 Field Wireable

Male Plug

Etherlink V3 Field Wireable Male Plug			
Front View	# of Poles	Part Number	Side View
	8	E45V3-8MP-FW	

Specifications:

Body: Black Polyamide
 Coupling Nut: Black Anodized Aluminum
 O-Ring: BUNA-N
 Grommets: NBR & TPE
 Protection: IP 67



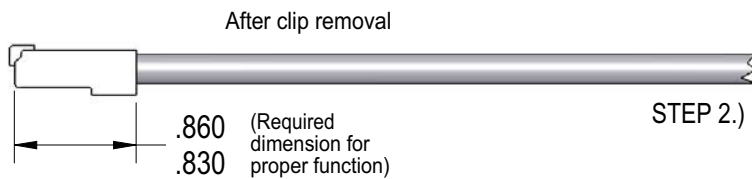
Patented by Mencom Corporation

It is recommended that quality Mencom cables are used with the field wireable connectors to assure an accurate fit. However, if using another brand, the dimensions of the connector must meet the dimensions shown below.

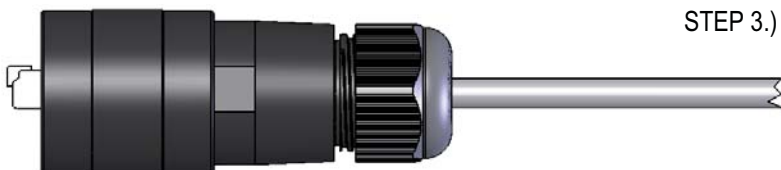
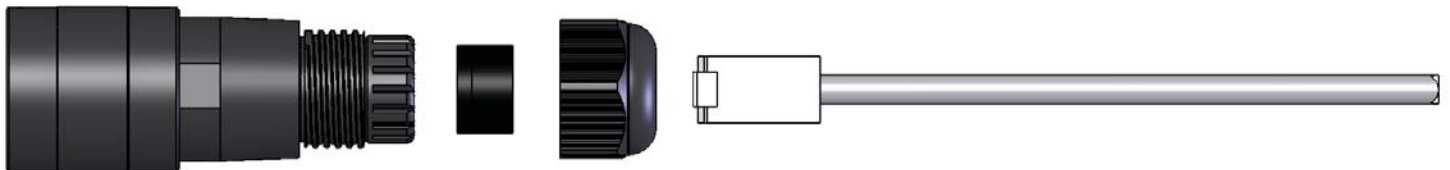
Assembly Instructions



STEP 1.) Remove clip by cutting or by bending it back and forth until it breaks.








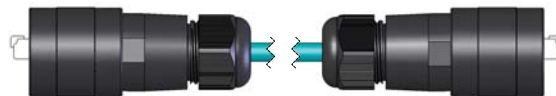
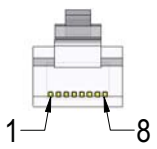

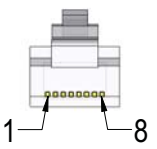
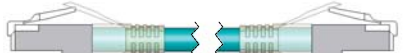
STEP 2.) With connector unassembled, push cable through dome nut, split apart the grommet and wrap it around the cable, then push the cable through the remainder of the connector.



STEP 3.) Push grommet back into the "fingers" of the shell. Rotate cable 90 degrees and pull it back into connector until it stops. With slight tension on cable, tighten dome nut (3.75Nm recommended).

Ethernet Series Etherlink V3 Cordsets

Male Plugs ❖ Male to Male Extension Cables ❖ RJ45 to Male Plug ❖ PVC & PUR Cable

E45V3 to Cable						
Front View	# of Poles	Length	Part Number		Side View	
			PVC Male	PUR Male		
	8	2M 5M 10M	E45V3-8MP-2M E45V3-8MP-5M E45V3-8MP-10M	E45V3P-8MP-2M E45V3P-8MP-5M E45V3P-8MP-10M		
E45V3 to RJ45						
Front View	# of Poles	Length	Part Number		Side View	
			PVC Male	PUR Male		
	8	2M 5M 10M	E45V3-8MP-RJ45-2M E45V3-8MP-RJ45-5M E45V3-8MP-RJ45-10M	E45V3P-8MP-RJ45-2M E45V3P-8MP-RJ45-5M E45V3P-8MP-RJ45-10M		
E45V3 Male to Male Extension Cables						
Front View	# of Poles	Length	Part Number		Side View	
			PVC Male	PUR Male		
	8	2M 5M 10M	E45V3-8MMP-2M E45V3-8MMP-5M E45V3-8MMP-10M	E45V3P-8MMP-2M E45V3P-8MMP-5M E45V3P-8MMP-10M		
RJ45 Male to Male Plug						
Front View	# of Poles	Wire AWG Rating	Length	Part Number		Side View
				PVC**	PUR	
	8	24 60V 1A	3 FT 7 FT 10 FT 15 FT 25 FT	RJ45-3 RJ45-7 RJ4-10 RJ45-15 RJ45-25	RJ45P-3 RJ45P-7 RJ45P-10 RJ45P-15 RJ45P-25	
RJ45 Male to Male Plug with Strain Relief						
Front View	# of Poles	Wire AWG Rating	Length	Part Number		Side View
				PVC**	PUR	
	8	24 60V 1A	3 FT 7 FT 10 FT 15 FT 25 FT	RJ45-8MMP-3 RJ45-8MMP-7 RJ45-8MMP-10 RJ45-8MMP-15 RJ45-8MMP-25	RJ45P-8MMP-3 RJ45P-8MMP-7 RJ45P-8MMP-10 RJ45P-8MMP-15 RJ45P-8MMP-25	

Other cable lengths are available. Please consult the factory. **Cable Specifications on Page M-26 do not apply to these cables.

Ethernet Series Etherlink V3 Receptacles

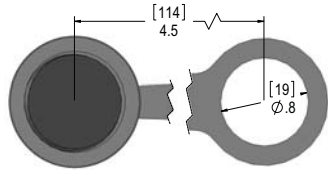
Female Receptacles

Etherlink V3 Female Receptacle to Male Plug with Cat 5 Cable					
Front View	# of Poles	Wire AWG Rating	Length	Part Number	Side View
	8	24 60V 1A	1 FT 3 FT 7 FT	E45V3-8FMR-1-M25 E45V3-8FMR-3-M25 E45V3-8FMR-7-M25	
Etherlink V3 Female Receptacle to 110 Punchdown Block					
Front View	# of Poles	Wire AWG Rating	Part Number	Side View	
	8	20 - 26 AWG Solid Copper Wire	E45V3-8FR-110-M25		
Etherlink V3 Female Receptacle to Female Receptacle					
Front View	# of Poles	Part Number	Side View		
	8	E45V3-8FFR-M25 E45V3-8FFR-M25-CP*			
Etherlink V3 Field Wireable to Female Receptacle Solder to Board					
Front View	# of Poles	Part Number	Side View		
	8	E45V3-8FR-FW-M25			


Accessories

Part Number: E45V3-CAP

Top View of Cap



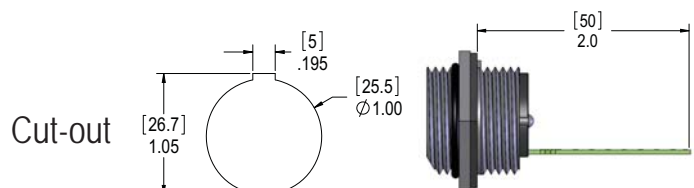
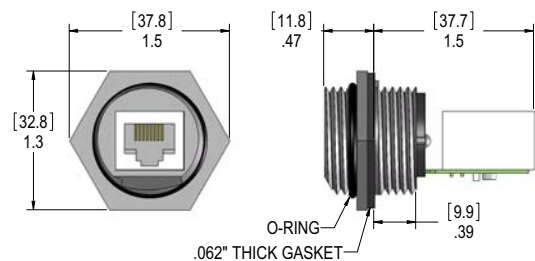
Protective Lock Nut



* Add a "-CP" as a suffix to order the Etherlink V3 Female Receptacle with cap. Protective Lock Nut provided with each receptacle.



Specifications:

Insulator: Polyamide
 Cable: CAT 5 with PVC Jacket
 Contacts: Copper Alloy with Gold Plating
 O-Ring: BUNA-N
 Temperature: -40°C to +80°C (-40°F to +176°F)
 Protection: IP 67



Ethernet Series Etherlink V1 Field Wireable

Male Plug

Etherlink V1 Field Wireable Male Plug			
Front View	# of Poles	Part Number	Side View
	8	E45V1-8MP-FW	

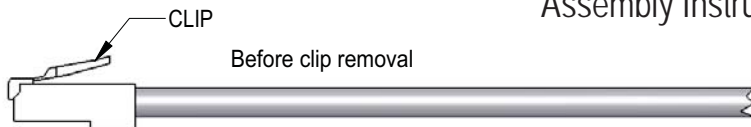
Specifications:

Body: Black Polyamide
 Coupling Nut: Black Anodized Aluminum
 O-Ring: BUNA-N
 Grommets: NBR & TPE
 Protection: IP 67
 Patented by Mencom Corporation

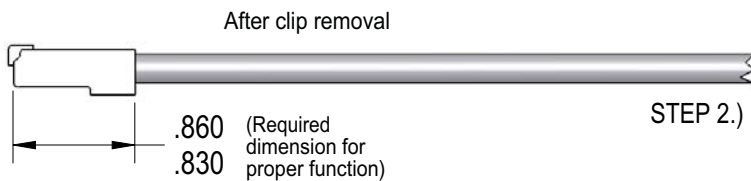


It is recommended that quality Mencom cables are used with the field wireable connectors to assure an accurate fit. However, if using another brand, the dimensions of the connector must meet the dimensions shown below.

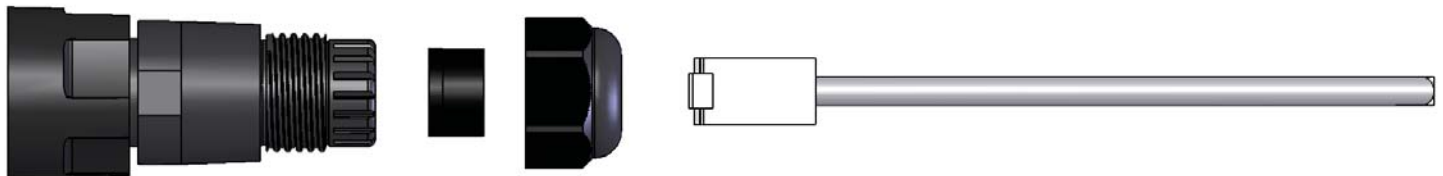
Assembly Instructions



STEP 1.) Remove clip by cutting or by bending it back and forth until it breaks.








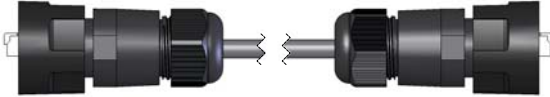
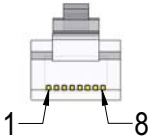
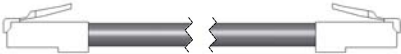
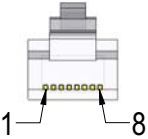

STEP 2.) With connector unassembled, push cable through dome nut, split apart the grommet and wrap it around the cable, then push the cable through the remainder of the connector.



STEP 3.) Push grommet back into the "fingers" of the shell. Rotate cable 90 degrees and pull it back into connector until it stops. With slight tension on cable, tighten dome nut (3.75Nm recommended).

Ethernet Series Etherlink V1 Cordsets

Male Plugs ❖ Male to Male Extension Cables ❖ RJ45 to Male Plug ❖ PVC & PUR Cable

E45V1 to Cable						
Front View	# of Poles	Length	Part Number		Side View	
			PVC Male	PUR Male		
	8	2M 5M 10M	E45V1-8MP-2M E45V1-8MP-5M E45V1-8MP-10M	E45V1P-8MP-2M E45V1P-8MP-5M E45V1P-8MP-10M		
E45V1 to RJ45						
Front View	# of Poles	Length	Part Number		Side View	
			PVC Male	PUR Male		
	8	2M 5M 10M	E45V1-8MP-RJ45-2M E45V1-8MP-RJ45-5M E45V1-8MP-RJ45-10M	E45V1P-8MP-RJ45-2M E45V1P-8MP-RJ45-5M E45V1P-8MP-RJ45-10M		
E45V3 Male to Male Extension Cables						
Front View	# of Poles	Length	Part Number		Side View	
			PVC Male	PUR Male		
	8	2M 5M 10M	E45V1-8MMP-2M E45V1-8MMP-5M E45V1-8MMP-10M	E45V1P-8MMP-2M E45V1P-8MMP-5M E45V1P-8MMP-10M		
RJ45 Male to Male Plug						
Front View	# of Poles	Wire AWG Rating	Length	Part Number		Side View
				PVC**	PUR	
	8	24 60V 1A	3 FT 7 FT 10 FT 15 FT 25 FT	RJ45-3 RJ45-7 RJ4-10 RJ45-15 RJ45-25	RJ45P-3 RJ45P-7 RJ45P-10 RJ45P-15 RJ45P-25	
RJ45 Male to Male Plug with Strain Relief						
Front View	# of Poles	Wire AWG Rating	Length	Part Number		Side View
				PVC**	PUR	
	8	24 60V 1A	3 FT 7 FT 10 FT 15 FT 25 FT	RJ45-8MMP-3 RJ45-8MMP-7 RJ45-8MMP-10 RJ45-8MMP-15 RJ45-8MMP-25	RJ45P-8MMP-3 RJ45P-8MMP-7 RJ45P-8MMP-10 RJ45P-8MMP-15 RJ45P-8MMP-25	

Other cable lengths are available. Please consult the factory. **Cable Specifications on Page M-26 do not apply to these cables.

Ethernet Series Etherlink V1 Receptacles

Female Receptacles

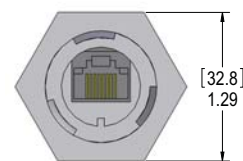
Etherlink V1 Female Receptacle to Male Plug with Cat 5 Cable					
Front View	# of Poles	Wire AWG Rating	Length	Part Number	Side View
	8	24 60V 1A	1 FT 3 FT 7 FT	E45V1-8FMR-1-M25 E45V1-8FMR-3-M25 E45V1-8FMR-7-M25	
Etherlink V1 Female Receptacle to 110 Punchdown Block					
Front View	# of Poles	Wire AWG Rating	Part Number	Side View	
	8	20 - 26 AWG Solid Copper Wire	E45V1-8FR-110-M25		
Etherlink V1 Female Receptacle to Female Receptacle					
Front View	# of Poles	Part Number	Side View		
	8	E45V1-8FFR-M25 E45V1-8FFR-M25-CP*			
Etherlink V1 Field Wireable to Female Receptacle Solder to Board					
Front View	# of Poles	Part Number	Side View		
	8	E45V1-8FR-FW-M25			

Accessories
Part Number: E45V1-CAP
Top View of Cap
Protective Lock Nut

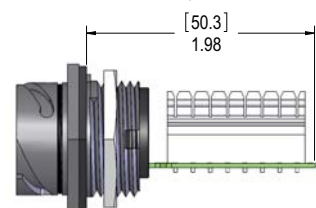
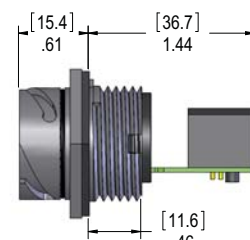
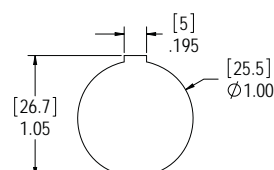
* Add a "-CP" as a suffix to order the Etherlink V1 Female Receptacle with cap.
Protective Lock Nut provided with each receptacle.

Specifications:

Insulator: Polyamide
 Cable: CAT 5 with PVC Jacket
 Contacts: Copper Alloy with Gold Plating
 O-Ring: BUNA-N
 Temperature: -40°C to +80°C (-40°F to +176°F)
 Protection: IP 67



Cut-out



Ethernet Series

Ethernet Series Etherlink V1 Receptacles

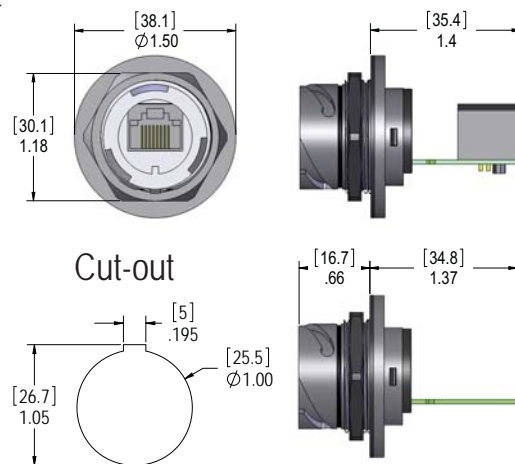
Female Receptacles

Etherlink V1 Female Receptacle Back Mount to Male Plug with Cat 5 Cable					
Front View	# of Poles	Wire AWG Rating	Length	Part Number	Side View
	8	24 60V 1A	1 FT 3 FT 7 FT	E45V1-8FMR-1-BM E45V1-8FMR-3-BM E45V1-8FMR-7-BM	
Etherlink V1 Female Receptacle Back Mount to 110 Punchdown Block					
Front View	# of Poles	Wire AWG Rating	Part Number	Side View	
	8	20 - 26 AWG Solid Copper Wire	E45V1-8FR-110-BM		
Etherlink V1 Female Receptacle Back Mount to Female Receptacle					
Front View	# of Poles	Part Number	Side View		
	8	E45V1-8FFR-BM E45V1-8FFR-BM-CP*			
Etherlink V1 Field Wireable to Female Receptacle Back Mount Solder to Board					
Front View	# of Poles	Part Number	Side View		
	8	E45V1-8FR-FW-BM			
Accessories					
Part Number: E45V1-CAP					
Top View of Cap					
Protective Lock Nut					

* Add a "-CP" as a suffix to order the Etherlink V1 Female Receptacle with can Protective Lock Nut provided with each receptacle.

Specifications:





Insulator: Polyamide
 Cable: CAT 5 with PVC Jacket
 Contacts: Copper Alloy with Gold Plating
 O-Ring: BUNA-N
 Temperature: -40°C to +80°C (-40°F to +176°F)
 Protection: IP 67



Ethernet Series Accessories

RJ45 Field Wireable Connector Accessories & Tools



RJ45 Field Wireable Connector Accessories & Tools		
Description	Part Number	Side View
Cat 5/5e male RJ45 connector	RJ45-EZ5-FW	
Shielded Cat 5/5e male RJ45 connector	RJ45S-EZ5-FW	
Clear Cat 5e cable strain relief for RJ45-EZ and RJ45S-EZ	RJ45-EZ-SR-CL	
Crimp Tool for RJ45-EZ and RJ45S-EZ connectors	RJ45-EZ-CT	
Replacement blades for RJ45-EZ-CT	RJ45-EZ-CT-RB	

RJ45 Crimp Instructions

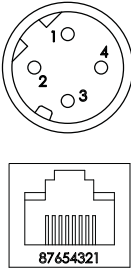
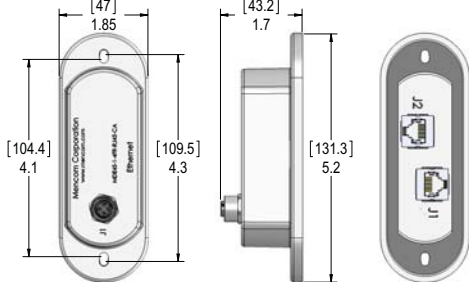
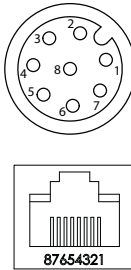
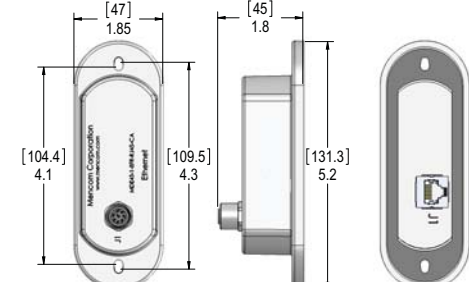
1. Strip off approximately two inches of outer cable jacket.
2. Untwist and straighten wires. Place in the desired order for wiring. (see wiring chart)
3. Trim wire ends so all conductors are the same length.
4. Insert wires into the connector and pull connector down over the cable jacket. Cable jacket should seat snugly in rear of connector.
5. Push the connector into the crimp tool, making sure it is fully seated in the crimp cavity.
6. Crimp the connector and break off any remaining loose wires.

Typical T568A / T568B Wiring Chart		
Wire	T568A	T568B
1	White/Green	White/Orange
2	Green	Orange
3	White/Orange	White/Green
4	Blue	Blue
5	White/Blue	White/Blue
6	Orange	Green
7	White/Brown	White/Brown
8	Brown	Brown



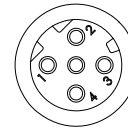
Ethernet Series Accessories

Conduit Adapters ❖ MDE45 to RJ45 ❖ 1 Port

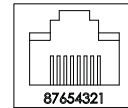
Conduit Adapters RJ45			
Face Views	# of Poles	Part Number	Top View
	4	MDE45-1-4FR-RJ45-CA	
	8	MDE45-1-8FR-RJ45-CA	

Specifications:

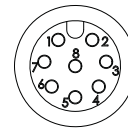
Housing: Glass Filled PBT
 Recp. Shell: Nickel Plated Brass
 Insert: Polyamide
 Contacts: Copper Alloy with Gold Plating
 Gasket: NBR
 Temperature: -40°C to +70°C (-40°F to +158°F)
 Protection: IP 65



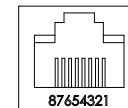
- 1 = White/Orange (+ TX)
- 2 = White/Green (+ RX)
- 3 = Orange (- TX)
- 4 = Green (- RX)



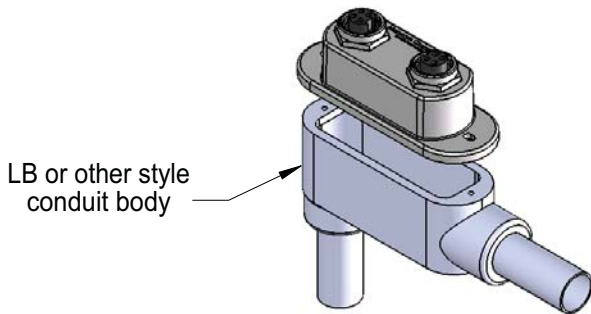
- 1 = White/Orange (+ TX)
- 2 = Orange (- TX)
- 3 = White/Green (+ RX)
- 4 = N/C
- 5 = N/C
- 6 = Green (- RX)
- 7 = N/C
- 8 = N/C



- 1 = White/Blue
- 2 = White/Brown
- 3 = Brown
- 4 = Orange (-TX)
- 5 = White/Green (+RX)
- 6 = White/Orange (+TX)
- 7 = Blue
- 8 = Green (-RX)



- 1 = White/Orange (+TX)
- 2 = Orange (-TX)
- 3 = White/Green (+RX)
- 4 = Blue
- 5 = White/Blue
- 6 = Green (-RX)
- 7 = White/Brown
- 8 = Brown

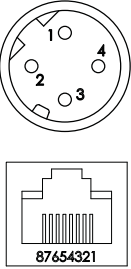
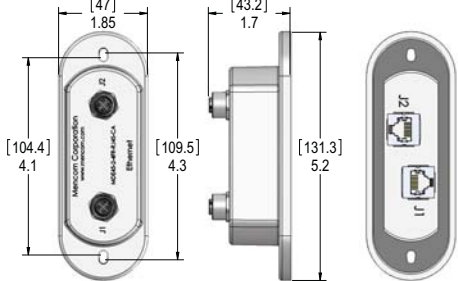
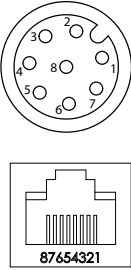
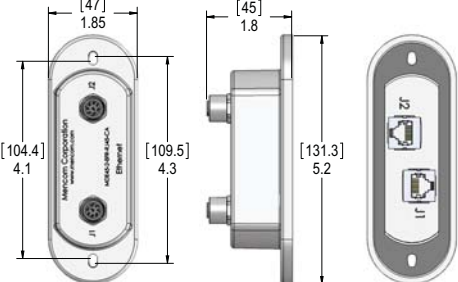


Remove existing Conduit Body cover and replace with Mencom Conduit Adapter.

Works with all standard 3/4" NPT conduit bodies, including Form 8 and Mark 9 adapters. (screws are included with adapter)

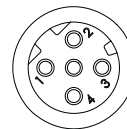
Ethernet Series Accessories

Conduit Adapters ❖ MDE45 to RJ45 ❖ 2 Port

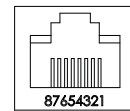
Conduit Adapters RJ45			
Face Views	# of Poles	Part Number	Top View
	4	MDE45-2-4FR-RJ45-CA	
	8	MDE45-2-8FR-RJ45-CA	

Specifications:

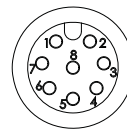
Housing: Glass Filled PBT
 Recp. Shell: Nickel Plated Brass
 Insert: Polyamide
 Contacts: Copper Alloy with Gold Plating
 Gasket: NBR
 Temperature: -40°C to +70°C (-40°F to +158°F)
 Protection: IP 65



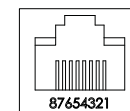
1 = White/Orange (+ TX)
 2 = White/Green (+ RX)
 3 = Orange (- TX)
 4 = Green (- RX)



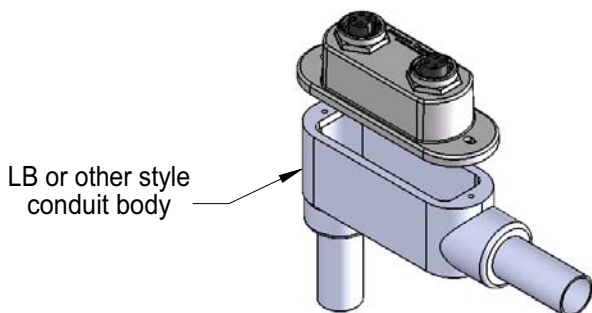
1 = White/Orange (+ TX)
 2 = Orange (- TX)
 3 = White/Green (+ RX)
 4 = N/C
 5 = N/C
 6 = Green (- RX)
 7 = N/C
 8 = N/C



1 = White/Blue
 2 = White/Brown
 3 = Brown
 4 = Orange (-TX)
 5 = White/Green (+RX)
 6 = White/Orange (+TX)
 7 = Blue
 8 = Green (-RX)



1 = White/Orange (+TX)
 2 = Orange (-TX)
 3 = White/Green (+RX)
 4 = Blue
 5 = White/Blue
 6 = Green (-RX)
 7 = White/Brown
 8 = Brown



Remove existing Conduit Body cover and replace with Mencom Conduit Adapter.

Works with all standard 3/4" NPT conduit bodies, including Form 8 and Mark 9 adapters. (screws are included with adapter)

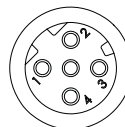
Ethernet Series Accessories

Conduit Adapters ❖ MDE45 to 110 Punchdown ❖ 1 Port

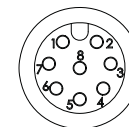
Conduit Adapters 110 Punchdown			
Face Views	# of Poles	Part Number	Top View
	4	MDE45-1-4FR-110-CA	
	8	MDE45-1-8FR-110-CA	

Specifications:

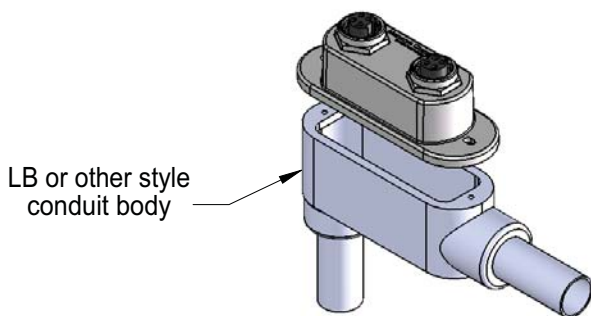
Housing: Glass Filled PBT
 Recp. Shell: Nickel Plated Brass
 Insert: Polyamide
 Contacts: Copper Alloy with Gold Plating
 Gasket: NBR
 Temperature: -40°C to +70°C (-40°F to +158°F)
 Protection: IP 65



1 = White/Orange (+ TX)
 2 = White/Green (+ RX)
 3 = Orange (- TX)
 4 = Green (- RX)



1 = White/Blue
 2 = White/Brown
 3 = Brown
 4 = Orange (-TX)
 5 = White/Green (+RX)
 6 = White/Orange (+TX)
 7 = Blue
 8 = Green (-RX)

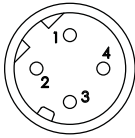
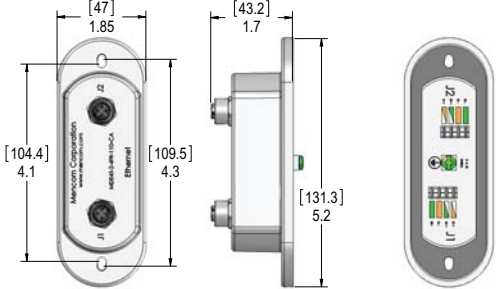
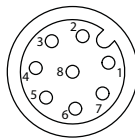
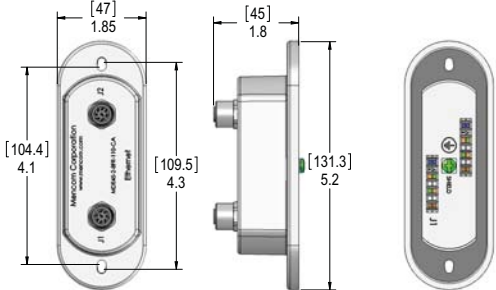


Remove existing Conduit Body cover and replace with Mencom Conduit Adapter.

Works with all standard 3/4" NPT conduit bodies, including Form 8 and Mark 9 adapters. (screws are included with adapter)

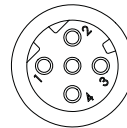
Ethernet Series Accessories

Conduit Adapters ❖ MDE45 to 110 Punchdown ❖ 2 Port

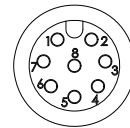
Conduit Adapters 110 Punchdown			
Face Views	# of Poles	Part Number	Top View
	4	MDE45-2-4FR-110-CA	
	8	MDE45-2-8FR-110-CA	

Specifications:

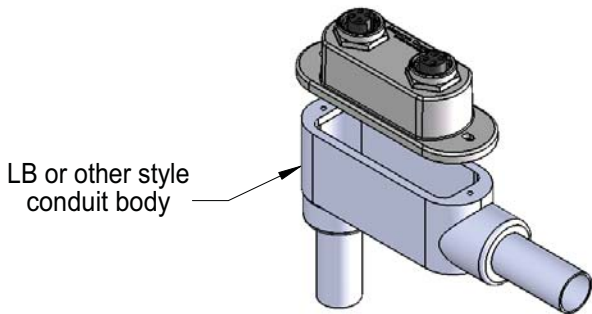
- Housing: Glass Filled PBT
- Recp. Shell: Nickel Plated Brass
- Insert: Polyamide
- Contacts: Copper Alloy with Gold Plating
- Gasket: NBR
- Temperature: -40°C to +70°C (-40°F to +158°F)
- Protection: IP 65



- 1 = White/Orange (+ TX)
- 2 = White/Green (+ RX)
- 3 = Orange (- TX)
- 4 = Green (- RX)



- 1 = White/Blue
- 2 = White/Brown
- 3 = Brown
- 4 = Orange (-TX)
- 5 = White/Green (+RX)
- 6 = White/Orange (+TX)
- 7 = Blue
- 8 = Green (-RX)



Remove existing Conduit Body cover and replace with Mencom Conduit Adapter.

Works with all standard 3/4" NPT conduit bodies, including Form 8 and Mark 9 adapters. (screws are included with adapter)

Ethernet Series Cable Specifications

PVC ❖ Polyurethane

	<u>PVC Cable</u>	<u>Polyurethane Cable</u>
<u>Cable Construction:</u>		
Conductors:	24 AWG, 7/32 Tinned copper. 0.61mm dia. nom.	24 AWG, 7/32 Tinned copper. 0.61mm dia. nom.
Conductor Insulation:	High density polyethylene. 1.05mm max dia.	High density polyethylene. 1.05mm max dia.
Conductor Pairing:	Color coded singles twisted into pairs. 2.10mm max dia.	Color coded singles twisted into pairs. 2.10mm max dia.
Cable:	4 pairs twisted together with tissue wrap. 4.14mm dia. nom.	4 pairs twisted together with tissue wrap. 4.14mm dia. nom. Shielded Version: Polyurethane
Jacketing:	Teal PVC. .64mm nom. thickness. Cable dia. 5.7mm nom.	Black PUR. .51mm nom. thickness. Cable dia. 5.6mm nom.
<u>Physical Properties:</u>		
Operating Temperature:	Min -40°C, Max 60°C	Min -40°C, Max 75°C
Weight kg/km:	38	31
Resistance:	UV and oil resistant jacketing	UV and oil resistant jacketing
<u>Electrical Characteristics:</u>		
Capacitance, Mutual:	13.5Pf/ft @ 1 MHz	13.5Pf/ft @ 1 MHz
Dielectric Withstanding, min:	900V RMS	1500V RMS
Voltage Rating, max:	30V	300V
DC Resistance, max:	26.0 Ohms	26.0 Ohms
Impedance	1-100 MHz 100 +/- 15 Ohms	100 +/- 15 Ohms
	100-350 MHz 100 +/- 20 Ohms	100 +/- 20 Ohms
SRL	1-20 MHz 23 dB	23 dB
	20-100 MHz 23 - 10 Log(F/20)	23 - 10 Log(F/20)
Return Loss	1-10 MHz 20 + 5 Log(F) dB min	20 + 5 Log(F) dB
	10-20 MHz 25 Db min	min 25 Db min
	20-100 MHz 25 - 8.6 Log(F/20) dB min	25 - 8.6 Log(F/20)
PS Next	1-100 MHz 71 - 15 Log(F/.772) min	dB min 71 - 15 Log(F/.772)
Next	1-100 MHz 73 - 15 Log(F/.772) min	min 73 - 15 Log(F/.772)
PS Elfext	1-100 MHz 67 - 20 Log(F/.772) min	min 67 - 20 Log(F/.772)
Elfext	1-100 MHz 67 - 20 Log(F/.772) min	min 67 - 20 Log(F/.772)
Delay	1-100 MHz 534 + 36/Sqrt(F)	min 534 + 36/Sqrt(F)
Delay Skew	1-100 MHz <25Ns	<25Ns
LCL	1-100 MHz -38dB min	-38dB min

Ethernet Series Cable Specifications & RJ45 Kits

PVC ❖ Polyurethane

PVC Cable

Polyurethane Cable

Attenuation:

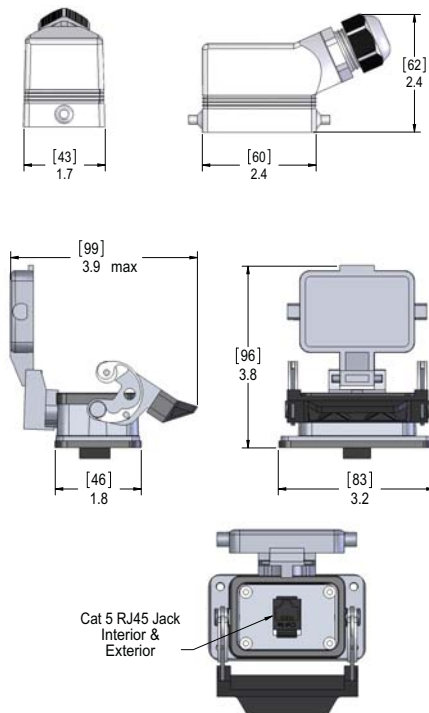
Frequency	spec 70m of cable (Cat 5e channel)	Attenuation Per meter
1.0	2.5	0.36
4.0	4.5	0.64
8.0	6.3	0.9
10.0	7.0	0.1
16.0	9.2	0.13
20.0	10.3	0.15
25.0	11.4	0.16
31.25	12.8	0.18
62.5	18.5	0.26
100.0	24.0	0.343

Frequency	spec 70m of cable (Cat 5e channel)	Attenuation Per meter
1.0	2.5	0.36
4.0	4.5	0.64
8.0	6.3	0.9
10.0	7.0	0.1
16.0	9.2	0.13
20.0	10.3	0.15
25.0	11.4	0.16
31.25	12.8	0.18
62.5	18.5	0.26
100.0	24.0	0.343

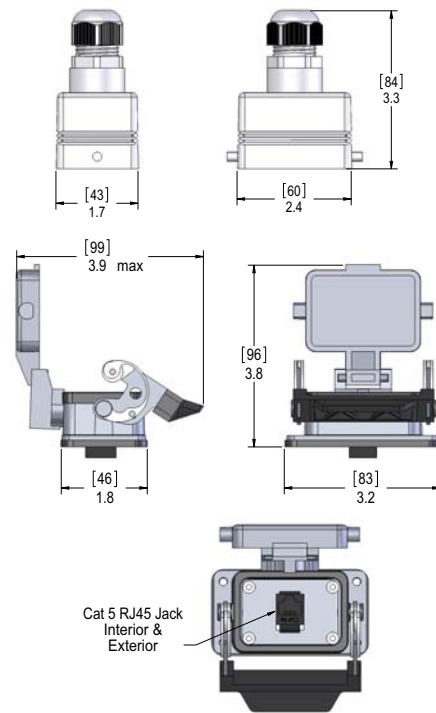
Note: All testing is conducted off the reel and without connectors attached.

Heavy Duty Ethernet Connection System

Part Number: RJ45-CKIT



Part Number: RJ45-CVKIT



These units are designed to be used with Mencom RJ45 Patch Cords:

- Part Numbers: RJ45-03 3 foot patch cord
- RJ45-07 7 foot patch cord
- RJ45-10 10 foot patch cord
- RJ45-15 15 foot patch cord

Other lengths are available, please consult the factory.





Foundation Fieldbus Series

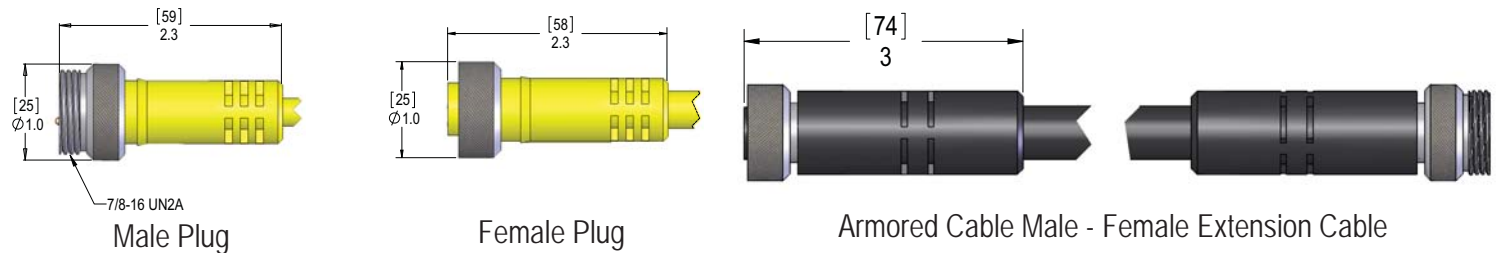
Cordsets	2
Cordset Accessories.....	3-4
Receptacles.....	5-6
Receptacle Accessories	7-8

Foundation Fieldbus Series Cordsets

Male & Female Plugs ❖ Male - Female Extensions ❖ 4 Pole ❖ 18 AWG

Foundation Fieldbus MIN Cordsets							
Face View of Male	# of Poles	Color Code	Wire AWG Rating	Length	Male Plugs	Female Plugs	Male - Female Extension Cables
	4	PIN #1 - (-) Blue PIN #2 - (+) Orange PIN #3 - Shield PIN #4 - N/C	18 300V 8A	1 M 2 M 4 M 6 M 10 M	FFIN-4MPX-1M-SS FFIN-4MPX-2M-SS FFIN-4MPX-4M-SS FFIN-4MPX-6M-SS FFIN-4MPX-10M-SS	FFIN-4FPX-1M-SS FFIN-4FPX-2M-SS FFIN-4FPX-4M-SS FFIN-4FPX-6M-SS FFIN-4FPX-10M-SS	FFIN-4MFPX-1M-SS FFIN-4MFPX-2M-SS FFIN-4MFPX-4M-SS FFIN-4MFPX-6M-SS FFIN-4MFPX-10M-SS
	4	PIN #1 - (-) Blue PIN #2 - (+) Orange PIN #3 - Shield PIN #4 - N/C	18 300V 8A	5 M 10 M 20 M 30 M	Consult Factory	Consult Factory	FFINA-4MFPX-5M-SS FFINA-4MFPX-10M-SS FFINA-4MFPX-20M-SS FFINA-4MFPX-30M-SS

Part numbers FFINA5-4MFPX-5M-SS, etc. Male to Female Extension Cables use armored cable.

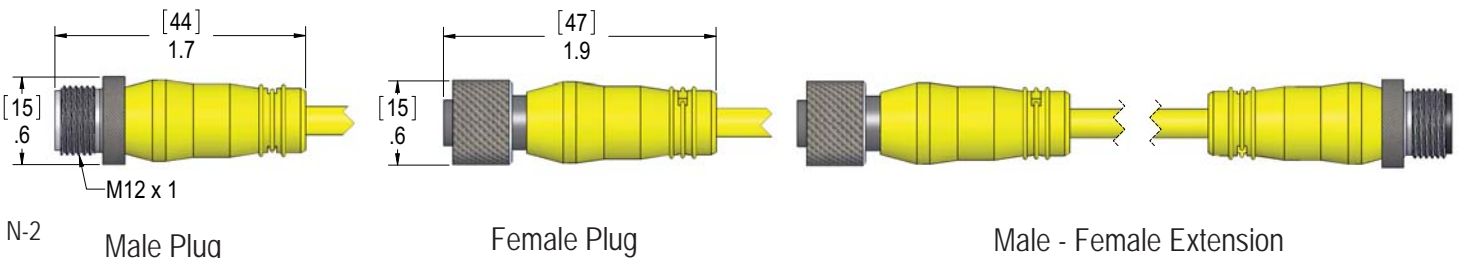


Foundation Fieldbus MDC Cordsets							
Face View of Male	# of Poles	Color Code	Wire AWG Rating	Length	Male Plugs	Female Plugs	Male - Female Extension Cables
	4	PIN #1 - (-) Blue PIN #2 - (+) Orange PIN #3 - Shield PIN #4 - N/C	18 300V 4A	1 M 2 M 4 M 6 M 10 M	FFDC-4MPX-1M-SS FFDC-4MPX-2M-SS FFDC-4MPX-4M-SS FFDC-4MPX-6M-SS FFDC-4MPX-10M-SS	FFDC-4FPX-1M-SS FFDC-4FPX-2M-SS FFDC-4FPX-4M-SS FFDC-4FPX-6M-SS FFDC-4FPX-10M-SS	FFDC-4MFPX-1M-SS FFDC-4MFPX-2M-SS FFDC-4MFPX-4M-SS FFDC-4MFPX-6M-SS FFDC-4MFPX-10M-SS

Longer lead lengths are available, please consult the factory for part numbers. The armored cable is grounded to the coupling nut.

Specifications:

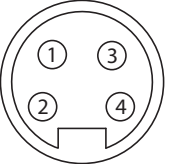
Body:	Black Flame Resistant PVC	Conductors:	18/2 with Shield
Contacts:	Copper Alloy with Gold Plating	Temperature:	-40°C to +105°C (-40°F to +221°F)
Coupling Nut:	Stainless Steel	Protection:	IP 67
Cable:	Crush Proof Orange PVC Jacket	Approvals:	U.S.: UL Recognized Canada: C-UL Recognized
	18 AWG, Type A Fieldbus Cable, ITC-ER		



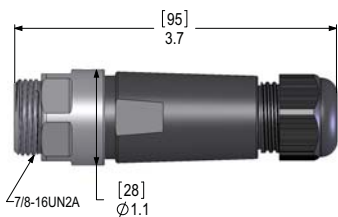
Foundation Fieldbus Series

Foundation Fieldbus Series Accessories

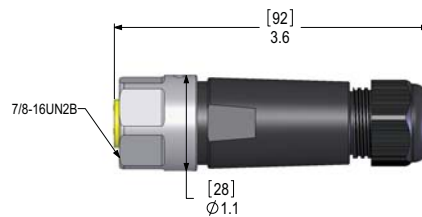
Field Wireable ❖ Male & Female ❖ MIN ❖ MDC

Foundation Fieldbus MIN Field Wireable					
Face View of Male	# of Poles	Wire AWG Rating	Cable O.D. Range	Male Straight (Male Threads)	Female Straight (Female Threads)
	4	14-22 600V 15A MAX	5 - 13 mm 8 - 17 mm	FFIN-4MPM-FW-SS FFIN-4MPM-FWX-SS	FFIN-4FP-FW-SS FFIN-4FP-FWX-SS

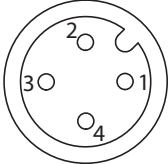
Connection via screw terminal. Voltage and amperage ratings are cable dependent and are based on 600V 14 AWG cable. Cables with lower voltage ratings and smaller conductors will lower these ratings.



Male Straight
(Male Threads)

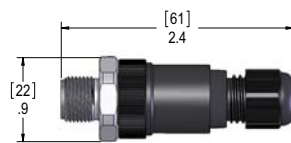


Female Straight
(Female Threads)

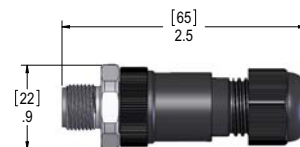
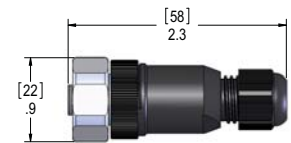
Foundation Fieldbus MDC Field Wireable						
Face View of Male	# of Poles	Wire AWG Rating	PG Size	Cable O.D. Range	Male Straight (Male Threads)	Female Straight (Female Threads)
	4	18-24 250V 4A MAX	PG 7 PG 9 PG 11	3 - 6.5 mm 4 - 8 mm 8 - 10 mm	FFDC-4MP-FW07-SS FFDC-4MP-FW09-SS FFDC-4MP-FW11-SS	FFDC-4FP-FW07-SS FFDC-4FP-FW09-SS FFDC-4FP-FW11-SS

Specifications:

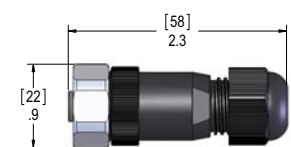
Body: Polyamide
 Contacts: Copper Alloy with Gold Plating
 O-Ring: Buna-N
 Coupling Nut: Stainless Steel
 Insert: PVC
 Temperature: -40°C to +90°C (-40°F to +194°F)
 Protection: IP 67 MAX
 Approvals: UL Pending



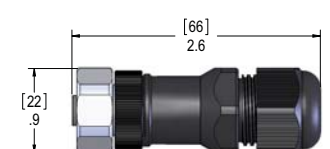
PG 7



PG 9



PG 11

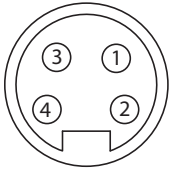
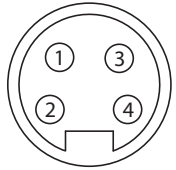
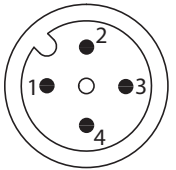
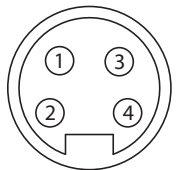


Male Straight
(Male Threads)

Female Straight
(Female Threads)

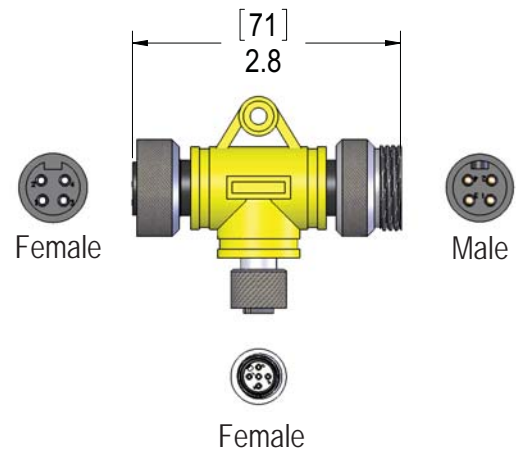
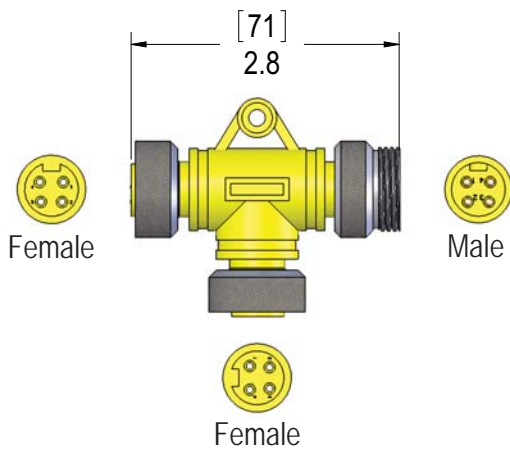
Foundation Fieldbus Series Accessories

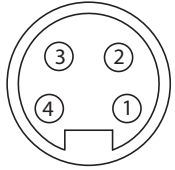
Male to Two Female "T" ❖ MIN ❖ MDC ❖ Dummy Plugs

Foundation Fieldbus MIN Male to Two MIN Female "T"					
Face View of Female	# of Poles	Rating	Part Number	Wiring	Face View of Male
	4	300V 8A	FFIN-4MFF-T-SS	1 to 1 to 1 2 to 2 to 2 3 to 3 to 3 4 to 4 to 4	
Foundation Fieldbus MIN Male to MIN & MDC Female "T"					
Face View of Female	# of Poles	Rating	Part Number	Wiring	Face View of Male
	4	300V 4A	FFINDC-4MFF-T-SS	1 to 1 to 1 2 to 2 to 2 3 to 3 to 3 4 to 4 to 4	

MIN-4MFF-T-SS

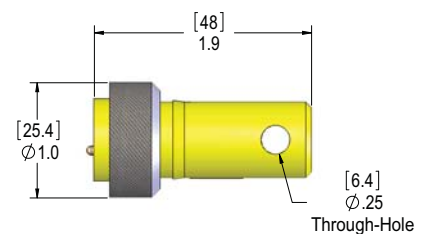
MINDC-4MFF-T-SS



Foundation Fieldbus Dummy Plugs				
Face View of Male	# of Poles	Jumpers	Female Plugs	Male Plugs
	4	1 to 2 3 to 4	FFIN-4FP-DP1-SS	FFIN-4MP-DP1-SS

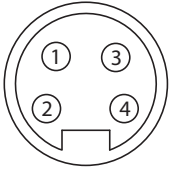
Specifications:

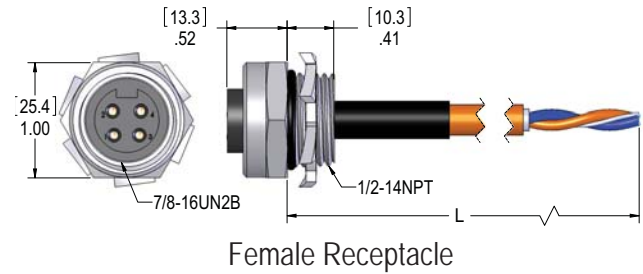
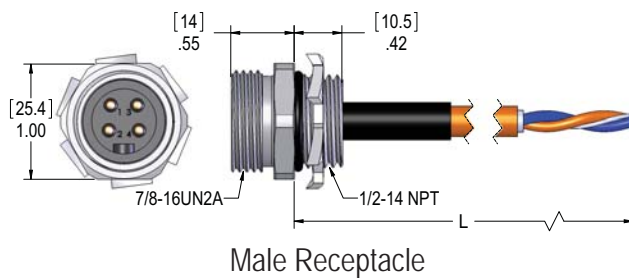
- Body: Oil Resistant Yellow PVC
- Contacts: Copper Alloy with Gold Plating
- Coupling Nut: Stainless Steel
- Temperature: -40°C to +105°C (-40°F to +221°F)
- Protection: IP 67
- Approvals: U.S.: UL Recognized; Canada: C-UL Recognized

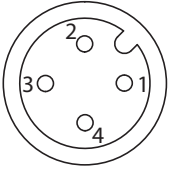


Foundation Fieldbus Series Receptacles

Male & Female Receptacles ❖ MIN ❖ MDC ❖ 1/2" - 14 NPT

Foundation Fieldbus MIN Receptacles 1/2" - 14 NPT						
Face View of Male	# of Poles	Color Code	Wire AWG Rating	Length	Male Receptacles	Female Receptacles
	4	PIN #1 - (-) Blue PIN #2 - (+) Orange PIN #3 - Shield PIN #4 - N/C	18 300V 8A	0.3 M 1 M 2 M	FFIN-4MR-0.3M-SS FFIN-4MR-1M-SS FFIN-4MR-2M-SS	FFIN-4FR-0.3M-SS FFIN-4FR-1M-SS FFIN-4FR-2M-SS

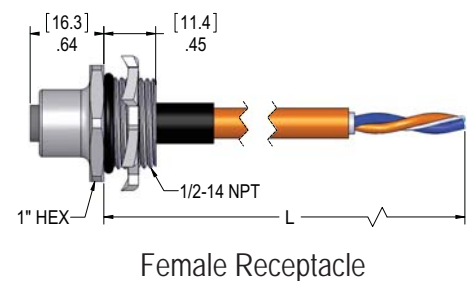
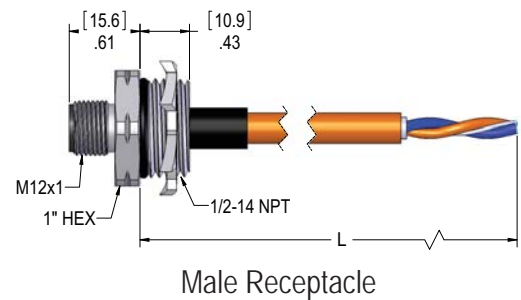


Foundation Fieldbus MDC Receptacles 1/2" - 14 NPT						
Face View of Male	# of Poles	Color Code	Wire AWG Rating	Length	Male Receptacles	Female Receptacles
	4	PIN #1 - (-) Blue PIN #2 - (+) Orange PIN #3 - Shield PIN #4 - N/C	18 300V 4A	0.3 M 1 M 2 M	FFDC-4MR-2-0.3M-SS FFDC-4MR-2-1M-SS FFDC-4MR-2-2M-SS	FFDC-4FR-2-0.3M-SS FFDC-4FR-2-1M-SS FFDC-4FR-2-2M-SS

Longer lead lengths are available, please consult the factory for part numbers. Lock Nut and O-Ring are included.

Specifications:

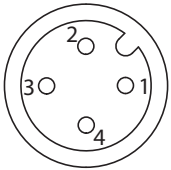
Shell: Stainless Steel
 Insulator: FFIN: 105°C, Oil Resistant Yellow PVC
 FFDC: Polyamide
 Cable: 18/2 Cable with Shield and Orange Jacket
 Contacts: Copper Alloy with Gold Plating
 O-Ring: BUNA-N
 Lock Nut: Zinc Plated Steel
 Temperature: -40°C to 105°C (-40°F to +221°F)
 Protection: IP 67
 Approvals: U.S.: UL Recognized
 Canada: C-UL Recognized

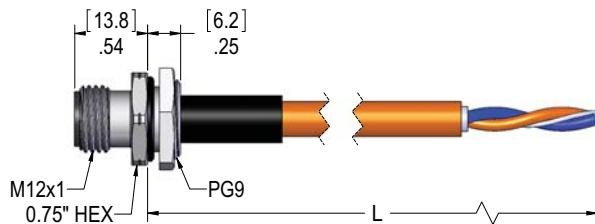




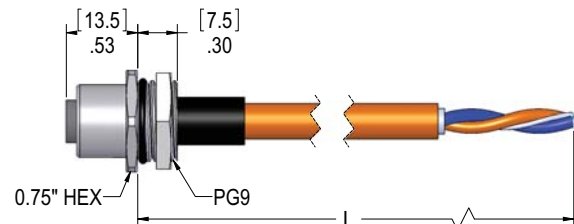
Foundation Fieldbus Series Receptacles

Male & Female Receptacles ❖ MDC ❖ PG 9 Threads ❖ Metric Threads

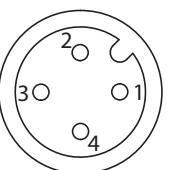
Foundation Fieldbus Receptacles PG 9 Threads						
Face View of Male	# of Poles	Color Code	Wire AWG Rating	Length	Male Receptacles	Female Receptacles
	4	PIN #1 - (-) Blue PIN #2 - (+) Orange PIN #3 - Shield PIN #4 - N/C	18 300V 4A	0.3 M 1 M 2 M	FFDC-4MR-PG9-0.3M-SS FFDC-4MR-PG9-1M-SS FFDC-4MR-PG9-2M-SS	FFDC-4FR-PG9-0.3M-SS FFDC-4FR-PG9-1M-SS FFDC-4FR-PG9-2M-SS



Male Receptacle



Female Receptacle

Foundation Fieldbus MDC Receptacles Metric Threads						
Face View of Male	# of Poles	Color Code	Wire AWG Rating	Length	Male Receptacles	Female Receptacles
	4	PIN #1 - (-) Blue PIN #2 - (+) Orange PIN #3 - Shield PIN #4 - N/C	18 300V 4A	0.3 M 1 M 2 M	FFDC-4MR-M20-0.3M FFDC-4MR-M20-1M FFDC-4MR-M20-2M	FFDC-4FR-M20-0.3M FFDC-4FR-M20-1M FFDC-4FR-M20-2M

Longer lead lengths are available, please consult the factory for part numbers.

Specifications:

Shell: PG 9: Stainless Steel
M20 x 1.5: Clear Anodized Aluminum

Insulator: Polyamide

Cable: 18/2 Cable with Shield and Orange Jacket

Contacts: Copper Alloy with Gold Plating

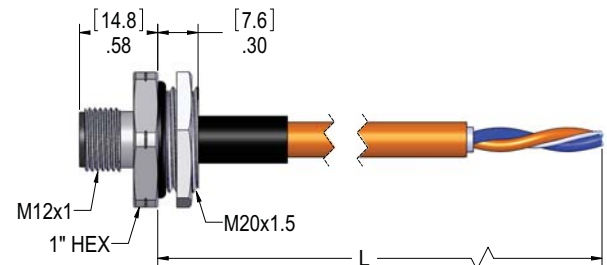
O-Ring: BUNA-N

Lock Nut: Nickel Plated Brass

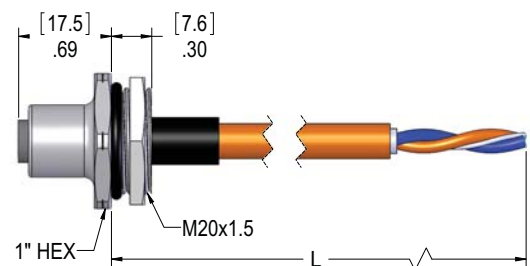
Temperature: -40°C to 105°C (-40°F to +221°F)

Protection: IP 67

Approvals: U.S.: UL Recognized
Canada: C-UL Recognized



Male Receptacle



Female Receptacle

Foundation Fieldbus Series Accessories

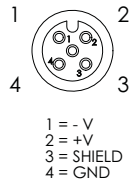
Conduit Adapters ❖ MIN ❖ MDC ❖ 1 Port

Conduit Adapters				
Face Views	# of Poles	Rating	Part Number	Top View
	4	40V 4A	FFIN-1-4FR-CA	
	4	40V 4A	FFDC-1-4FR-CA	

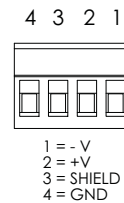
Specifications:

Housing: Glass Filled PBT
 Recp. Shell: Nickel Plated Brass
 Insert: Polyamide
 Contacts: Copper Alloy with Gold Plating
 Gasket: NBR
 Temperature: -40°C to +70°C (-40°F to +158°F)
 Protection: IP 65

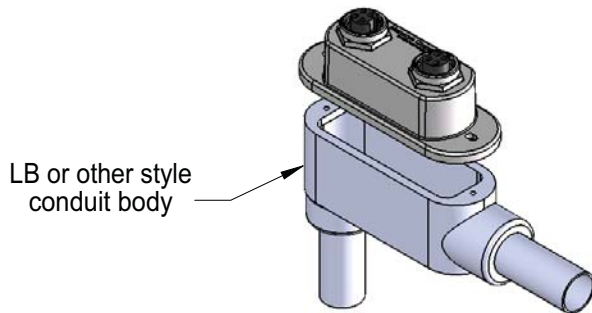
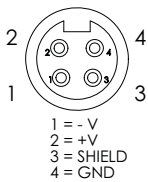
FFDC Face View



Pluggable Terminal Block

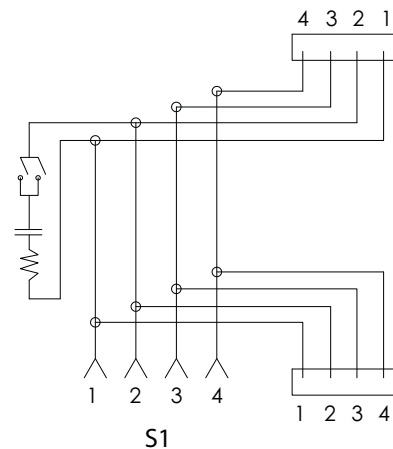


FFIN Face View



Remove existing Conduit Body cover and replace with Mencom Conduit Adapter.

Works with all standard 3/4" NPT conduit bodies, including Form 8 and Mark 9 adapters. (screws are included with adapter)



Foundation Fieldbus Series Accessories

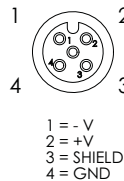
Conduit Adapters ❖ MIN ❖ MDC ❖ 2 Port

Conduit Adapters				
Face Views	# of Poles	Rating	Part Number	Top View
	4	40V 4A	FFIN-2-4FR-CA	
	4	40V 4A	FFDC-2-4FR-CA	

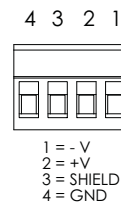
Specifications:

- Housing: Glass Filled PBT
- Recp. Shell: Nickel Plated Brass
- Insert: Polyamide
- Contacts: Copper Alloy with Gold Plating
- Gasket: NBR
- Temperature: -40°C to +70°C (-40°F to +158°F)
- Protection: IP 65

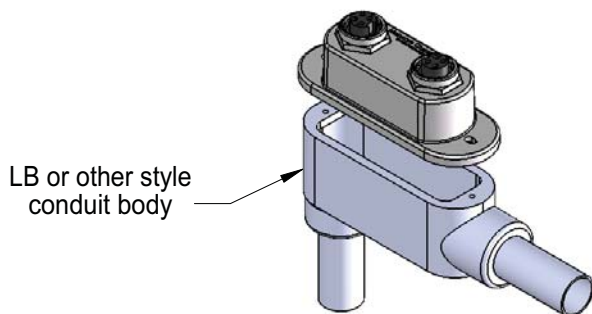
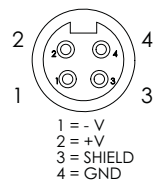
FFDC Face View



Pluggable Terminal Block

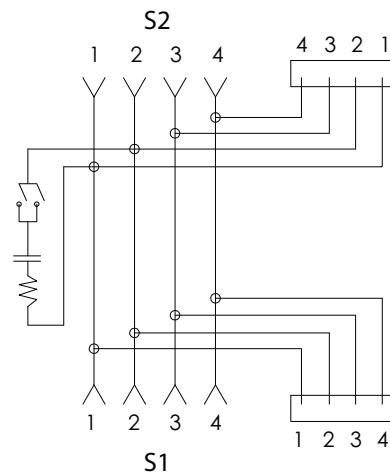


FFIN Face View



Remove existing Conduit Body cover and replace with Mencom Conduit Adapter.

Works with all standard 3/4" NPT conduit bodies, including Form 8 and Mark 9 adapters. (screws are included with adapter)



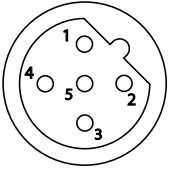


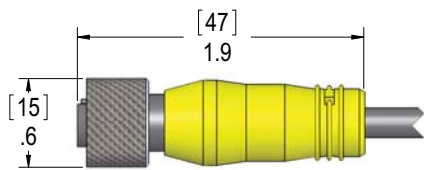
Profibus-DP Series

Cordsets	2
Accessories	3
Receptacles.....	4-6

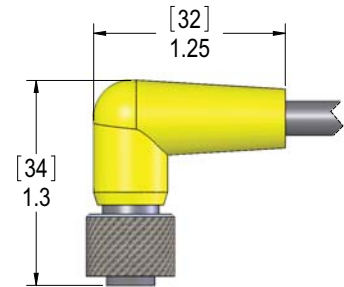
Profibus-DP Series Cordsets

MEC Male & Female Plugs ❖ Male - Female Extensions ❖ 3 Pole ❖ 22 AWG

Profibus-DP MEC Female Cordsets						
Face View of Female	# of Poles	Color Code	Wire AWG Rating	Length	Female Plugs	Female Right Angle
	3	PIN #1 - N/C PIN #2 - Green (Tx) PIN #3 - N/C PIN #4 - Red (Rx) PIN #5 - Shield	22 300V 4A	1 M 2 M 4 M 6 M 10 M	PBEC-3FP-1M PBEC-3FP-2M PBEC-3FP-4M PBEC-3FP-6M PBEC-3FP-10M	PBEC-3FP-1M-R PBEC-3FP-2M-R PBEC-3FP-4M-R PBEC-3FP-6M-R PBEC-3FP-10M-R

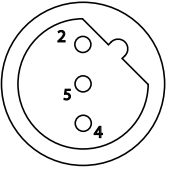


Straight Female Plug



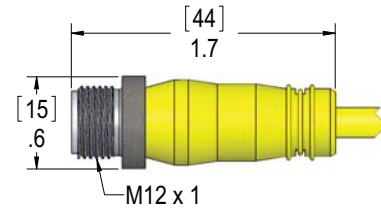
Right Angle Female Plug



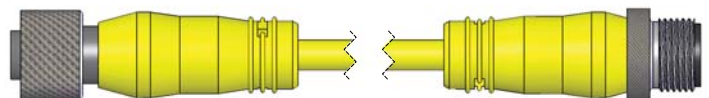
Profibus-DP MEC Male Cordsets & Male - Female Extension Cables						
Face View of Male	# of Poles	Color Code	Wire AWG Rating	Length	Male Plugs	Male - Female Extension Cables
	3	PIN #1 - N/C PIN #2 - Green (Tx) PIN #3 - N/C PIN #4 - Red (Rx) PIN #5 - Shield	22 300V 4A	1 M 2 M 4 M 6 M 10 M	PBEC-3MP-1M PBEC-3MP-2M PBEC-3MP-4M PBEC-3MP-6M PBEC-3MP-10M	PBEC-3MFP-1M PBEC-3MFP-2M PBEC-3MFP-4M PBEC-3MFP-6M PBEC-3MFP-10M

Specifications:

- Body: Yellow Flame Resistant PVC
- Contacts: Copper Alloy with Gold Plating
- Coupling Nut: Nickel Plated Brass
- Cable: Violet PVC Jacket
22 AWG, Type A Profus-DP Cable, ITC-ER
- Temperature: -40°C to +105°C (-40°F to +221°F)
- Protection: IP 67
- Approvals: U.S.: UL Recognized
Canada: C-UL Recognized



Straight Male Plug

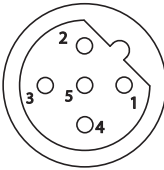


Male - Female Extension

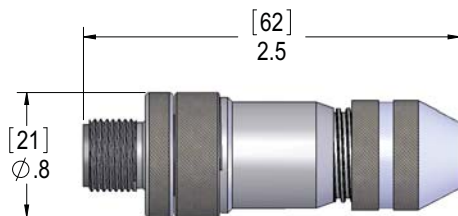
Profibus-DP Series

Profibus-DP Series Accessories

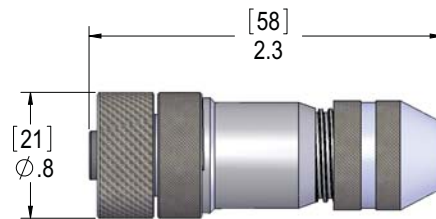
Field Wireable ❖ Male & Female ❖ MEC

Profibus-DP Fieldbus MEC Field Wireable					
Face View of Male	# of Poles	Wire AWG Rating	Cable O.D. Range	Male Plugs	Female Plugs
	5	18 - 24 50V 4A	3 - 9 mm	PBECM-5MP-FW	PBECM-5FP-FW

Connection via screw terminal. Voltage and amperage ratings are cable dependent and are based on 50V 18 AWG cable. Cables with lower voltage ratings and smaller conductors will lower these ratings.



Male Plugs



Female Plugs

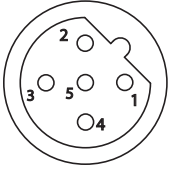
Specifications:

Body:	Nickel Plated Brass
Contacts:	Copper Alloy with Gold Plating
O-Ring:	BUNA-N
Coupling Nut:	Stainless Steel
Insert:	PVC
Temperature:	-40°C to +90°C (-40°F to +194°F)
Protection:	IP 67 MAX
Approvals:	UL Pending



Profibus-DP Series Receptacles

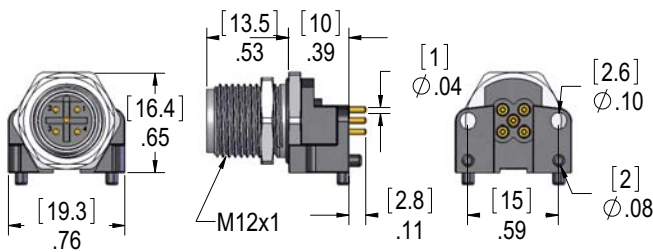
PCB Mount ❖ Male

Face View of Male	# of Poles	Rating	Style	Male Receptacles	
				Straight	Right Angle
	5	150V 4A	PCB Mount	PBEC-5MR-PCB	PBEC-5MR-PCB-R
			PCB Mount w/ Ground Tab	PBECM-5MR-PCB	PBECM-5MR-PCB-R

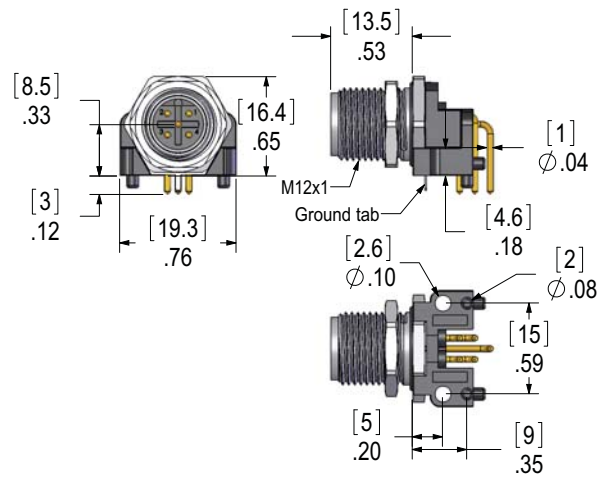
Specifications:

- Body: Polyamide
 - Contacts: Copper Alloy with Gold Plating
 - Shell: Nickel Plated Brass
 - O-Ring: BUNA-N
 - Approvals: U.S.: UL Recognized
Canada: C-UL Recognized
- *PBECM versions are pending approval

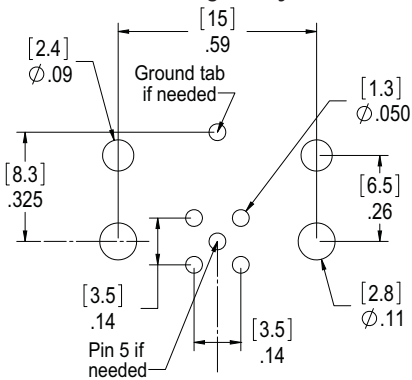
Male Straight



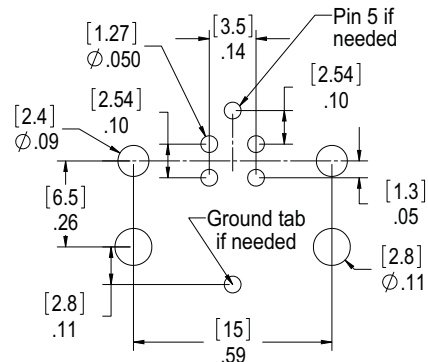
Male Right Angle



5 Pole Male Straight Layout



5 Pole Male Right Angle Layout



Profibus-DP Series Receptacles

PCB Mount ❖ Female

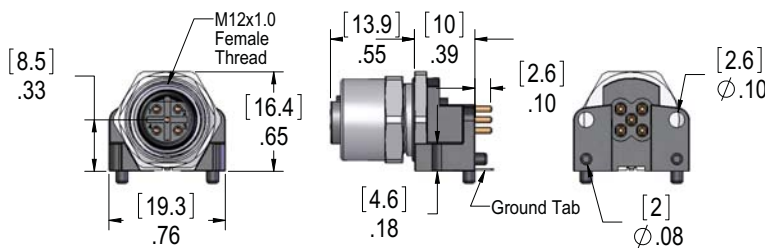


Face View of Female	# of Poles	Rating	Style	Female Receptacles	
				Straight	Right Angle
	5	150V 4A	PCB Mount	PBEC-5FR-PCB	PBEC-5FR-PCB-R
			PCB Mount w/ Ground Tab	PBECM-5FR-PCB	PBECM-5FR-PCB-R

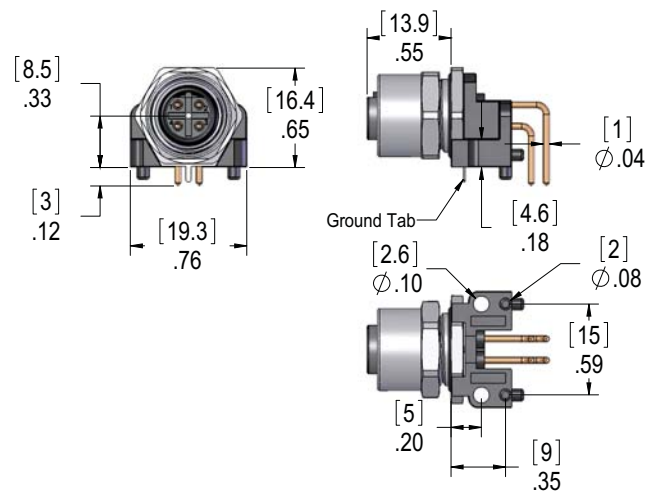
Specifications:

- Body: Polyamide
 - Contacts: Copper Alloy with Gold Plating
 - Shell: Nickel Plated Brass
 - O-Ring: BUNA-N
 - Approvals: U.S.: UL Recognized
Canada: C-UL Recognized
- *PBECM versions are pending approval

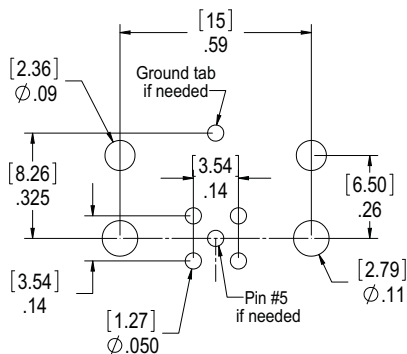
Female Straight



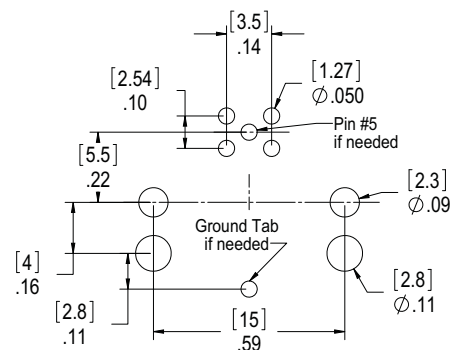
Female Right Angle



5 Pole Female Straight Layout



5 Pole Female Right Angle Layout



Profibus-DP Series

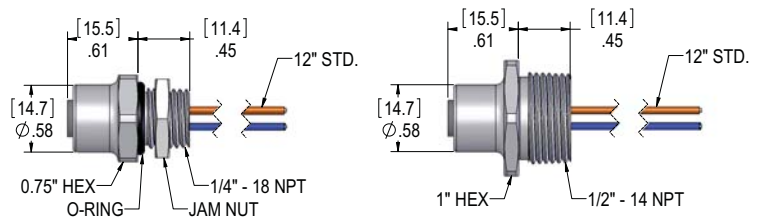
Profibus-DP Series Receptacles

MEC ❖ 1/2" - 14 NPT & 1/4" - 18 NPT Threads ❖ PG 9 Threads ❖ M20 Threads

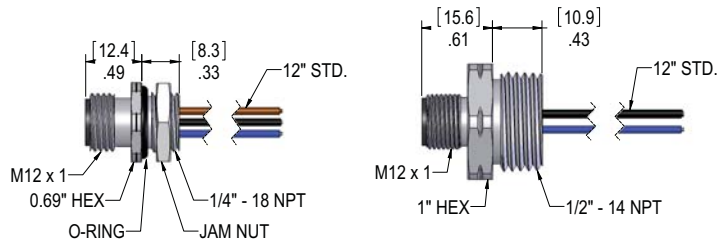
Profibus-DP MEC Receptacles 1/2" - 14 NPT, 1/4" - 18 NPT						
Face View of Male	# of Poles	Color Code	Wire AWG Rating	Threads	Male Receptacles	Female Receptacles
	3	PIN #1 - N/C PIN #2 - Green (TxD) PIN #3 - N/C PIN #4 - Red (Rx/D) PIN #5 - Shield	22 300V 4A	1/2" - 14 NPT 1/4" - 18 NPT	PBEC-3MR-2 PBEC-3MR-4	PBEC-3FR-2 PBEC-3FR-4

Longer lead lengths are available, please consult the factory for part numbers. Stainless Steel versions are available, add "-SS" suffix to the part number (e.g. PBEC-3MR-2-SS).

Female Receptacle



Male Receptacle



Profibus-DP MEC Receptacles PG 9 & M20 Threads						
Face View of Male	# of Poles	Color Code	Wire AWG Rating	Threads	Male Receptacle	Female Receptacle
	3	PIN #1 - N/C PIN #2 - Green (TxD) PIN #3 - N/C PIN #4 - Red (Rx/D) PIN #5 - Shield	22 300V 4A	PG 9 M20	PBEC-3MR-PG9 PBEC-3MR-M20	PBEC-3FR-PG9 PBEC-3FR-M20

Longer lead lengths are available, please consult the factory for part numbers. Stainless Steel versions are available, add "-SS" suffix to the part number (e.g. PBEC-3MR-2-SS).

Specifications:

Shell: 1/2" - 14 NPT: Clear Anodized Aluminum
1/4" - 18 NPT: Clear Anodized Aluminum
PG 9: Nickel Plated Brass
M20: Clear Anodized Aluminum

Insulator: Polyamide

Wire: 18 AWG, 300V

Contacts: Copper Alloy with Gold Plating

O-Ring: BUNA-N

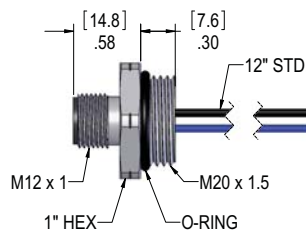
Temperature: -40°C to 105°C (-40°F to +221°F)

Protection: IP 67

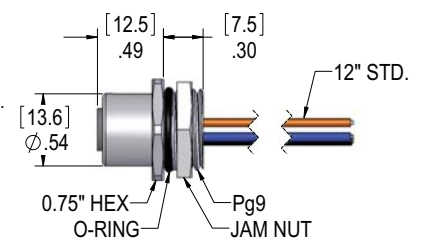
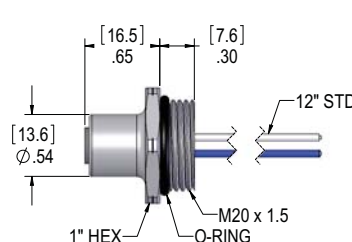
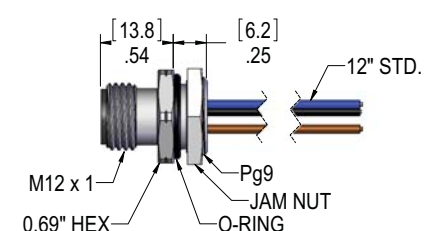
Approvals: U.S.: UL Recognized

Canada: C-UL Recognized

Male Receptacles



Female Receptacles





Profibus-PA Series

Cordsets	2
Cordset Accessories.....	3-4
Receptacles.....	5-6
Receptacle Accessories ...	7-8

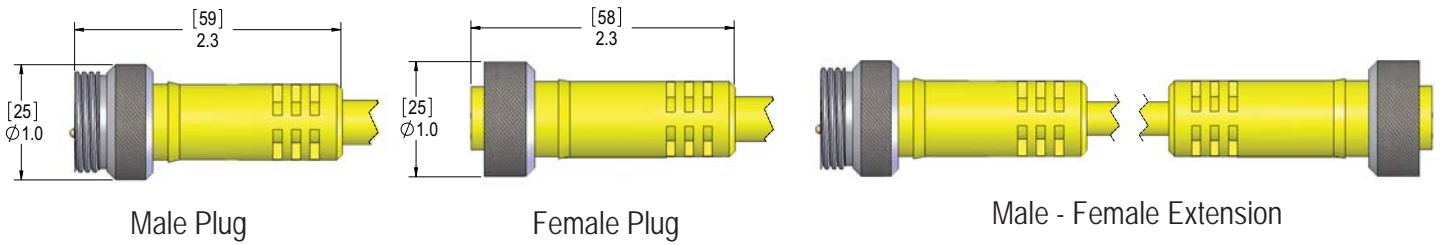


Profibus-PA Series Cordsets

Male & Female Plugs ❖ Male - Female Extensions ❖ 4 Pole ❖ 18 AWG

Profibus-PA MIN Cordsets							
Face View of Male	# of Poles	Color Code	Wire AWG Rating	Length	Male Plugs	Female Plugs	Male - Female Extension Cables
	4	PIN #1 - (+) Orange PIN #2 - N/C PIN #3 - (-) Blue PIN #4 - Shield	18 300V 8A	1 M 2 M 4 M 6 M 10 M	PBIN-4MPX-1M-SS PBIN-4MPX-2M-SS PBIN-4MPX-4M-SS PBIN-4MPX-6M-SS PBIN-4MPX-10M-SS	PBIN-4FPX-1M-SS PBIN-4FPX-2M-SS PBIN-4FPX-4M-SS PBIN-4FPX-6M-SS PBIN-4FPX-10M-SS	PBIN-4MFPX-1M-SS PBIN-4MFPX-2M-SS PBIN-4MFPX-4M-SS PBIN-4MFPX-6M-SS PBIN-4MFPX-10M-SS

Longer lead lengths are available, please consult the factory for part numbers.

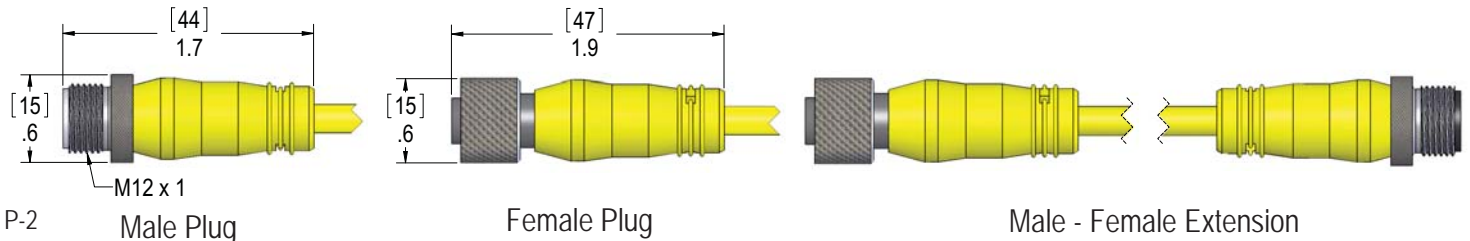


Profibus-PA MDC Cordsets							
Face View of Male	# of Poles	Color Code	Wire AWG Rating	Length	Male Plugs	Female Plugs	Male - Female Extension Cables
	4	PIN #1 - (+) Orange PIN #2 - N/C PIN #3 - (-) Blue PIN #4 - Shield	18 300V 4A	1 M 2 M 4 M 6 M 10 M	PBDC-4MPX-1M-SS PBDC-4MPX-2M-SS PBDC-4MPX-4M-SS PBDC-4MPX-6M-SS PBDC-4MPX-10M-SS	PBDC-4FPX-1M-SS PBDC-4FPX-2M-SS PBDC-4FPX-4M-SS PBDC-4FPX-6M-SS PBDC-4FPX-10M-SS	PBDC-4MFPX-1M-SS PBDC-4MFPX-2M-SS PBDC-4MFPX-4M-SS PBDC-4MFPX-6M-SS PBDC-4MFPX-10M-SS

Longer lead lengths are available, please consult the factory for part numbers.

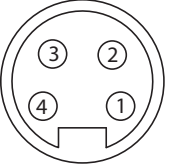
Specifications:

- Body: Black Flame Resistant PVC
- Contacts: Copper Alloy with Gold Plating
- Coupling Nut: Stainless Steel
- Cable: Orange PVC Jacket
18 AWG, Type A Cable, ITC-ER
- Conductors: 18/2 with Shield
- Temperature: -40°C to +105°C (-40°F to +221°F)
- Protection: IP 67
- Approvals: U.S.: UL Recognized; Canada: C-UL Recognized

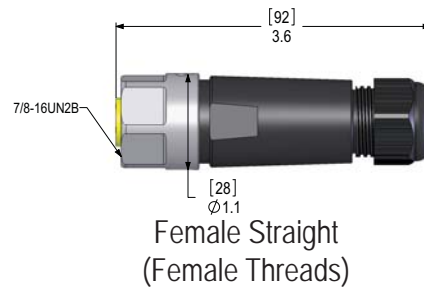
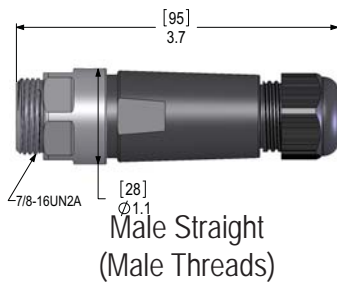


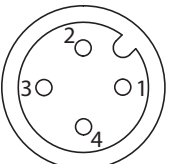
Profibus-PA Series Accessories

Field Wireable ❖ Male & Female ❖ MIN ❖ MDC

Profibus-PA MIN Field Wireable					
Face View of Male	# of Poles	Wire AWG Rating	Cable O.D. Range	Male Straight (Male Threads)	Female Straight (Female Threads)
	4	14-22 600V 15A MAX	5 - 13 mm 8 - 17 mm	PBIN-4MPM-FW-SS PBIN-4MPM-FWX-SS	PBIN-4FP-FW-SS PBIN-4FP-FWX-SS

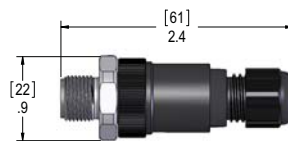
Connection via screw terminal. Voltage and amperage ratings are cable dependent and are based on 600V 14 AWG cable. Cables with lower voltage ratings and smaller conductors will lower these ratings.



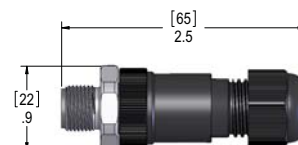
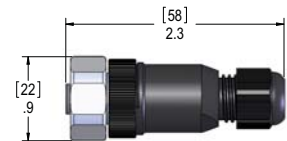
Profibus-PA MDC Field Wireable						
Face View of Male	# of Poles	Wire AWG Rating	PG Size	Cable O.D. Range	Male Straight (Male Threads)	Female Straight (Female Threads)
	4	18-24 250V 4A MAX	PG 7 PG 9 PG 11	3 - 6.5 mm 4 - 8 mm 8 - 10 mm	PBDC-4MP-FW07-SS PBDC-4MP-FW09-SS PBDC-4MP-FW11-SS	PBDC-4FP-FW07-SS PBDC-4FP-FW09-SS PBDC-4FP-FW11-SS

Specifications:

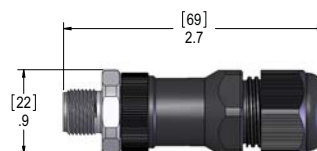
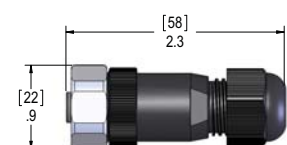
Body: Polyamide
 Contacts: Copper Alloy with Gold Plating
 O-Ring: BUNA-N
 Coupling Nut: Stainless Steel
 Insert: PVC
 Temperature: -40°C to +90°C (-40°F to +194°F)
 Protection: IP 67 MAX
 Approvals: UL Pending



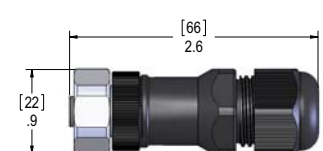
PG 7



PG 9



PG 11

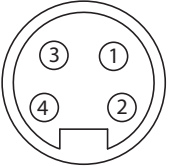
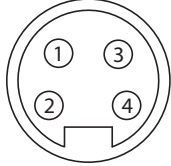
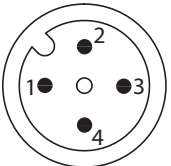
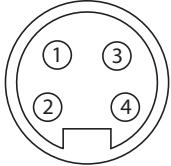


Male Straight (Male Threads)

Female Straight (Female Threads)

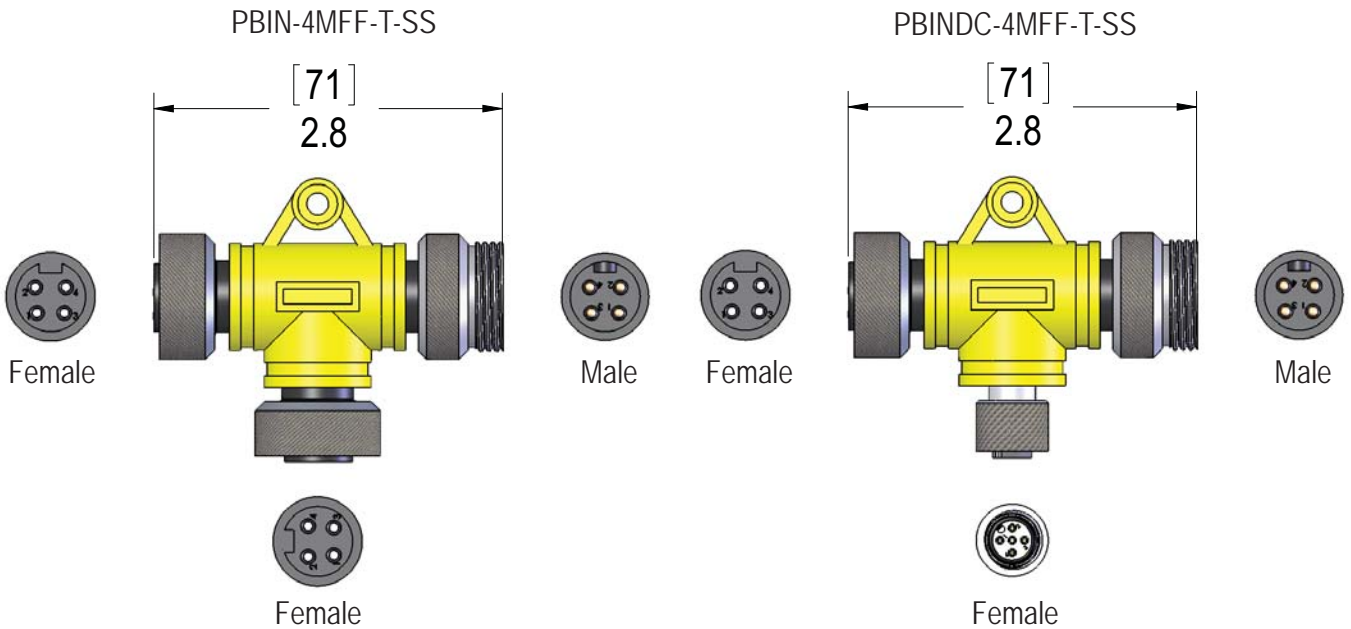
Profibus-PA Series Accessories

Male to Two Female "T" ❖ MIN ❖ MDC

Profibus-PA MIN Male to Two MIN Female "T"					
Face View of Female	# of Poles	Rating	Part Number	Wiring	Face View of Male
	4	300V 8A	PBIN-4MFF-T-SS	1 to 1 to 1 2 to 2 to 2 3 to 3 to 3 4 to 4 to 4	
Profibus-PA MIN Male to MIN & MDC Female "T"					
Face View of Female	# of Poles	Rating	Part Number	Wiring	Face View of Male
	4	300V 4A	PBINDC-4MFF-T-SS	1 to 1 to 1 2 to 2 to 2 3 to 3 to 3 4 to 4 to 4	

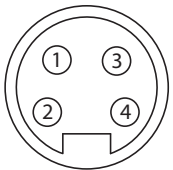
Specifications:

- Body: Oil Resistant Yellow PVC
- Contacts: Copper Alloy with Gold Plating
- Coupling Nut: Stainless Steel
- Temperature: -40°C to +105°C (-40°F to +221°F)
- Protection: IP 67
- Approvals: U.S.: UL Recognized
Canada: C-UL Recognized

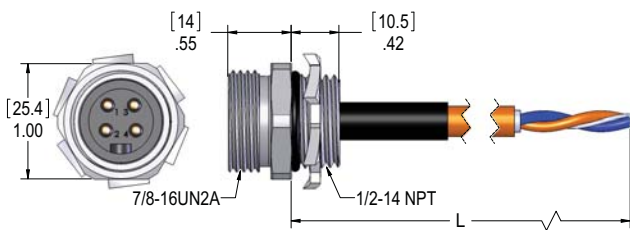


Profibus-PA Series Receptacles

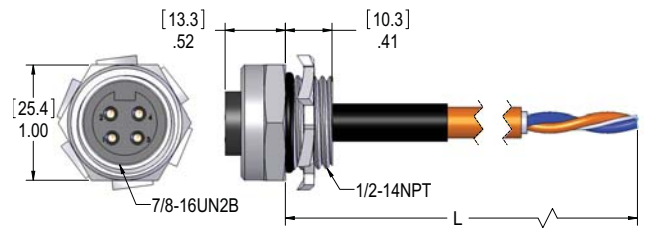
Male & Female Receptacles ❖ MIN ❖ MDC ❖ 1/2" - 14 NPT

Profibus-PA MIN Receptacles 1/2" - 14 NPT						
Face View of Male	# of Poles	Color Code	Wire AWG Rating	Length	Male Receptacles	Female Receptacles
	4	PIN #1 - (+) Orange PIN #2 - N/C PIN #3 - (-) Blue PIN #4 - Shield	18 300V 8A	0.3 M 1 M 2 M	PBIN-4MR-0.3M-SS PBIN-4MR-1M-SS PBIN-4MR-2M-SS	PBIN-4FR-0.3M-SS PBIN-4FR-1M-SS PBIN-4FR-2M-SS

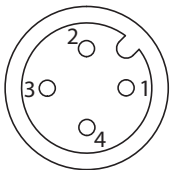
Longer lead lengths are available, please consult the factory for part numbers. Lock Nut and O-Ring are included.



Male Receptacle



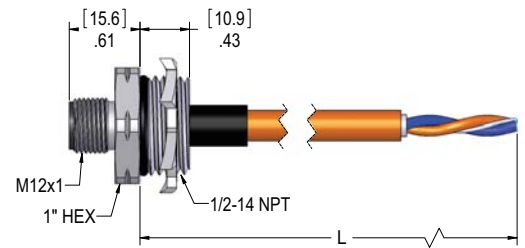
Female Receptacle

Profibus-PA MDC Receptacles 1/2" - 14 NPT						
Face View of Male	# of Poles	Color Code	Wire AWG Rating	Length	Male Receptacles	Female Receptacles
	4	PIN #1 - (+) Orange PIN #2 - N/C PIN #3 - (-) Blue PIN #4 - Shield	18 300V 4A	0.3 M 1 M 2 M	PBDC-4MR-2-0.3M-SS PBDC-4MR-2-1M-SS PBDC-4MR-2-2M-SS	PBDC-4FR-2-0.3M-SS PBDC-4FR-2-1M-SS PBDC-4FR-2-2M-SS

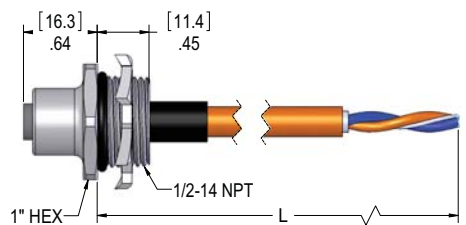
Longer lead lengths are available, please consult the factory for part numbers. Lock Nut and O-Ring are included.

Specifications:

- Shell: Stainless Steel
- Insulator: PBIN: 105°C, Oil Resistant Yellow PVC
PBDC: Polyamide
- Cable: 18/2 Cable with Shield and Orange Jacket
- Contacts: Copper Alloy with Gold Plating
- Temperature: -40°C to 105°C (-40°F to +221°F)
- Protection: IP 67
- Approvals: U.S.: UL Recognized
Canada: C-UL Recognized



Male Receptacle



Female Receptacle

Profibus-PA Series

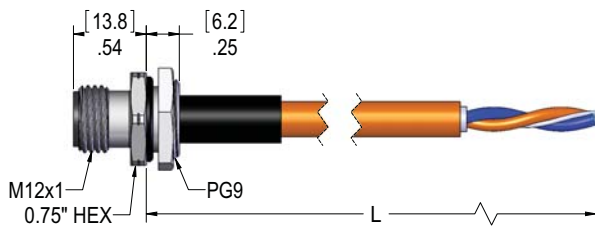


Profibus-PA Series Receptacles

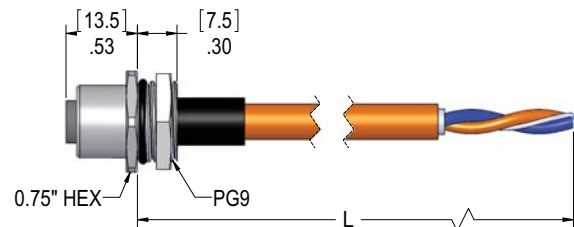
Male & Female Receptacles ❖ MDC ❖ PG Threads ❖ Metric Threads

Profibus-PA MDC Receptacles PG 9 Threads						
Face View of Male	# of Poles	Color Code	Wire AWG Rating	Length	Male Receptacle	Female Receptacle
	4	PIN #1 - (+) Orange PIN #2 - N/C PIN #3 - (-) Blue PIN #4 - Shield	18 300V 4A	0.3 M 1 M 2 M	PBDC-4MR-PG9-0.3M-SS PBDC-4MR-PG9-1M-SS PBDC-4MR-PG9-2M-SS	PBDC-4FR-PG9-0.3M-SS PBDC-4FR-PG9-1M-SS PBDC-4FR-PG9-2M-SS

Longer lead lengths are available, please consult the factory for part numbers.



Male Receptacle



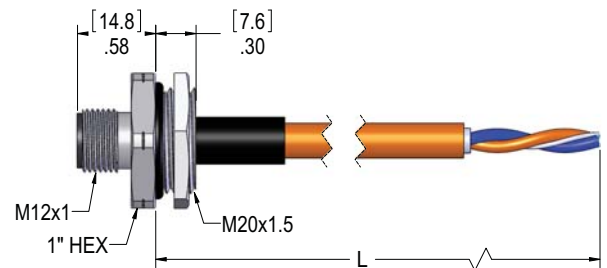
Female Receptacle

Profibus-PA MDC Receptacles Metric Threads						
Face View of Male	# of Poles	Color Code	Wire AWG Rating	Length	Male Receptacle	Female Receptacle
	4	PIN #1 - (+) Orange PIN #2 - N/C PIN #3 - (-) Blue PIN #4 - Shield	18 300V 4A	0.3 M 1 M 2 M	PBDC-4MR-M20-0.3M PBDC-4MR-M20-1M PBDC-4MR-M20-2M	PBDC-4FR-M20-0.3M PBDC-4FR-M20-1M PBDC-4FR-M20-2M

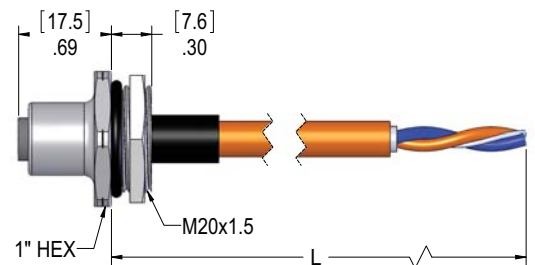
Longer lead lengths are available, please consult the factory for part numbers.

Specifications:

- Shell: PG 9 Stainless Steel
M20 x 1.5: Clear Anodized Aluminum
- Insulator: Polyamide
- Cable: 18/2 Cable with Shield and Orange Jacket
- Contacts: Copper Alloy with Gold Plating
- O-Ring: BUNA-N
- Temperature: -40°C to 105°C (-40°F to +221°F)
- Protection: IP 67
- Approvals: U.S.: UL Recognized
Canada: C-UL Recognized



Male Receptacle



Female Receptacle

Profibus-PA Series Accessories

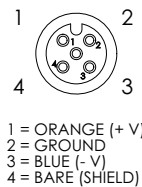
Conduit Adapters ❖ MIN ❖ MDC ❖ 1 Port

Conduit Adapters				
Face Views	# of Poles	Rating	Part Number	Top View
	4	40V 4A	PBIN-1-4FR-CA	
	4	40V 4A	PBDC-1-4FR-CA	

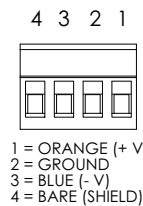
Specifications:

Housing: Glass Filled PBT
 Recp. Shell: Nickel Plated Brass
 Insert: Polyamide
 Contacts: Copper Alloy with Gold Plating
 Gasket: NBR
 Temperature: -40°C to +70°C (-40°F to +158°F)
 Protection: IP 65

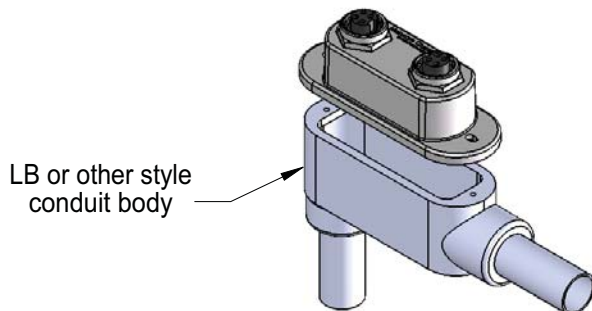
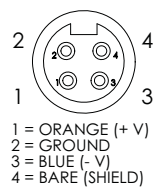
PBDC Face View



Pluggable Terminal Block

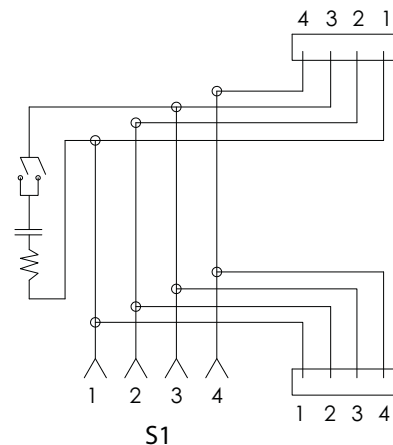


PBIN Face View



Remove existing Conduit Body cover and replace with Mencom Conduit Adapter.

Works with all standard 3/4" NPT conduit bodies, including Form 8 and Mark 9 adapters. (screws are included with adapter)



Profibus-PA Series Accessories

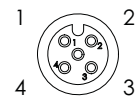
Conduit Adapters ❖ MIN ❖ MDC ❖ 2 Port

Conduit Adapters				
Face Views	# of Poles	Rating	Part Number	Top View
	4	40V 4A	PBIN-2-4FR-CA	
	4	40V 4A	PBDC-2-4FR-CA	

Specifications:

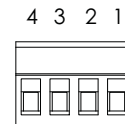
Housing: Glass Filled PBT
 Recp. Shell: Nickel Plated Brass
 Insert: Polyamide
 Contacts: Copper Alloy with Gold Plating
 Gasket: NBR
 Temperature: -40°C to +70°C (-40°F to +158°F)
 Protection: IP 65

PBDC Face View



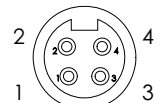
1 = ORANGE (+ V)
 2 = GROUND
 3 = BLUE (- V)
 4 = BARE (SHIELD)

Pluggable Terminal Block

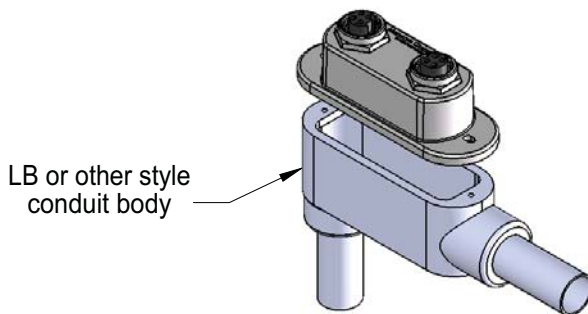


1 = ORANGE (+ V)
 2 = GROUND
 3 = BLUE (- V)
 4 = BARE (SHIELD)

PBIN Face View

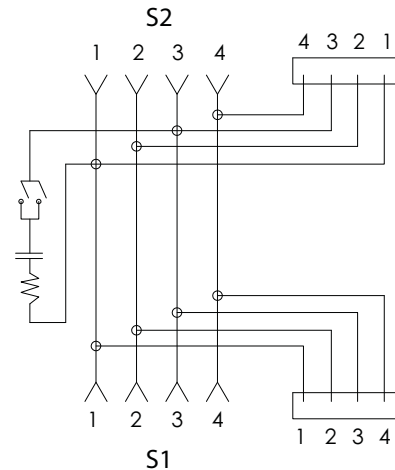


1 = ORANGE (+ V)
 2 = GROUND
 3 = BLUE (- V)
 4 = BARE (SHIELD)



Remove existing Conduit Body cover and replace with Mencom Conduit Adapter.

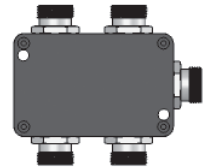
Works with all standard 3/4" NPT conduit bodies, including Form 8 and Mark 9 adapters. (screws are included with adapter)



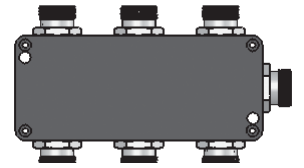


JIN Junction Blocks MIN Series

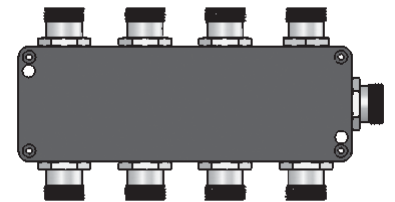
4 Port 2-4, 9, 12



6 Port 5-6, 10



8 Port 7-8, 11

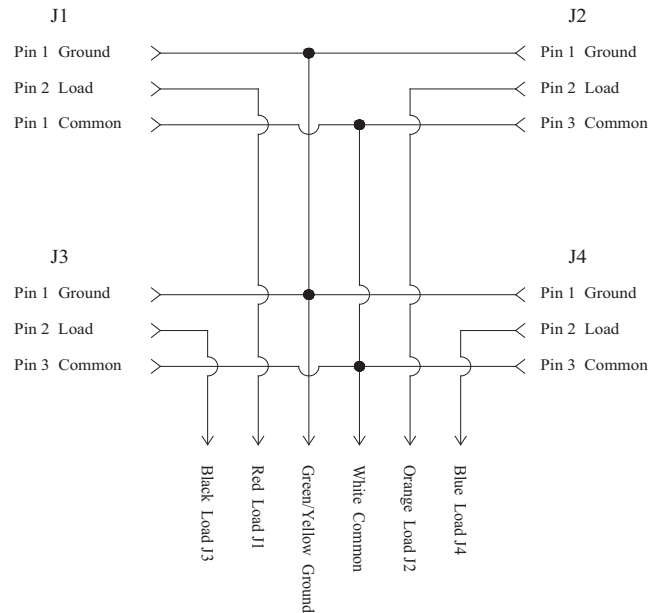
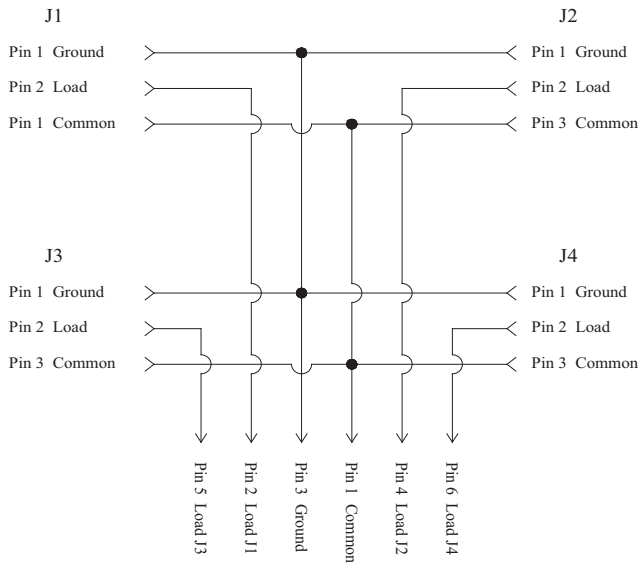


Accessories 13

JIN Junction Blocks

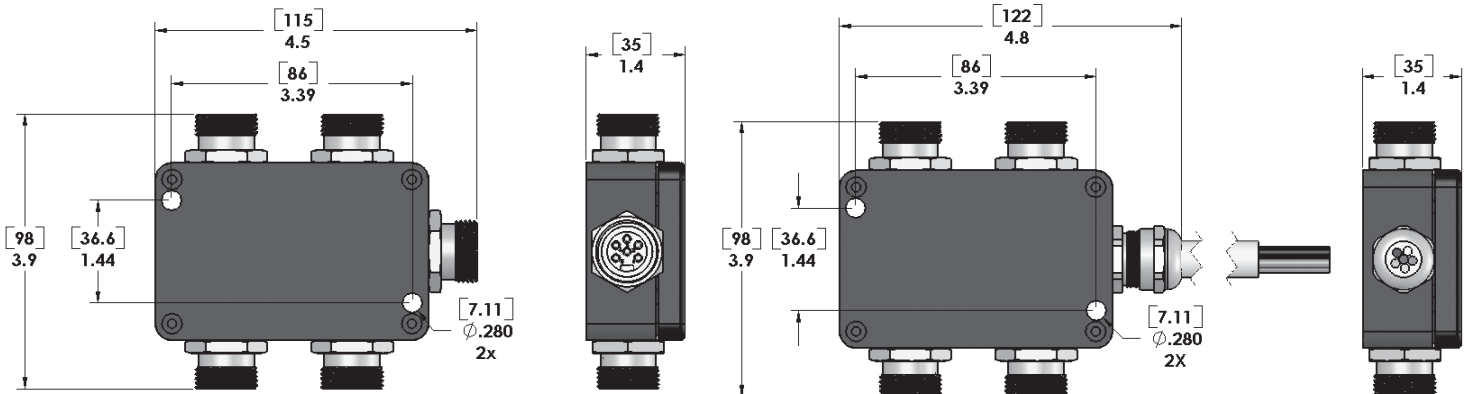
JIN Junction Blocks 4 Port ❖ 3 Pin

Standard Wiring ❖ MIN Receptacle ❖ Cable



MIN Receptacle

Cable

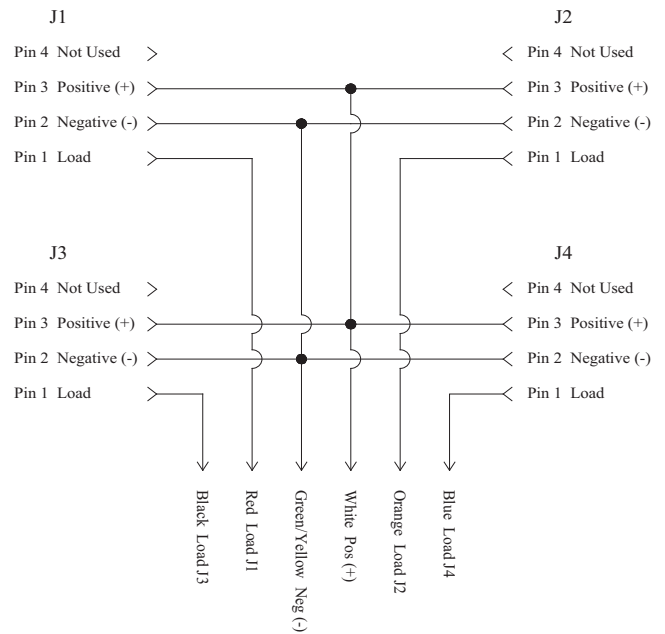
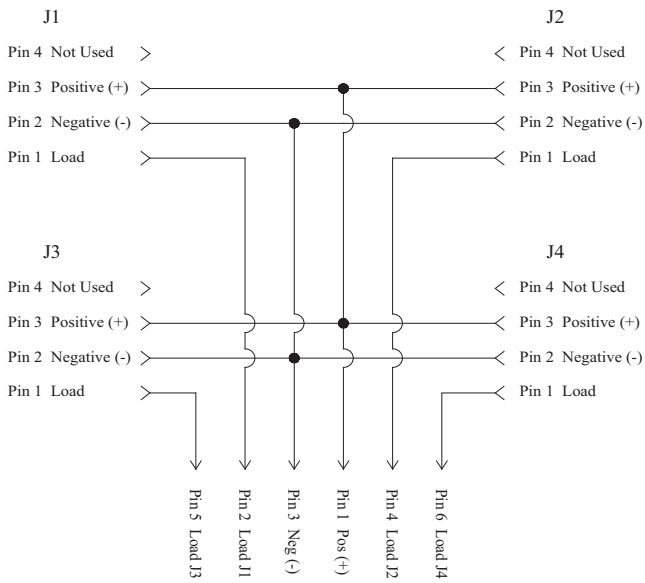


Trunk Connection	Cable Length	Part Number
MIN Receptacle	N/A	JIN-430-006-M000
Cable	3 M	JIN-430-006-C030
	6 M	JIN-430-006-C060
	10 M	JIN-430-006-C100

For Home Run Cables and Specifications please see page Q-13.

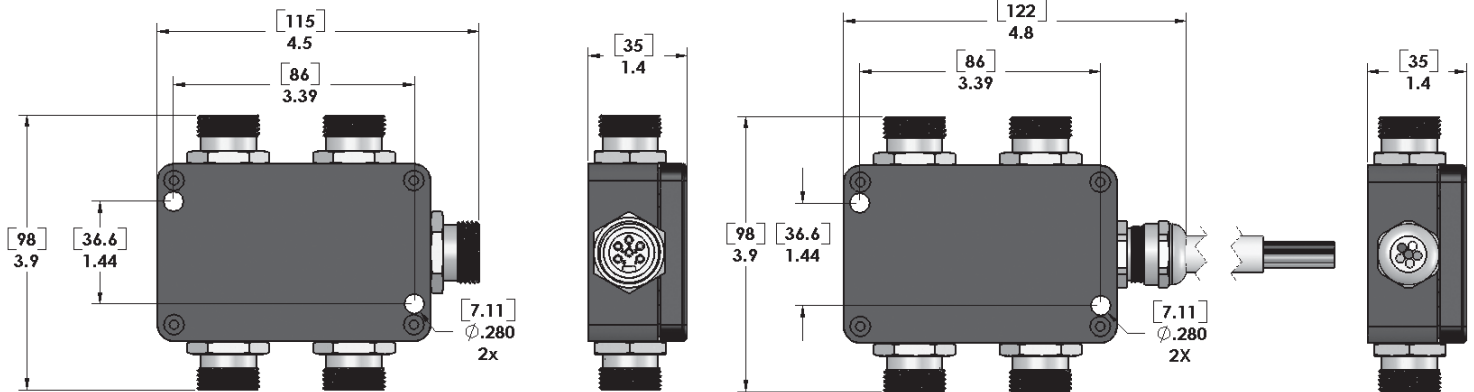
JIN Junction Blocks 4 Port ❖ 4 Pin/3 Wire

Standard Wiring ❖ MIN Receptacle ❖ Cable



MIN Receptacle

Cable



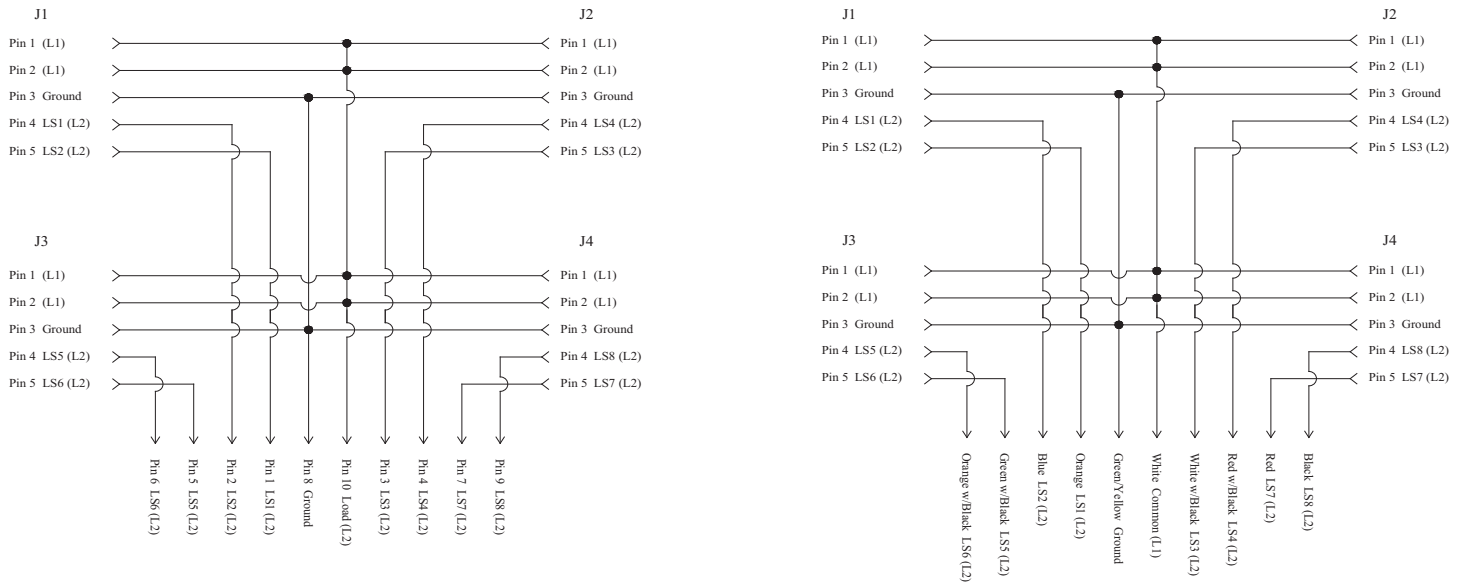
Trunk Connection	Cable Length	Part Number
MIN Receptacle	N/A	JIN-440-006-M000
Cable	3 M	JIN-440-006-C030
	6 M	JIN-440-006-C060
	10 M	JIN-440-006-C100

For Home Run Cables and Specifications please see page Q-13.

JIN Junction Blocks

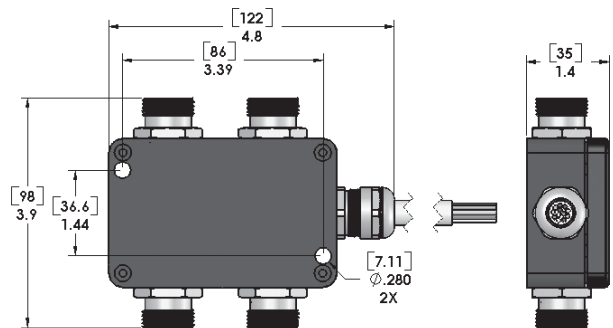
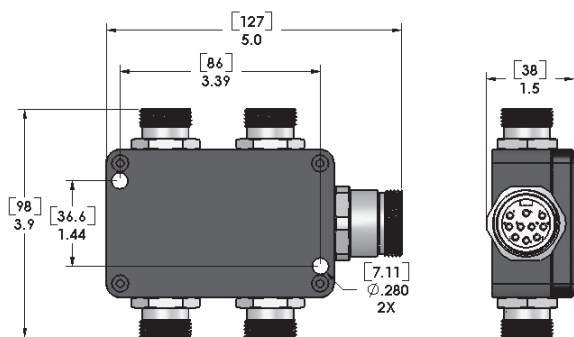
JIN Junction Blocks 4 Port ❖ 5 Pin

Standard Wiring ❖ MIN Receptacle ❖ Cable



MIN Receptacle

Cable

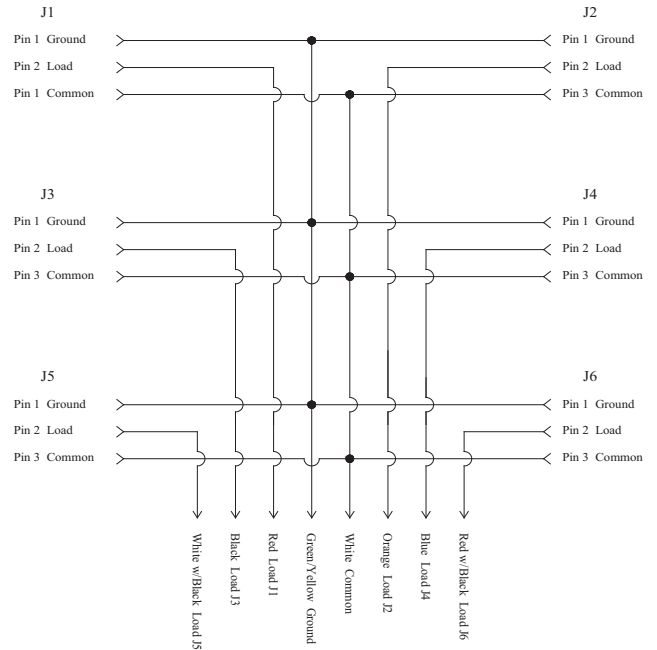
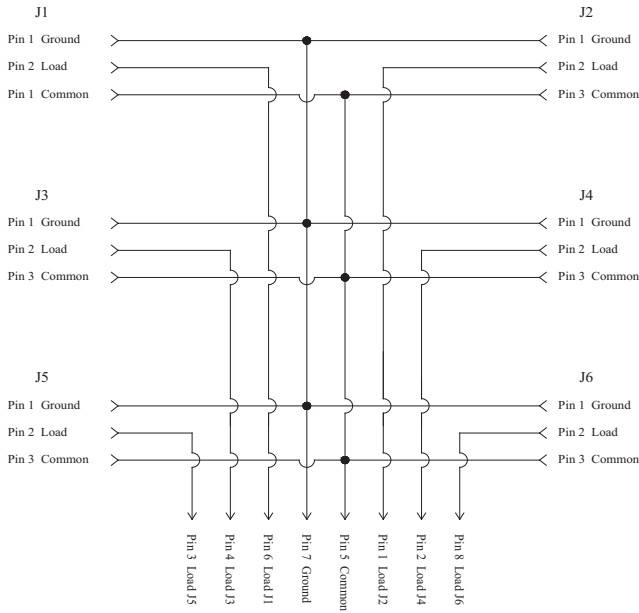


Trunk Connection	Cable Length	Part Number
MIN Receptacle	N/A	JIN-450-010-M000
Cable	3 M	JIN-450-010-C030
	6 M	JIN-450-010-C060
	10 M	JIN-450-010-C100

For Home Run Cables and Specifications please see page Q-13.

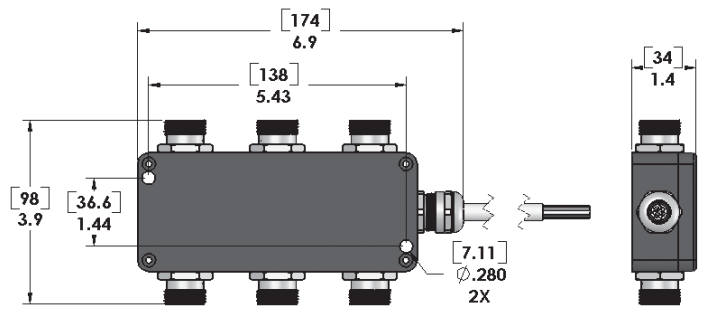
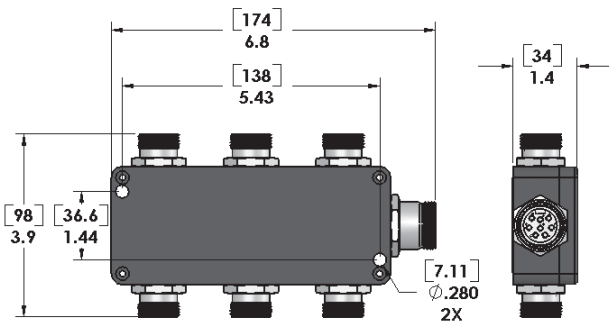
JIN Junction Blocks 6 Port ❖ 3 Pin

Standard Wiring ❖ MIN Receptacle ❖ Cable



MIN Receptacle

Cable



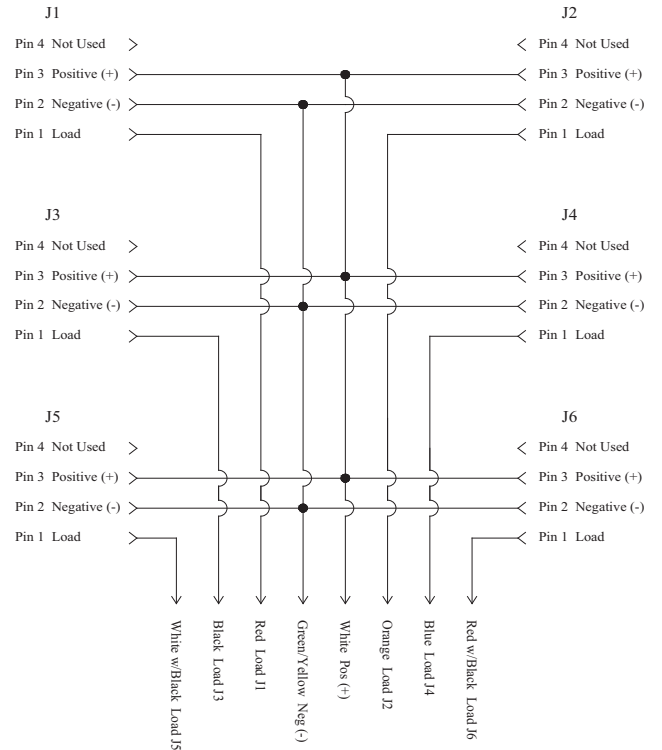
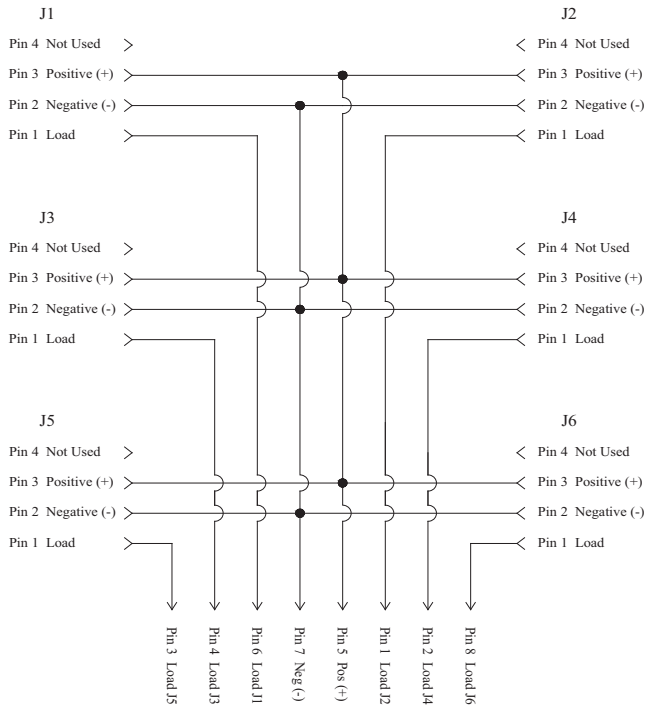
Trunk Connection	Cable Length	Part Number
MIN Receptacle	N/A	JIN-630-008-M000
Cable	3 M	JIN-630-008-C030
	6 M	JIN-630-008-C060
	10 M	JIN-630-008-C100

For Home Run Cables and Specifications please see page Q-13.

JIN Junction Blocks

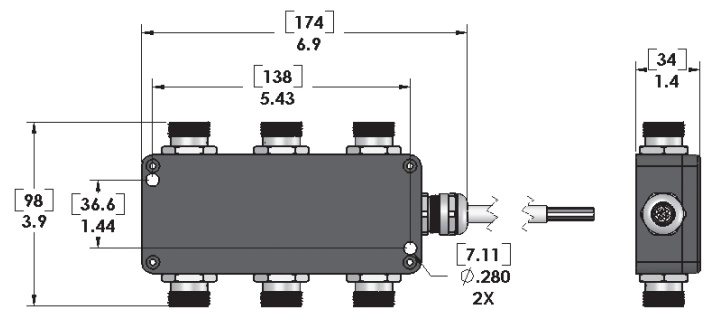
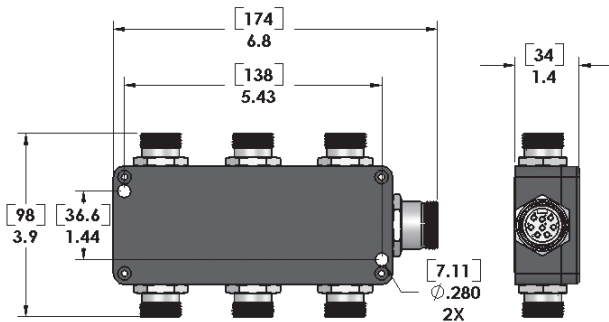
JIN Junction Blocks 6 Port ❖ 4 Pin

Standard Wiring ❖ MIN Receptacle ❖ Cable



MIN Receptacle

Cable

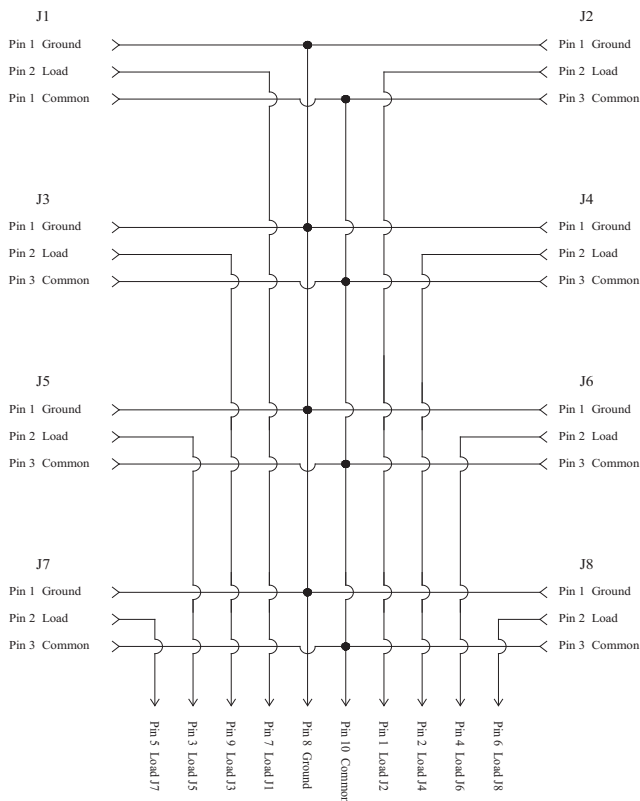


Trunk Connection	Cable Length	Part Number
MIN Receptacle	N/A	JIN-640-008-M000
Cable	3 M	JIN-640-008-C030
	6 M	JIN-640-008-C060
	10 M	JIN-640-008-C100

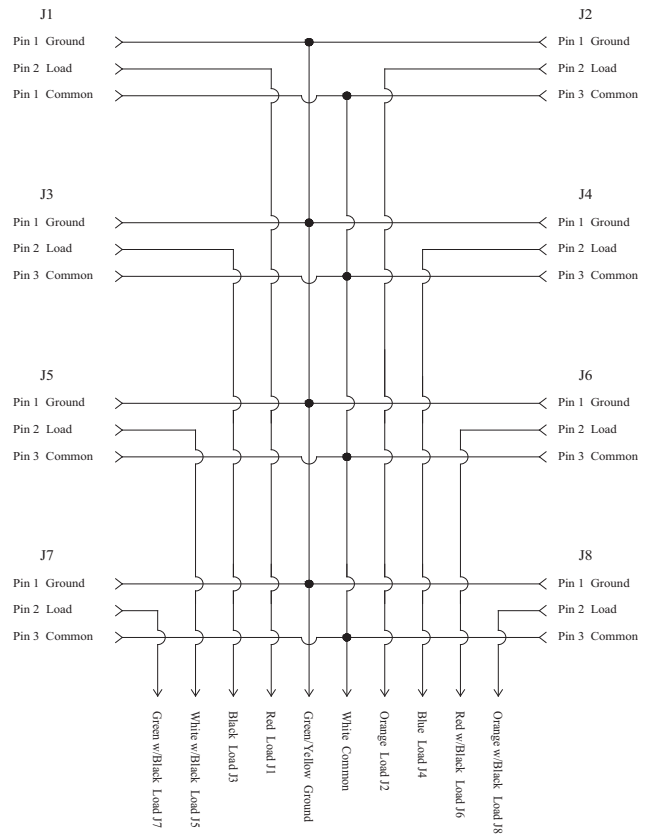
For Home Run Cables and Specifications please see page Q-13.

JIN Junction Blocks 8 Port ❖ 3 Pin

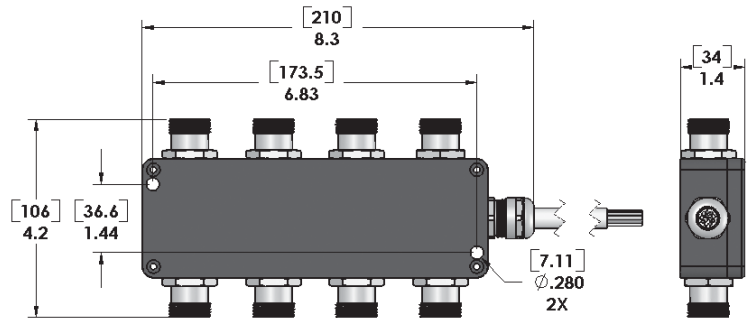
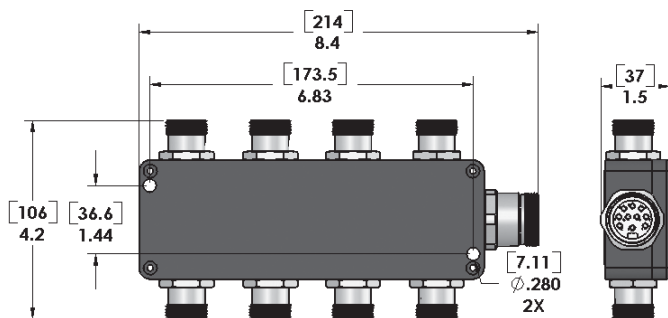
Standard Wiring ❖ MIN Receptacle ❖ Cable



MIN Receptacle



Cable



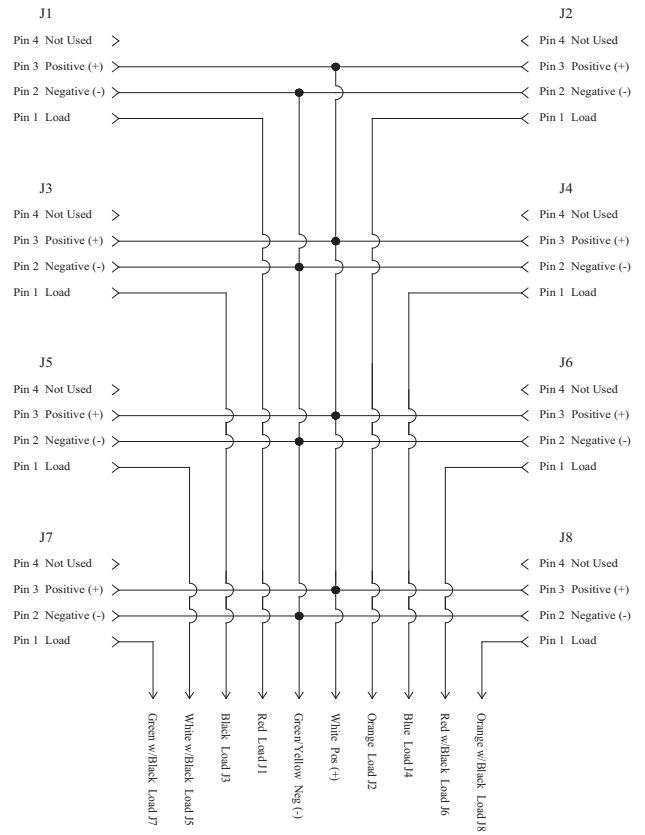
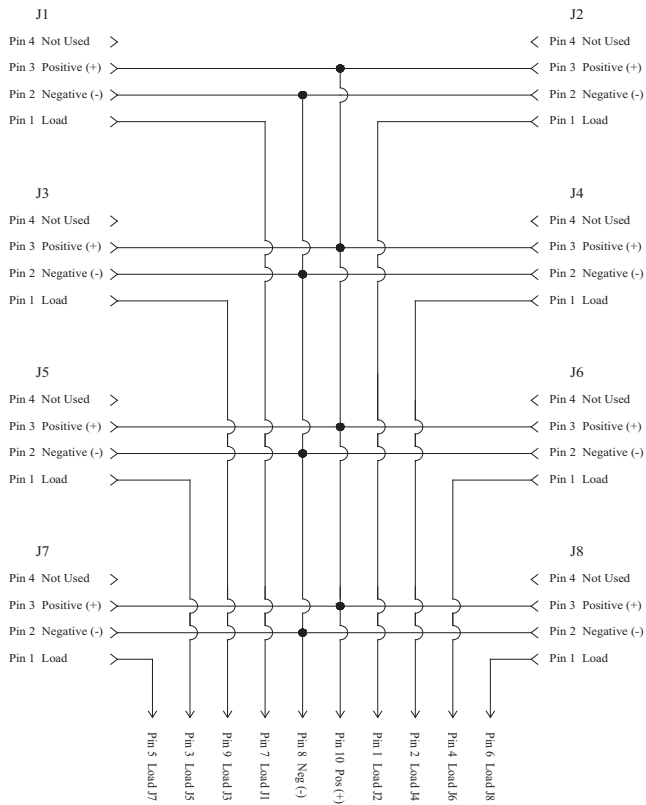
Trunk Connection	Cable Length	Part Number
MIN Receptacle	N/A	JIN-830-010-M000
Cable	3 M	JIN-830-010-C030
	6 M	JIN-830-010-C060
	10 M	JIN-830-010-C100

For Home Run Cables and Specifications please see page Q-13.

JIN Junction Blocks

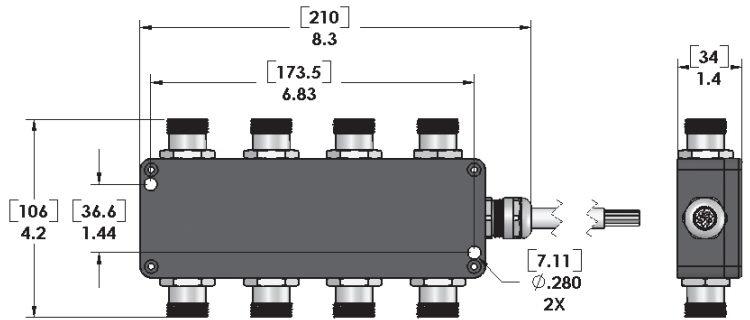
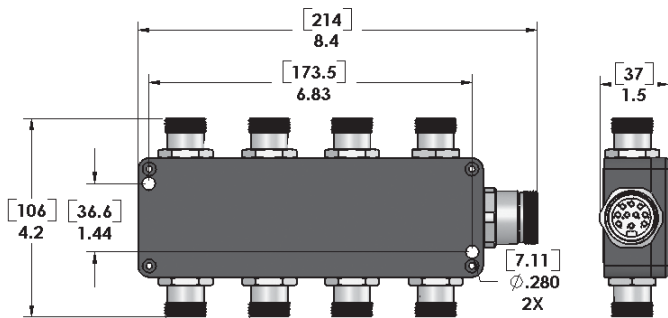
JIN Junction Blocks 8 Port ❖ 4 Pin

Standard Wiring ❖ MIN Receptacle ❖ Cable



MIN Receptacle

Cable

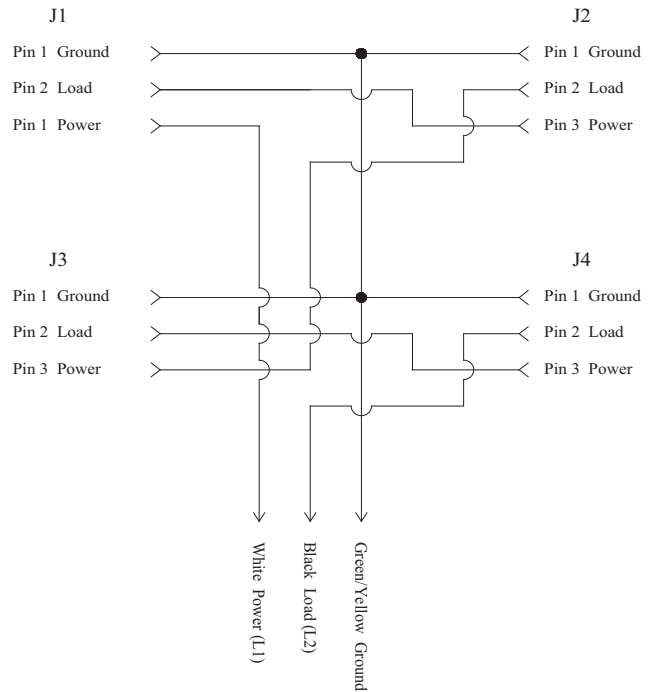
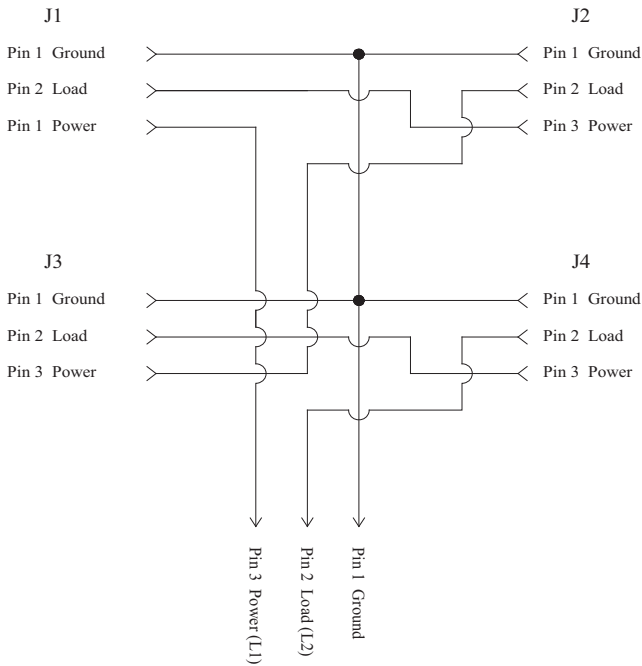


Trunk Connection	Cable Length	Part Number
MIN Receptacle	N/A	JIN-840-010-M000
Cable	3 M	JIN-840-010-C030
	6 M	JIN-840-010-C060
	10 M	JIN-840-010-C100

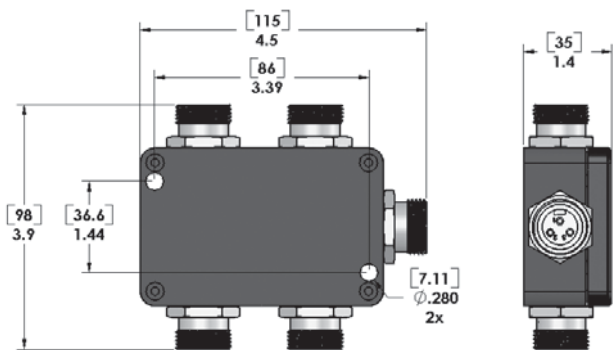
For Home Run Cables and Specifications please see page Q-13.

JIN Junction Blocks 4 Port ❖ 3 Pin

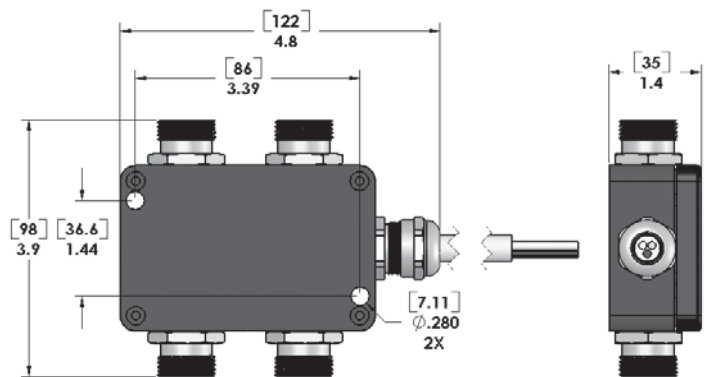
Series Wiring ❖ MIN Receptacle ❖ Cable



MIN Receptacle

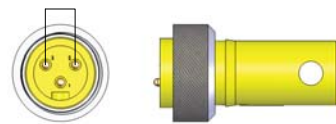


Cable



Trunk Connection	Cable Length	Part Number
MIN Receptacle	N/A	JIN-430-003-M000
Cable	3 M	JIN-430-003-C030
	6 M	JIN-430-003-C060
	10 M	JIN-430-003-C100

Internal jumper
Pin #2 to Pin #3



Jumper plug for use on unused inputs

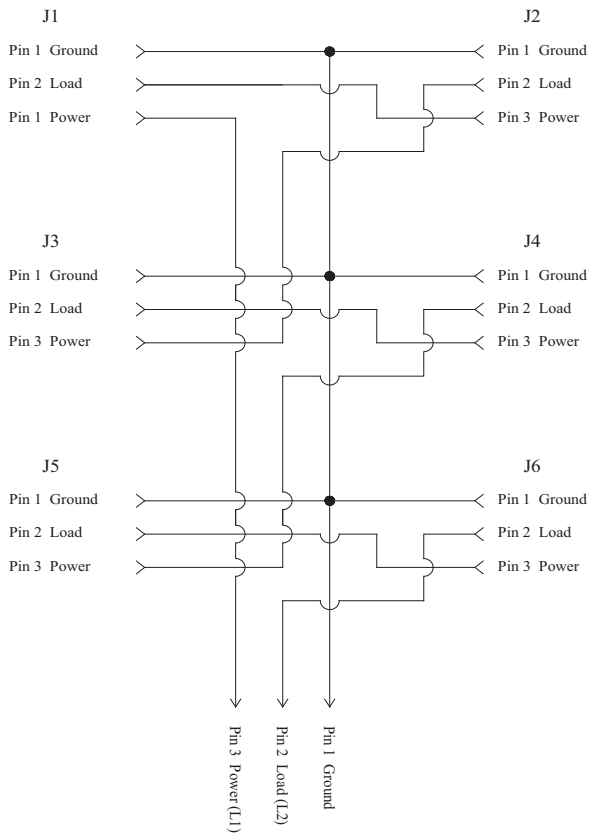
For Home Run Cables and Specifications please see page Q-13.

Jumper Plug Part # MIN-3MP-DP1

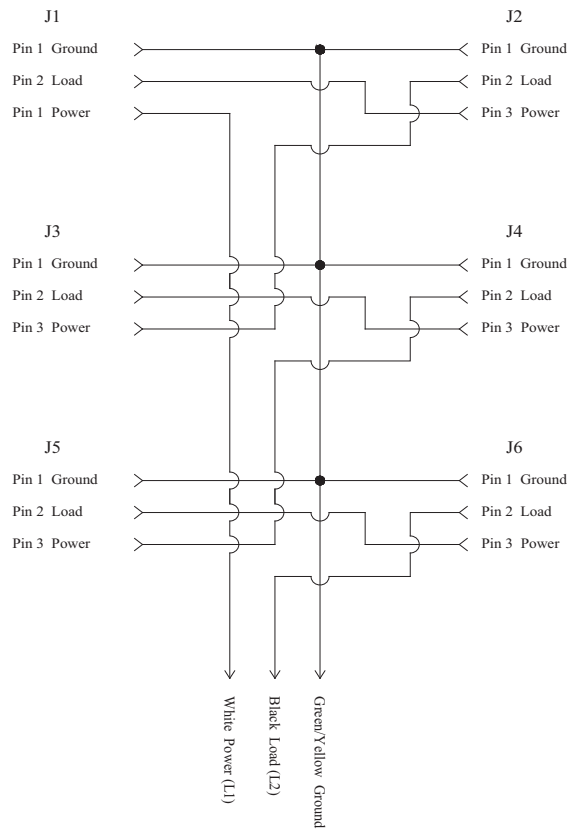
JIN Junction Blocks

JIN Junction Blocks 6 Port ❖ 3 Pin

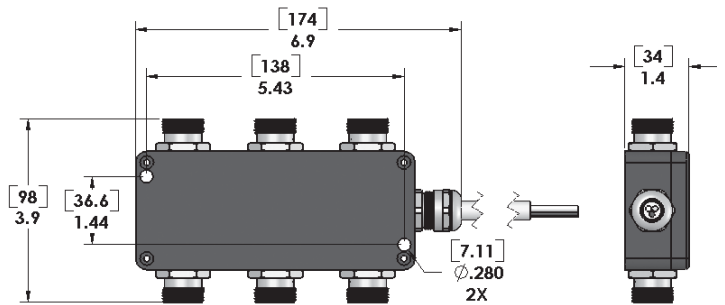
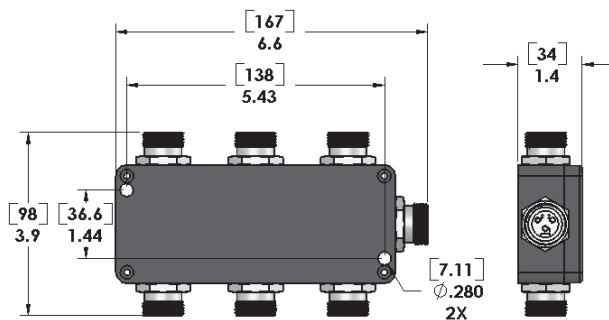
Series Wiring ❖ MIN Receptacle ❖ Cable



MIN Receptacle

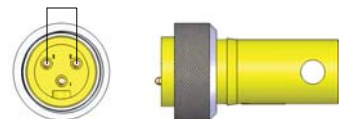


Cable



Trunk Connection	Cable Length	Part Number
MIN Receptacle	N/A	JIN-630-003-M000
Cable	3 M	JIN-630-003-C030
	6 M	JIN-630-003-C060
	10 M	JIN-630-003-C100

Internal jumper
Pin #2 to Pin #3

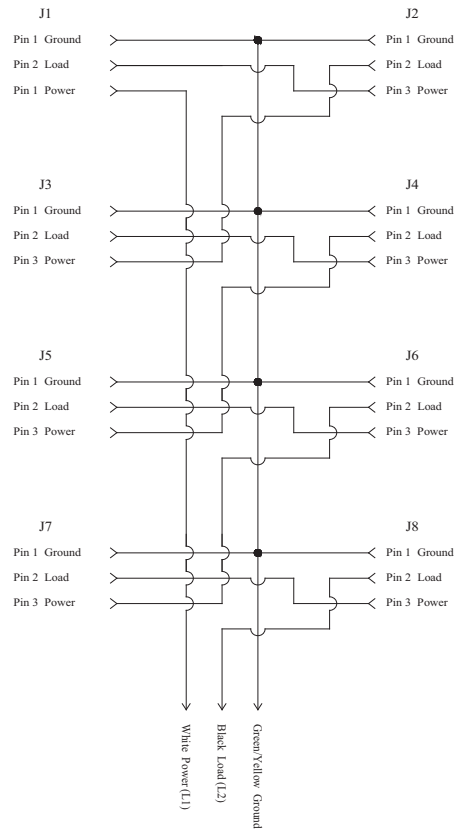
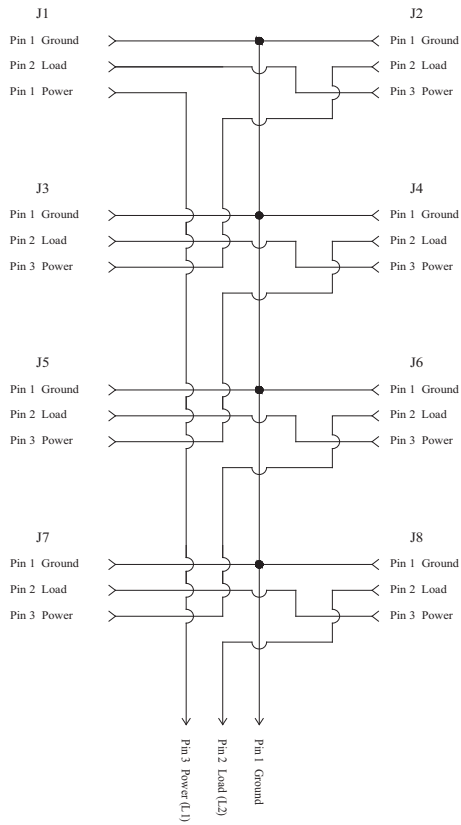


Jumper plug for use on unused inputs

For Home Run Cables and Specifications please see page Q-13.

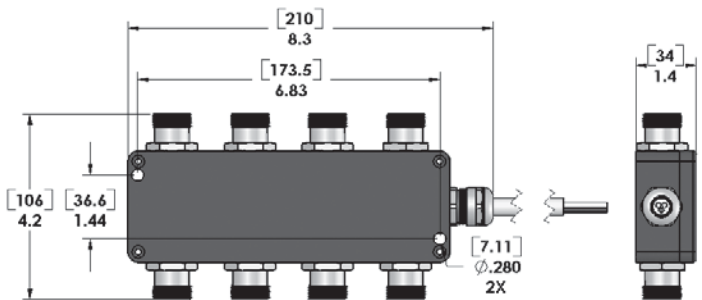
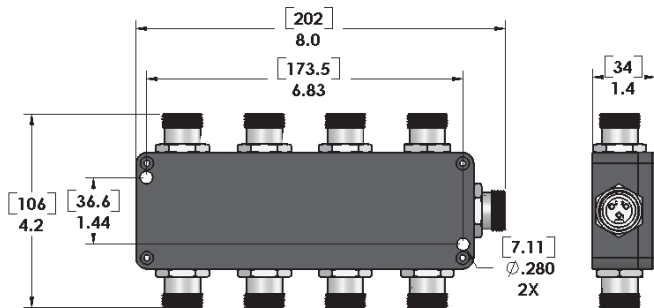
JIN Junction Blocks 8 Port ❖ 3 Pin

Series Wiring ❖ MIN Receptacle ❖ Cable



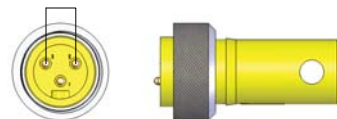
MIN Receptacle

Cable



Trunk Connection	Cable Length	Part Number
MIN Receptacle	N/A	JIN-830-003-M000
Cable	3 M	JIN-830-003-C030
	6 M	JIN-830-003-C060
	10 M	JIN-830-003-C100

Internal jumper
Pin #2 to Pin #3



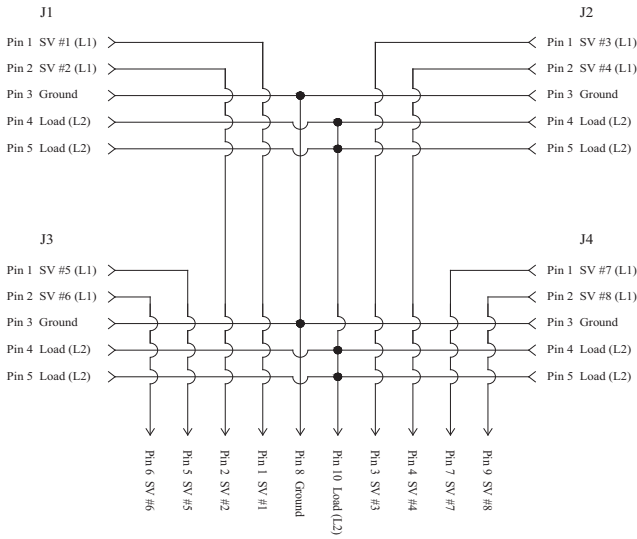
Jumper plug for use on unused inputs

For Home Run Cables and Specifications please see page Q-13.

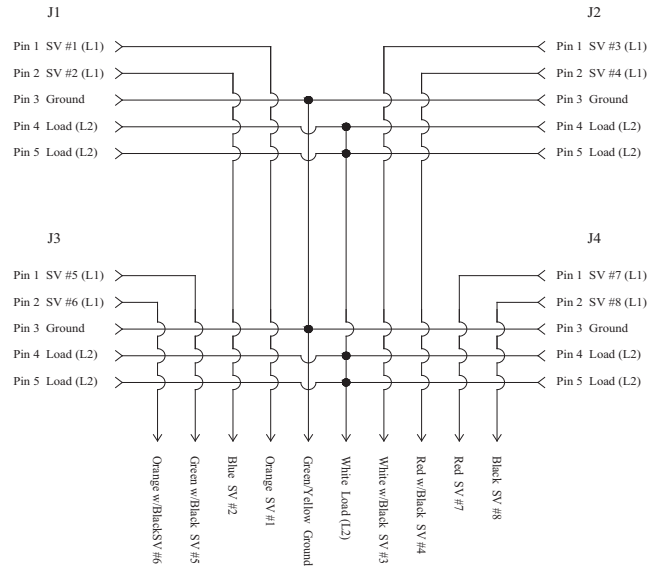
JIN Junction Blocks

JIN Junction Blocks 4 Port ❖ 5 Pin

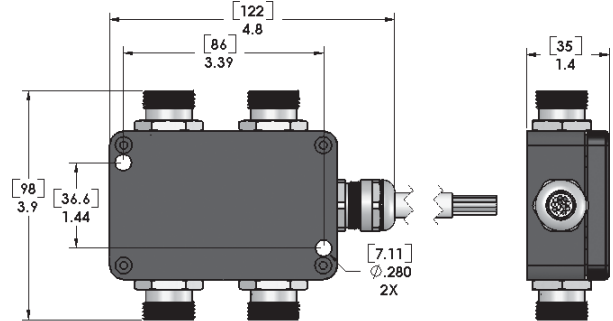
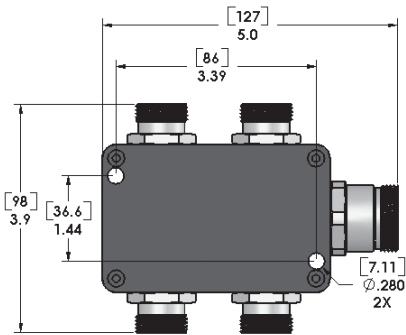
Solenenoid Valve Wiring ❖ MIN Receptacle ❖ Cable



MIN Receptacle



Cable



Trunk Connection	Cable Length	Part Number
MIN Receptacle	N/A	JIN-450-V10-M000
Cable	3 M	JIN-450-V10-C030
	6 M	JIN-450-V10-C060
	10 M	JIN-450-V10-C100

For Home Run Cables and Specifications please see page Q-13.

JIN Junction Blocks Accessories

Female Home Run Cable ❖ Extension Cables ❖ Female Receptacles

JIN Box Type	Single Ended Home Run Cable		Double Ended Home Run Cable		Female Receptacle	
JIN-430-006-M000	MIN-6FP-ZZ	Page Q-1	MIN-6MFP-ZZ	Page A-7	MIN-6FR1	Page B-2
JIN-440-006-M000	MIN-6FP-ZZ	Page Q-2	MIN-6MFP-ZZ	Page A-7	MIN-6FR1	Page B-2
JIN-450-010-M000	MIN-10FPX-ZZ	Page Q-3	MIN-10MFPX-ZZ	Page D-5	MIN-10FR-1-18	Page D-10
JIN-630-008-M000	MIN-8FPX-ZZ	Page Q-4	MIN-8MFPX-ZZ	Page C-4	MIN-8FR2-1-18	Page C-8
JIN-640-008-M000	MIN-8FPX-ZZ	Page Q-5	MIN-8MFPX-ZZ	Page C-4	MIN-8FR2-1-18	Page C-8
JIN-830-010-M000	MIN-10FPX-ZZ	Page Q-6	MIN-10MFPX-ZZ	Page D-5	MIN-10FR-1-18	Page D-10
JIN-840-010-M000	MIN-10FPX-ZZ	Page Q-7	MIN-10MFPX-ZZ	Page D-5	MIN-10FR-1-18	Page D-10
JIN-430-003-M000	MIN-3FP-ZZ	Page Q-8	MIN-3MFP-ZZ	Page A-7	MIN-3FR-1	Page B-2
JIN-630-003-M000	MIN-3FP-ZZ	Page Q-9	MIN-3MFP-ZZ	Page A-7	MIN-3FR-1	Page B-2
JIN-830-003-M000	MIN-3FP-ZZ	Page Q-10	MIN-3MFP-ZZ	Page A-7	MIN-3FR-1	Page B-2
JIN-450-V10-M000	MIN-10FPX-ZZ	Page Q-11	MIN-10MFPX-ZZ	Page D-5	MIN-10FR-1-18	Page D-10

Specifications:

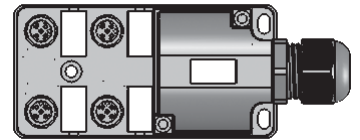
Housing: Black Epoxy Coated Die Cast Aluminum Alloy
 Connectors: Anodized Aluminum, Oil Resistant PVC Contact Carrier
 Cable Gland: Nickel Plated Brass, Polyamide and TPE Inserts
 Contacts: Copper Alloy with Gold Plating
 Cable: 16/3 STO 600V Yellow 0.38" dia.
 18/6 AWM 2661 300V, Yellow 0.32" dia.
 18/8 AWM 2661 300V, Yellow 0.35" dia.
 18/10 AWM 2661 300V, Yellow 0.40" dia.
 Temperature: -30°C to +80°C (-22°F to +176°F)
 Protection: IP67
 Amperage: 4A per Port, 8A per Unit



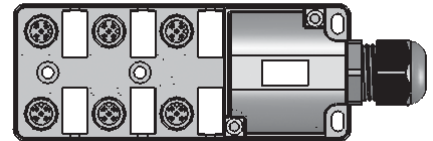


JDC Junction Blocks Micro-DC Series

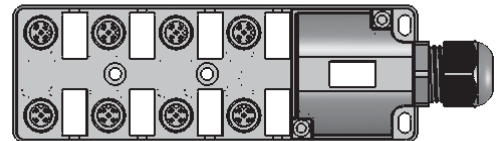
4 Port2-13



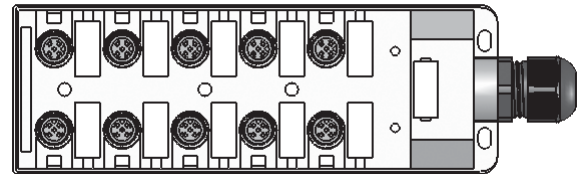
6 Port14-25



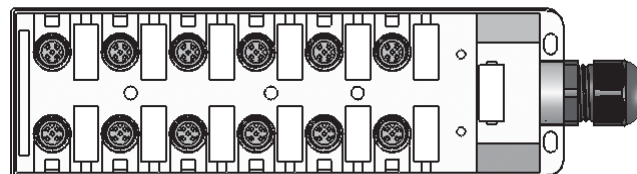
8 Port26-35



10 Port36-43



12 Port44-52

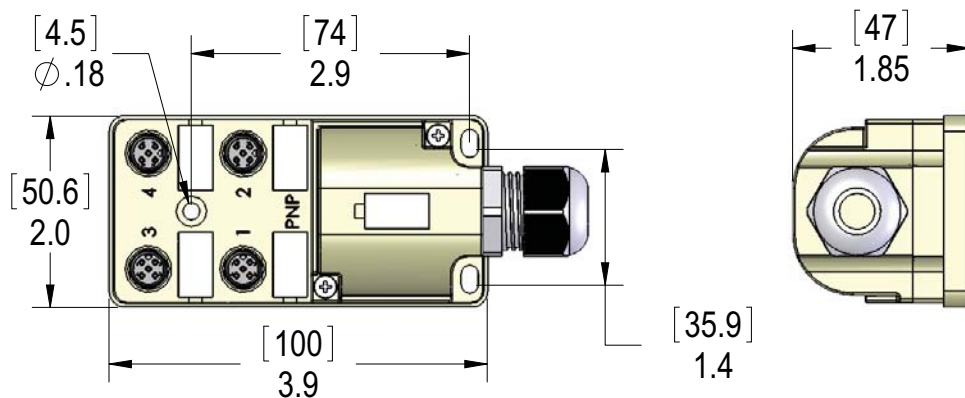


Specifications53

JDC Junction Blocks

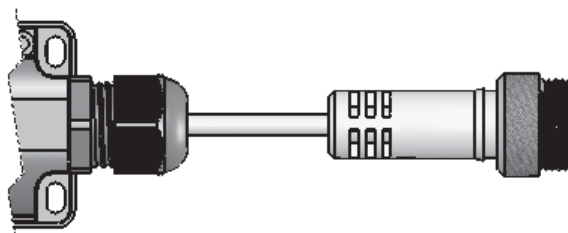
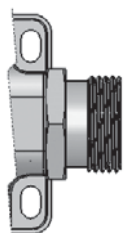
JDC Junction Blocks 4 Port ❖ 3 Pin

MIN Receptacle ❖ MIN Plug



MIN Receptacle

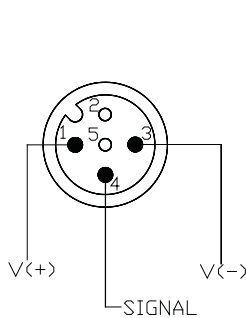
MIN Plug



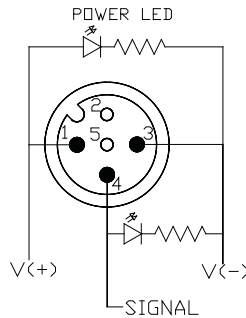
Trunk Connection	Length	Part Number		
		No LED	PNP	NPN
MIN Receptacle	N/A	JDC-430-006-M000	JDC-43P-206-M000	JDC-43N-206-M000
MIN Plug	0.3 M	JDC-430-006-M003	JDC-43P-206-M003	JDC-43N-206-M003

JDC Junction Blocks 4 Port ❖ 3 Pin

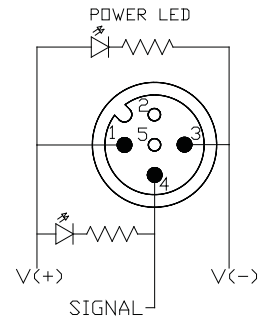
MIN Receptacle ❖ MIN Plug



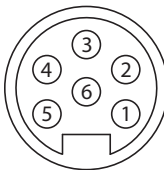
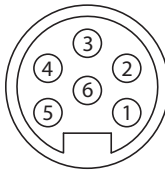
No LED Version



PNP Version

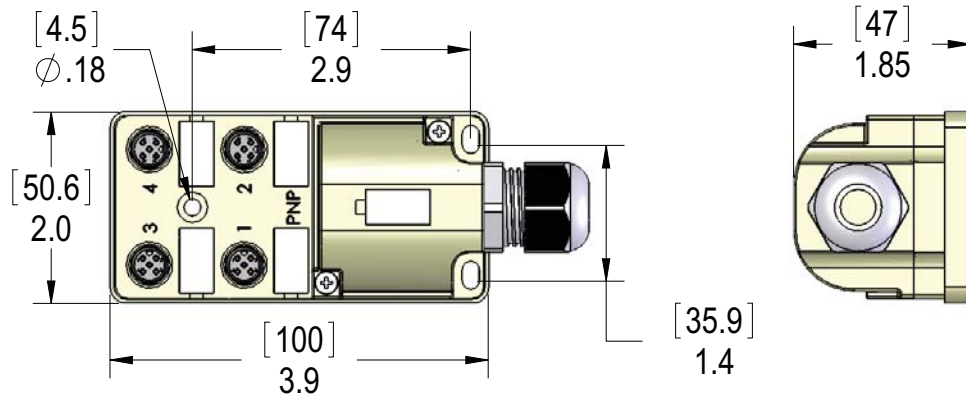


NPN Version

Function	MIN-6MR Receptacle Version	MIN-6MP Plug Version
		
+ V	PIN #6	PIN #6
- V	PIN #3	PIN #3
PORT 1 PIN 4	PIN #2	PIN #2
PORT 2 PIN 4	PIN #1	PIN #1
PORT 3 PIN 4	PIN #5	PIN #5
PORT 4 PIN 4	PIN #4	PIN #4
Mating Plug for Receptacle or Plug	MIN-6FP...	MIN-6FP...

JDC Junction Blocks 4 Port ❖ 4 Pin

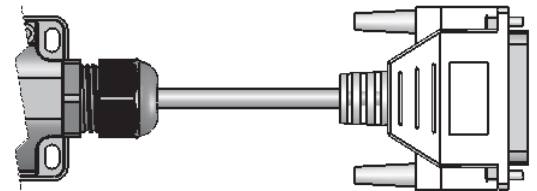
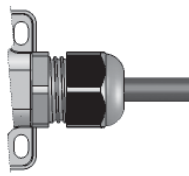
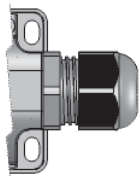
Field Wireable ❖ Cable ❖ D-Sub



Field Wireable

Cable

D-Sub

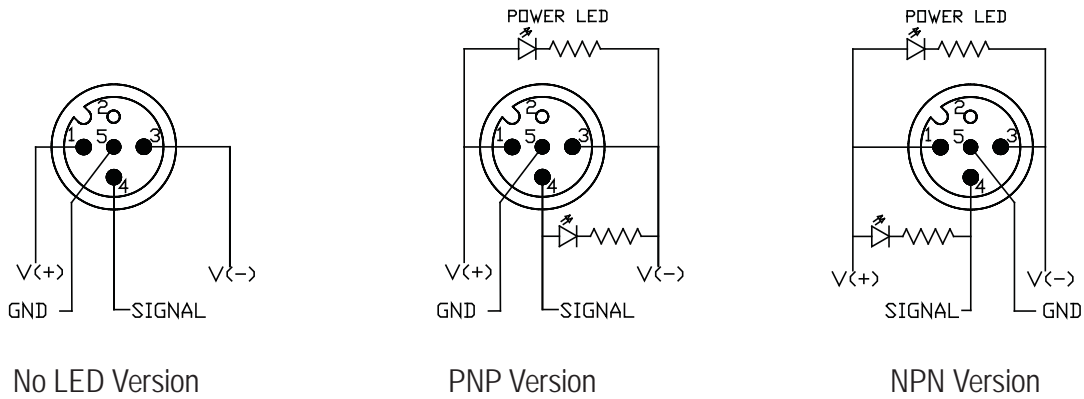


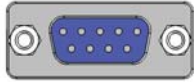
Trunk Connection	Length	Part Number		
		No LED	PNP	NPN
Field Wireable	N/A	JDC-440-007-F000	JDC-44P-207-F000	JDC-44N-207-F000
Cable	5 M	JDC-440-007-C050	JDC-44P-207-C050	JDC-44N-207-C050
	10 M	JDC-440-007-C100	JDC-44P-207-C100	JDC-44N-207-C100
9 PIN D-SUB	0.3 M	JDC-440-009-D003	JDC-44P-209-D003	JDC-44N-209-D003
	6 M	JDC-440-009-D060	JDC-44P-209-D060	JDC-44N-209-D060

Other cable lengths are available, please consult the factory.

JDC Junction Blocks 4 Port ❖ 4 Pin

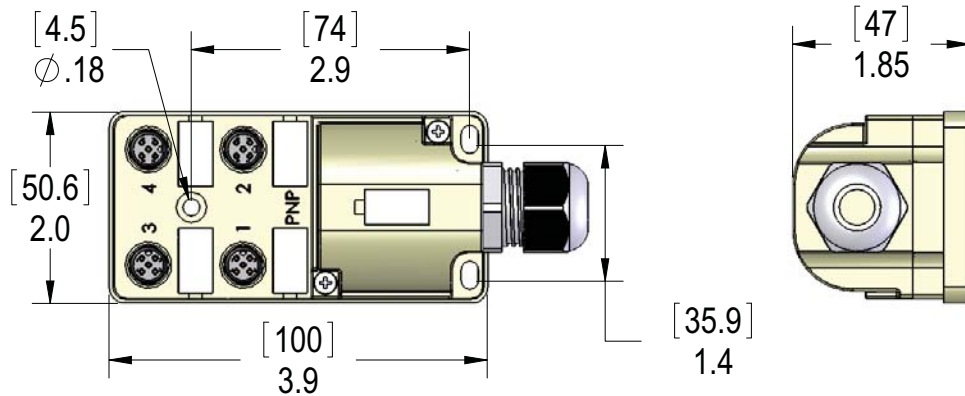
Field Wireable ❖ Cable ❖ D-Sub



Function	Cable Version	9 PIN Male D-SUB
	Cable O.D. 0.34"	
+ V	Brown	PIN #6 & #7
- V	Blue	PIN #8 & #9
Ground	Green/Yellow	Shield
PORT 1 PIN 4	White	PIN #1
PORT 2 PIN 4	Green	PIN #2
PORT 3 PIN 4	Yellow	PIN #3
PORT 4 PIN 4	Gray	PIN #4

JDC Junction Blocks 4 Port ❖ 4 Pin

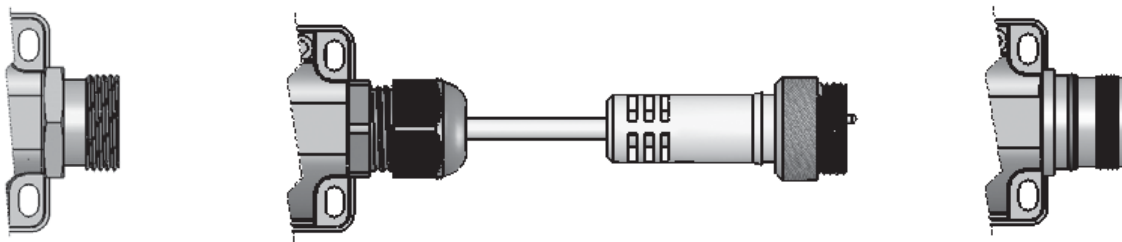
MIN Receptacle ❖ MIN Plug ❖ M23 Receptacle



MIN Receptacle

MIN Plug

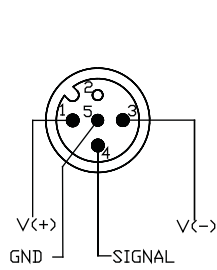
M23 Receptacle



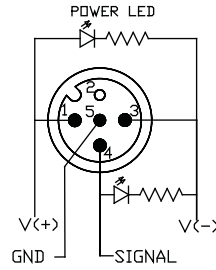
Trunk Connection	Length	Part Number		
		No LED	PNP	NPN
MIN 7 Receptacle	N/A	JDC-440-007-M000	JDC-44P-207-M000	JDC-44N-207-M000
MIN 7 Plug	0.3 M	JDC-440-007-M003	JDC-44P-207-M003	JDC-44N-207-M003
MIN 12 Receptacle	N/A	JDC-440-012-M000	JDC-44P-212-M000	JDC-44N-212-M000
MIN 12 Plug	0.3 M	JDC-440-012-M003	JDC-44P-212-M003	JDC-44N-212-M003
M23 Receptacle	N/A	JDC-440-012-V000	JDC-44P-212-V000	JDC-44N-212-V000

JDC Junction Blocks 4 Port ❖ 4 Pin

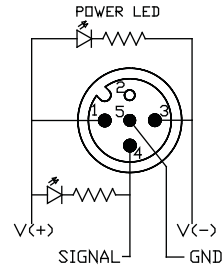
MIN Receptacle ❖ MIN Plug ❖ M23 Receptacle



No LED Version



PNP Version



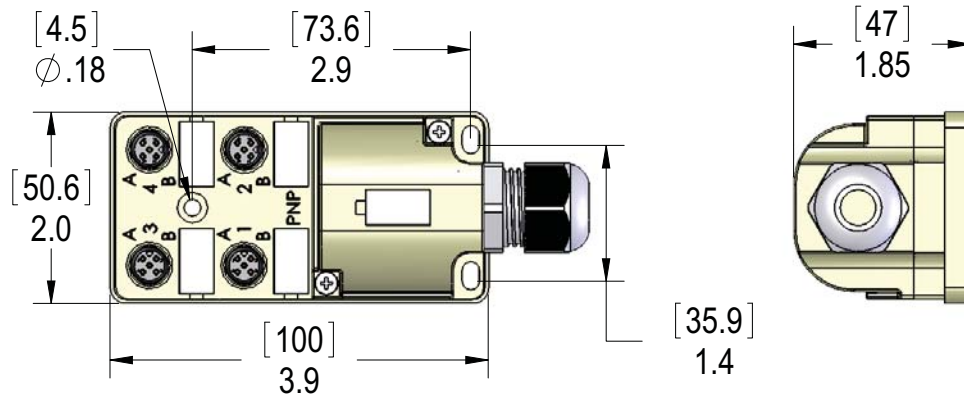
NPN Version

Function	MIN-7 Receptacle & Plug Version	MIN-12 Receptacle & Plug Version	12 PIN M23 Receptacle Version
+ V	PIN #6	PIN #10	PIN #11
- V	PIN #3	PIN #11	PIN #10 & #9
Ground	PIN #7	PIN #9	PIN #12
PORT 1 PIN 4	PIN #2	PIN #1	PIN #1
PORT 2 PIN4	PIN #1	PIN #2	PIN #2
PORT 3 PIN 4	PIN #5	PIN #3	PIN #3
PORT 4 PIN 4	PIN #4	PIN #4	PIN #4
Mating Plug for Receptacle or Plug	MIN-7FPX-xx	MIN-12FP-xx	MCV-12FP-xx

JDC Junction Blocks

JDC Junction Blocks 4 Port ❖ 5 Pin

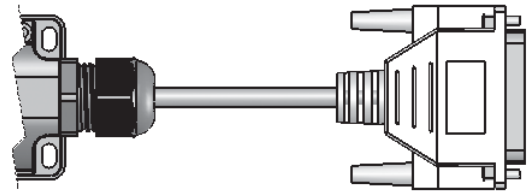
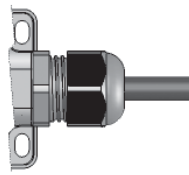
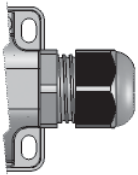
Field Wireable ❖ Cable ❖ D-Sub



Field Wireable

Cable

D-Sub

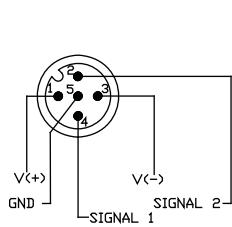


Trunk Connection	Length	Part Number		
		No LED	PNP	NPN
Field Wireable	N/A	JDC-450-011-F000	JDC-45P-211-F000	JDC-45N-211-F000
Cable	5 M	JDC-450-011-C050	JDC-45P-211-C050	JDC-45N-211-C050
	10 M	JDC-450-011-C100	JDC-45P-211-C100	JDC-45N-211-C100
25 PIN D-SUB	0.3 M	JDC-450-025-D003	JDC-45P-225-D003	JDC-45N-225-D003
	6 M	JDC-450-025-D060	JDC-45P-225-D060	JDC-45N-225-D060

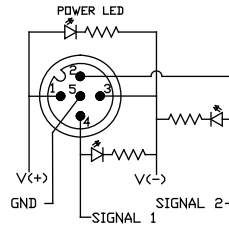
Other cable lengths are available, please consult the factory.

JDC Junction Blocks 4 Port ❖ 5 Pin

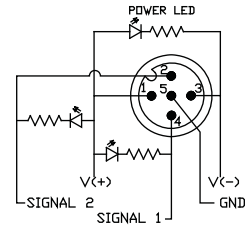
Field Wireable ❖ Cable ❖ D-Sub



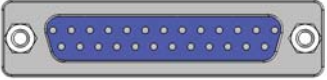
No LED Version



PNP Version

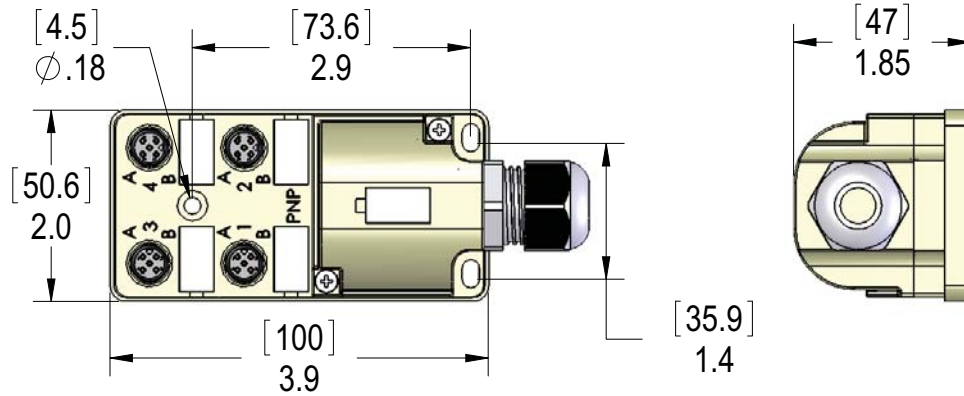


NPN Version

Function	Cable Version	25 PIN Male D-SUB
	Cable O.D. 0.38"	
+ V	Brown	PIN #22 & #23
- V	Blue	PIN #24 & #25
Ground	Green/Yellow	Shield
PORT 1 PIN 2	Pink	PIN #1
PORT 1 PIN 4	White	PIN #2
PORT 2 PIN 2	Red	PIN #3
PORT 2 PIN 4	Green	PIN #4
PORT 3 PIN 2	Black	PIN #5
PORT 3 PIN 4	Yellow	PIN #6
PORT 4 PIN 2	Violet	PIN #7
PORT 4 PIN 4	Gray	PIN #8

JDC Junction Blocks 4 Port ❖ 5 Pin

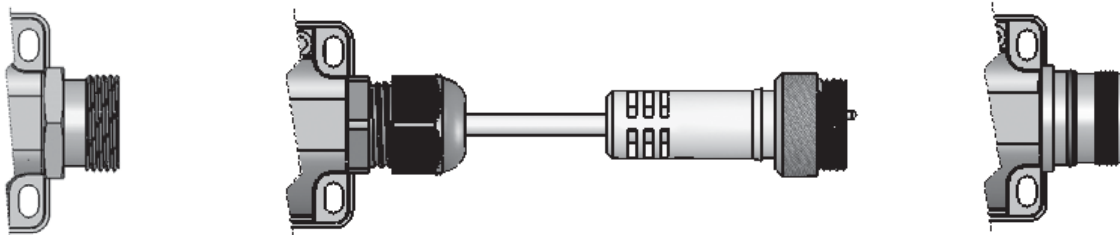
MIN Receptacle ❖ MIN Plug ❖ M23 Receptacle



MIN Receptacle

MIN Plug

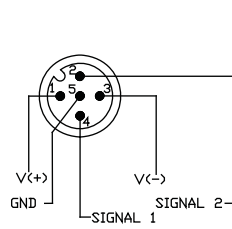
M23 Receptacle



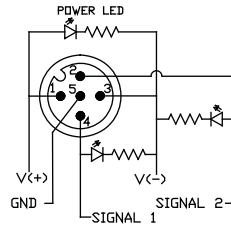
Trunk Connection	Length	Part Number		
		No LED	PNP	NPN
MIN 12 Receptacle	N/A	JDC-450-012-M000	JDC-45P-212-M000	JDC-45N-212-M000
MIN 12 Plug	0.3 M	JDC-450-012-M003	JDC-45P-212-M003	JDC-45N-212-M003
MIN 19 Receptacle	N/A	JDC-450-019-M000	JDC-45P-219-M000	JDC-45N-219-M000
MIN 19 Plug	0.3 M	JDC-450-019-M003	JDC-45P-219-M003	JDC-45N-219-M003
M23 Receptacle	N/A	JDC-450-019-V000	JDC-45P-219-V000	JDC-45N-219-V000

JDC Junction Blocks 4 Port ❖ 5 Pin

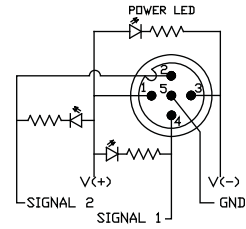
MIN Receptacle ❖ MIN Plug ❖ M23 Receptacle



No LED Version



PNP Version

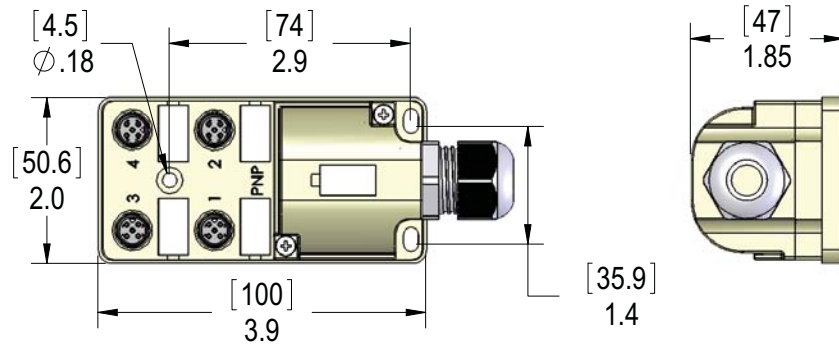


NPN Version

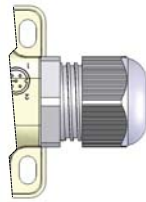
Function	MIN-12 Receptacle & Plug Version	MIN-19 Receptacle & Plug Version	19 PIN M23 Receptacle Version
+ V	PIN #10	PIN #7	PIN #19
- V	PIN #11	PIN #5	PIN #6
Ground	PIN #9	PIN #12	PIN #12
PORT 1 PIN 2	PIN #5	PIN #19	PIN #7
PORT 1 PIN 4	PIN #1	PIN #15	PIN #15
PORT 2 PIN 4	PIN #6	PIN #4	PIN #4
PORT 2 PIN 4	PIN #2	PIN #6	PIN #5
PORT 3 PIN 2	PIN #7	PIN #8	PIN #8
PORT 3 PIN 4	PIN #3	PIN #16	PIN #16
PORT 4 PIN 2	PIN #8	PIN #14	PIN #14
PORT 4 PIN 4	PIN #4	PIN #3	PIN #3

JDC Junction Blocks 4 Port ❖ 5 Pin

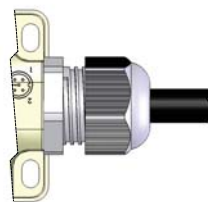
Straight Wired



Field Wireable



Cable

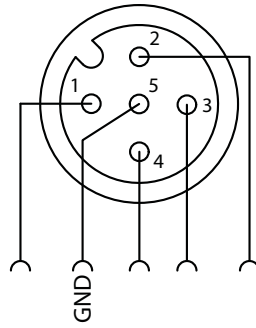


Trunk Connection	Length	Part Number
Field Wireable	N/A	JDC-4A0-017-F000
Cable	5 M	JDC-4A0-017-C050
	10 M	JDC-4A0-017-C100

Other cable lengths are available, please consult the factory.

JDC Junction Blocks 4 Port ❖ 5 Pin

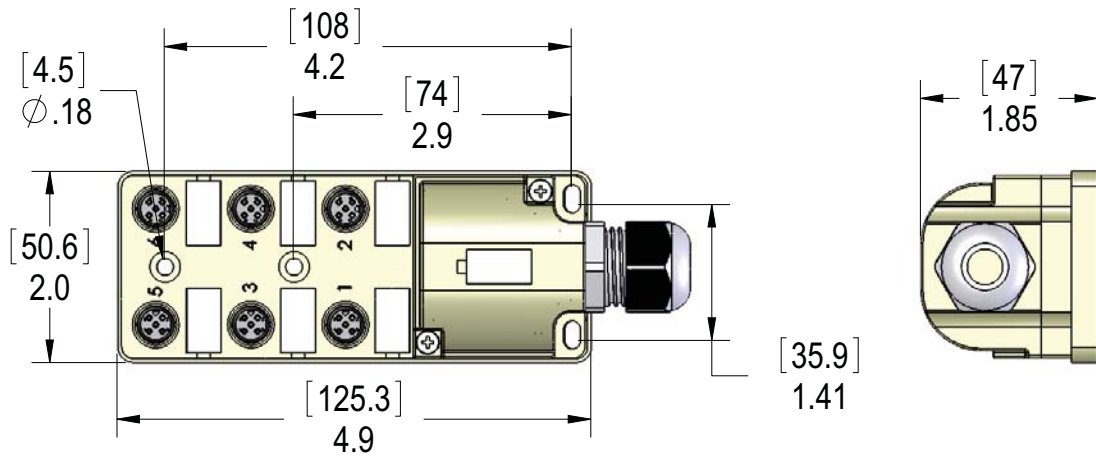
Straight Wired



Function	Cable Version
	Cable O.D. 0.43"
ALL PORTS PIN 5	Green/Yellow
PORT 1 PIN 1	Gray/Pink
PORT 1 PIN 2	Pink
PORT 1 PIN 3	Red/Blue
PORT 1 PIN 4	White
PORT 2 PIN 1	Brown/Green
PORT 2 PIN 2	Red
PORT 2 PIN 3	White/Green
PORT 2 PIN 4	Green
PORT 3 PIN 1	Yellow/Brown
PORT 3 PIN 2	Black
PORT 3 PIN 3	White/Yellow
PORT 3 PIN 4	Yellow
PORT 4 PIN 1	Gray/Brown
PORT 4 PIN 2	Violet
PORT 4 PIN 3	White/Gray
PORT 4 PIN 4	Gray

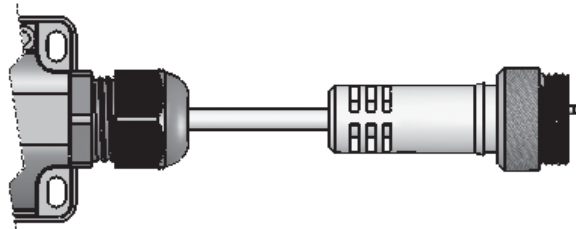
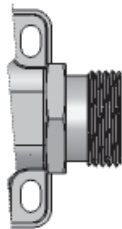
JDC Junction Blocks 6 Port ❖ 3 Pin

MIN Receptacle ❖ MIN Plug



MIN Receptacle

MIN Plug

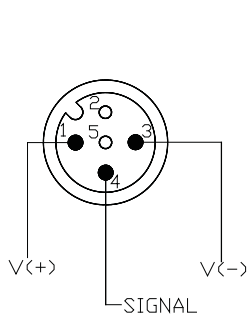


Trunk Connection	Length	Part Number		
		No LED	PNP	NPN
MIN 8 Receptacle	N/A	JDC-630-008-M000	JDC-63P-208-M000	JDC-63N-208-M000
MIN 8 Plug	0.3 M	JDC-630-008-M003	JDC-63P-208-M003	JDC-63N-208-M003

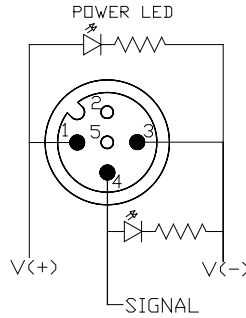
JDC Junction Blocks

JDC Junction Blocks 6 Port ❖ 3 Pin

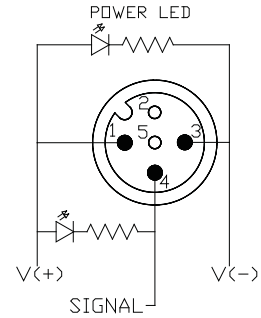
MIN Receptacle ❖ MIN Plug



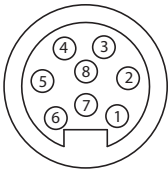
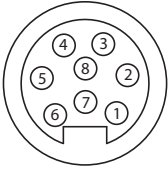
No LED Version



PNP Version

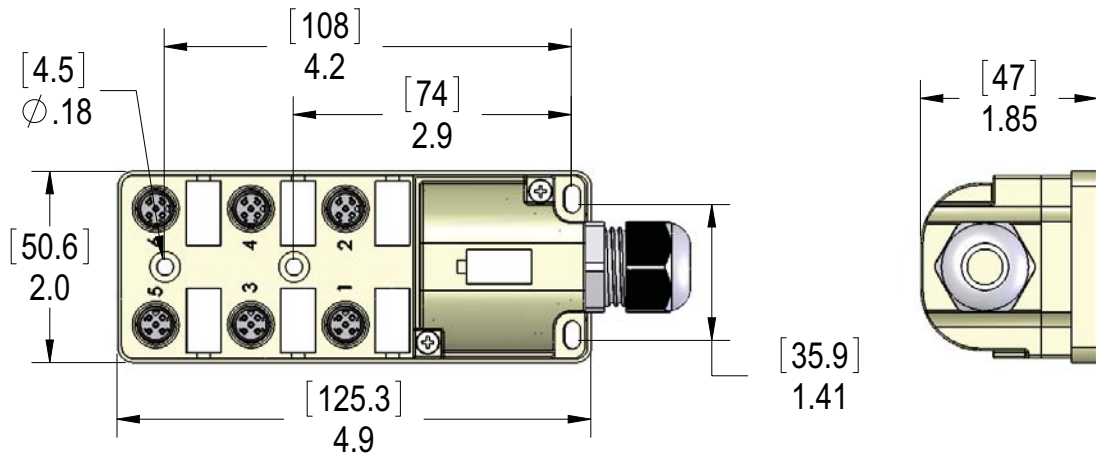


NPN Version

Function	MIN-8MR Receptacle Version	MIN-8MP Plug Version
		
+ V	PIN #8	PIN #8
- V	PIN #7	PIN #7
PORT 1 PIN 4	PIN #6	PIN #6
PORT 2 PIN 4	PIN #5	PIN #5
PORT 3 PIN 4	PIN #4	PIN #4
PORT 4 PIN 4	PIN #3	PIN #3
PORT 5 PIN 4	PIN #2	PIN #2
PORT 6 PIN 4	PIN #1	PIN #1
Mating Plug for Receptacle or Plug	MIN-8FPX...	MIN-8FP...

JDC Junction Blocks 6 Port ❖ 4 Pin

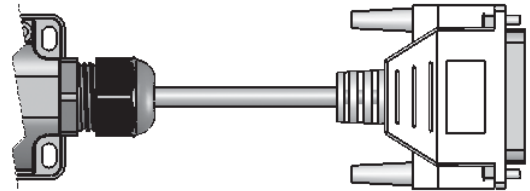
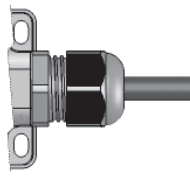
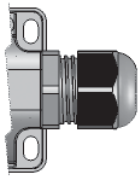
Field Wireable ❖ Cable ❖ D-Sub



Field Wireable

Cable

D-Sub

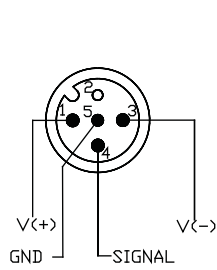


Trunk Connection	Length	Part Number		
		No LED	PNP	NPN
Field Wireable	N/A	JDC-640-009-F000	JDC-64P-209-F000	JDC-64N-209-F000
Cable	5 M	JDC-640-009-C050	JDC-64P-209-C050	JDC-64N-209-C050
	10 M	JDC-640-009-C100	JDC-64P-209-C100	JDC-64N-209-C100
9 PIN D-SUB	0.3 M	JDC-640-009-D003	JDC-64P-209-D003	JDC-64N-209-D003
	6 M	JDC-640-009-D060	JDC-64P-209-D060	JDC-64N-209-D060

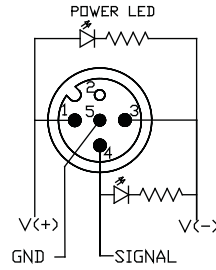
Other cable lengths are available, please consult the factory.

JDC Junction Blocks 6 Port ❖ 4 Pin

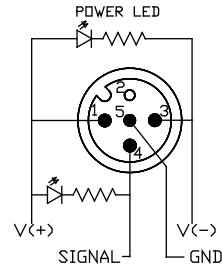
Field Wireable ❖ Cable ❖ D-Sub



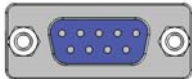
No LED Version



PNP Version

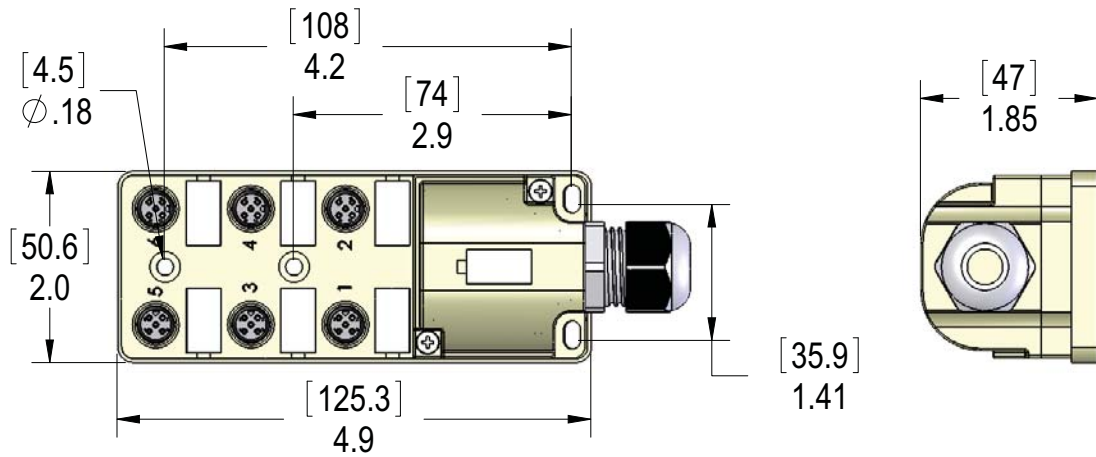


NPN Version

Function	Cable Version	9 PIN Male D-SUB
	Cable O.D. 0.35"	
+ V	Brown	PIN #7 & #8
- V	Blue	PIN #9
Ground	Green/Yellow	Shield
PORT 1 PIN 4	White	PIN #1
PORT 2 PIN 4	Green	PIN #2
PORT 3 PIN 4	Yellow	PIN #3
PORT 4 PIN 4	Gray	PIN #4
PORT 5 PIN 4	Pink	PIN #5
PORT 6 PIN 4	Red	PIN #6

JDC Junction Blocks 6 Port ❖ 4 Pin

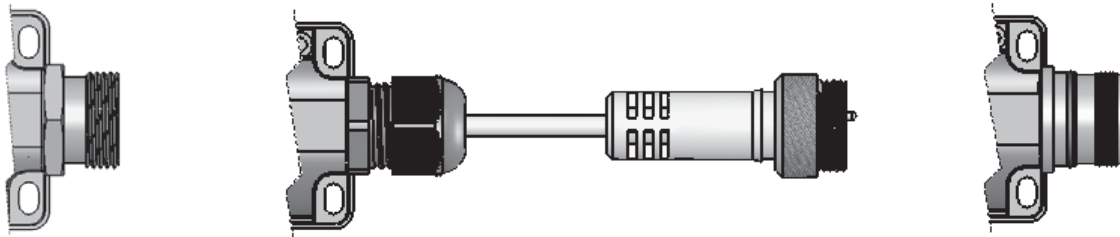
MIN Receptacle ❖ MIN Plug ❖ M23 Receptacle



MIN Receptacle

MIN Plug

M23 Receptacle

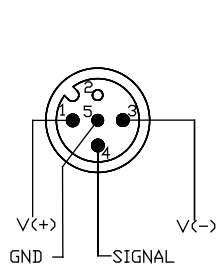


Trunk Connection	Length	Part Number		
		No LED	PNP	NPN
MIN 9 Receptacle	N/A	JDC-640-009-M000	JDC-64P-209-M000	JDC-64N-209-M000
MIN 9 Plug	0.3 M	JDC-640-009-M003	JDC-64P-209-M003	JDC-64N-209-M003
M23 Receptacle	N/A	JDC-640-012-V000	JDC-64P-212-V000	JDC-64N-212-V000

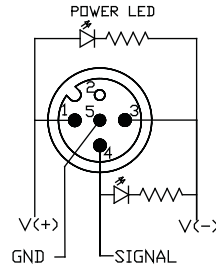
JDC Junction Blocks

JDC Junction Blocks 6 Port ❖ 4 Pin

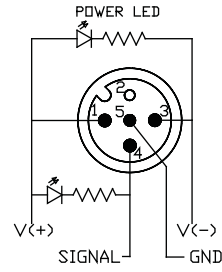
MIN Receptacle ❖ MIN Plug ❖ M23 Receptacle



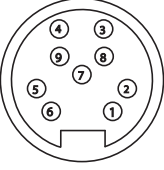
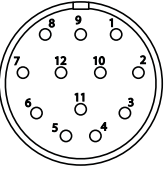
No LED Version



PNP Version

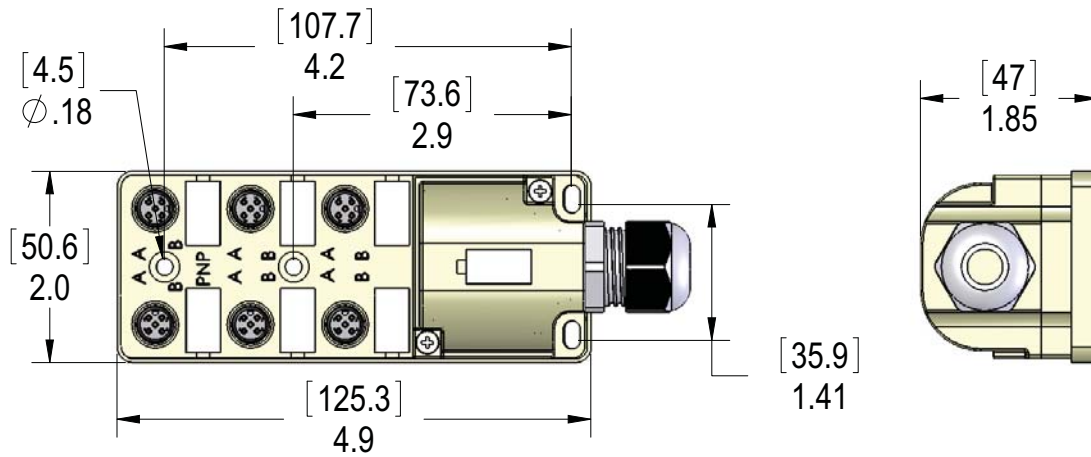


NPN Version

Function	MIN-9 Receptacle & Plug Version	12 PIN M23 Receptacle Version
		
+ V	PIN #8	PIN #11
- V	PIN #9	PIN #9 & #10
Ground	PIN #7	PIN #12
PORT 1 PIN 4	PIN #1	PIN #1
PORT 2 PIN4	PIN #2	PIN #2
PORT 3 PIN 4	PIN #3	PIN #3
PORT 4 PIN 4	PIN #4	PIN #4
PORT 5 PIN 4	PIN #5	PIN #5
PORT 6 PIN 4	PIN #6	PIN #6
Mating Plug for Receptacle or Plug	MIN-9FPX-xx	MCV-12FP-xx

JDC Junction Blocks 6 Port ❖ 5 Pin

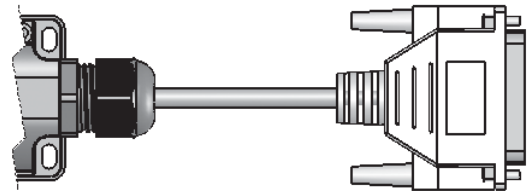
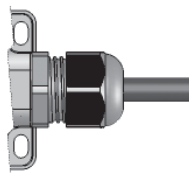
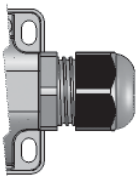
Field Wireable ❖ Cable ❖ D-Sub



Field Wireable

Cable

D-Sub

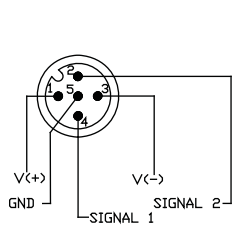


Trunk Connection	Length	Part Number		
		No LED	PNP	NPN
Field Wireable	N/A	JDC-650-015-F000	JDC-65P-215-F000	JDC-65N-215-F000
Cable	5 M	JDC-650-015-C050	JDC-65P-215-C050	JDC-65N-215-C050
	10 M	JDC-650-015-C100	JDC-65P-215-C100	JDC-65N-215-C100
25 PIN D-SUB	0.3 M	JDC-650-025-D003	JDC-65P-225-D003	JDC-65N-225-D003
	6 M	JDC-650-025-D060	JDC-65P-225-D060	JDC-65N-225-D060

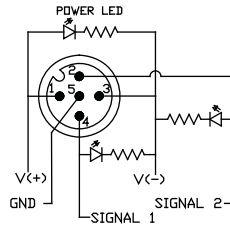
Other cable lengths are available, please consult the factory.

JDC Junction Blocks 6 Port ❖ 5 Pin

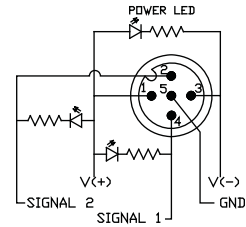
Field Wireable ❖ Cable ❖ D-Sub



No LED Version



PNP Version

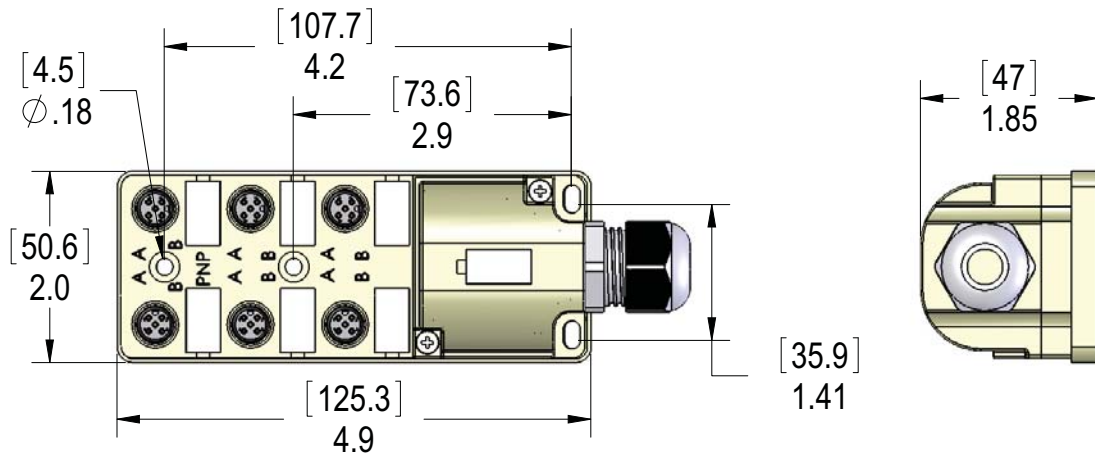


NPN Version

Function	Cable Version	25 PIN Male D-SUB
	Cable O.D. 0.40"	
+ V	Brown	PIN #22 & #23
- V	Blue	PIN #24 & #25
Ground	Green/Yellow	Shield
PORT 1 PIN 2	Gray/Pink	PIN #2
PORT 1 PIN 4	White	PIN #1
PORT 2 PIN 2	Red/Blue	PIN #4
PORT 2 PIN 4	Green	PIN #3
PORT 3 PIN 2	White/Green	PIN #6
PORT 3 PIN 4	Yellow	PIN #5
PORT 4 PIN 2	Brown/Green	PIN #8
PORT 4 PIN 4	Gray	PIN #7
PORT 5 PIN 2	White/Yellow	PIN #10
PORT 5 PIN 4	Pink	PIN #9
PORT 6 PIN 2	Yellow/Brown	PIN #12
PORT 6 PIN 4	Red	PIN #11

JDC Junction Blocks 6 Port ❖ 5 Pin

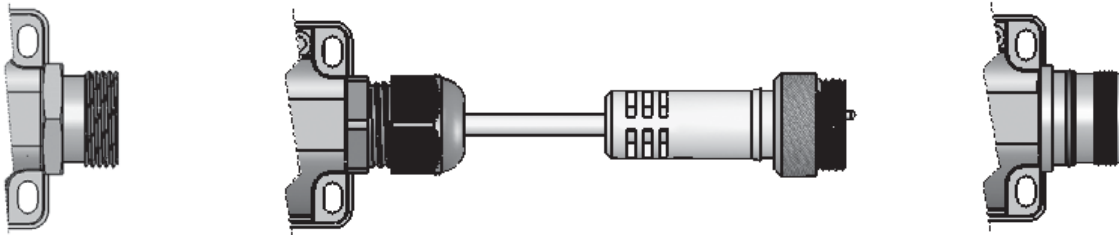
MIN Receptacle ❖ MIN Plug ❖ M23 Receptacle



MIN Receptacle

MIN Plug

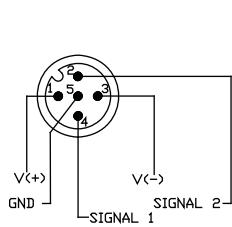
M23 Receptacle



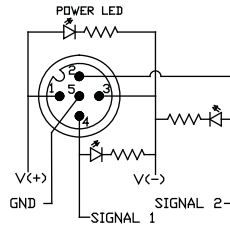
Trunk Connection	Length	Part Number		
		No LED	PNP	NPN
MIN 19 Receptacle	N/A	JDC-650-019-M000	JDC-65P-219-M000	JDC-65N-219-M000
MIN 19 Plug	0.3 M	JDC-650-019-M003	JDC-65P-219-M003	JDC-65N-219-M003
M23 Receptacle	N/A	JDC-650-019-V000	JDC-65P-219-V000	JDC-65N-219-V000

JDC Junction Blocks 6 Port ❖ 5 Pin

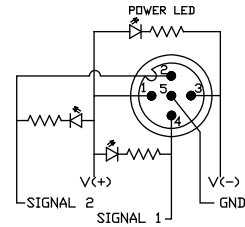
MIN Receptacle ❖ MIN Plug ❖ M23 Receptacle



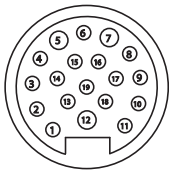
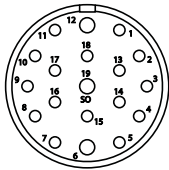
No LED Version



PNP Version

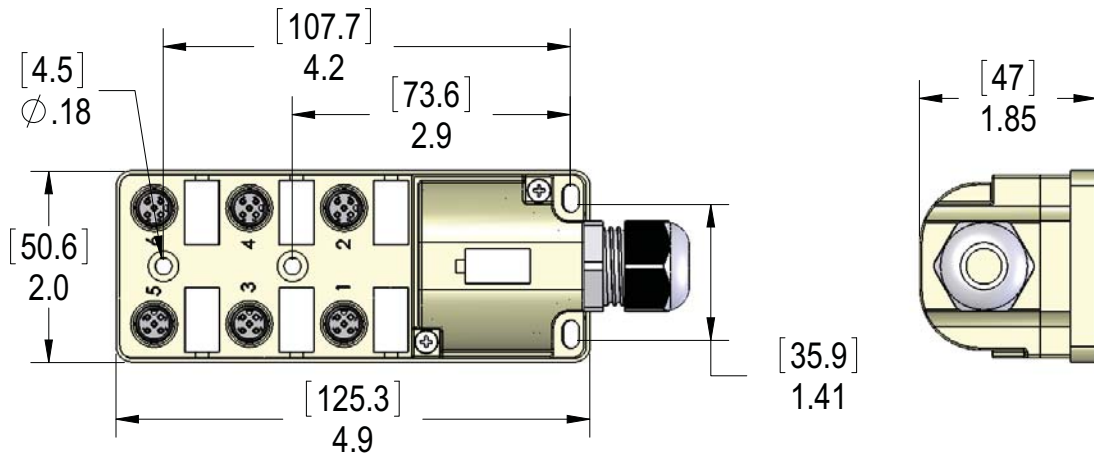


NPN Version

Function	MIN-19 Receptacle & Plug Version	19 PIN M23 Receptacle Version
		
+ V	PIN #7	PIN #19
- V	PIN #5	PIN #6
Ground	PIN #12	PIN #12
PORT 1 PIN 2	PIN #19	PIN #7
PORT 1 PIN 4	PIN #15	PIN #15
PORT 2 PIN 4	PIN #4	PIN #4
PORT 2 PIN 4	PIN #6	PIN #5
PORT 3 PIN 2	PIN #8	PIN #8
PORT 3 PIN 4	PIN #16	PIN #16
PORT 4 PIN 2	PIN #14	PIN #14
PORT 4 PIN 4	PIN #3	PIN #3
PORT 5 PIN 2	PIN #9	PIN #9
PORT 5 PIN 4	PIN #17	PIN #17
PORT 6 PIN 2	PIN #13	PIN #13
PORT 6 PIN 4	PIN #2	PIN #2
Mating Plug for Receptacle or Plug	MINP-19FP-xx	MCV-19FP-xx

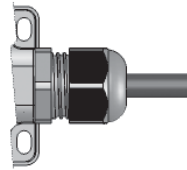
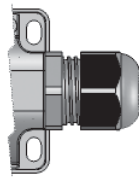
JDC Junction Blocks 6 Port ❖ 5 Pin

Straight Wired



Field Wireable

Cable

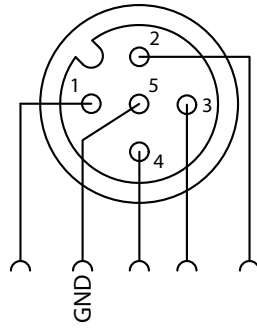


Trunk Connection	Length	Part Number
Field Wireable	N/A	JDC-6A0-025-F000
Cable	5 M	JDC-6A0-025-C050
	10 M	JDC-6A0-025-C100

Other cable lengths are available, please consult the factory.

JDC Junction Blocks 6 Port ❖ 5 Pin

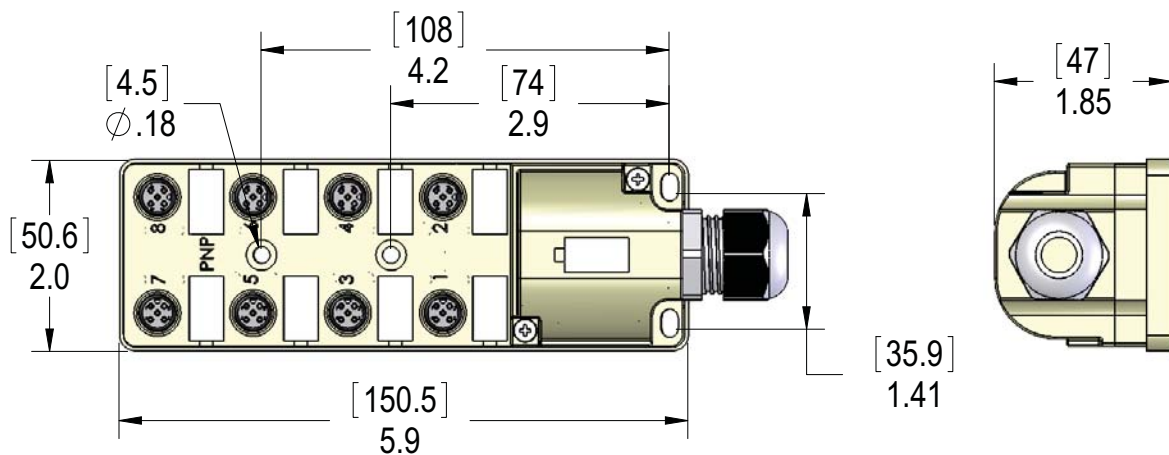
Straight Wired



Function	Cable Version
	Cable O.D. 0.50"
ALL PORTS PIN 5	Green/Yellow
PORT 1 PIN 1	Brown/Black
PORT 1 PIN 2	White/Blue
PORT 1 PIN 3	White/Black
PORT 1 PIN 4	White
PORT 2 PIN 1	Brown/Green
PORT 2 PIN 2	White/Green
PORT 2 PIN 3	Brown/Blue
PORT 2 PIN 4	Green
PORT 3 PIN 1	Yellow/Brown
PORT 3 PIN 2	White/Yellow
PORT 3 PIN 3	Black
PORT 3 PIN 4	Yellow
PORT 4 PIN 1	Gray/Brown
PORT 4 PIN 2	White/Gray
PORT 4 PIN 3	Gray/Pink
PORT 4 PIN 4	Gray
PORT 5 PIN 1	Pink/Brown
PORT 5 PIN 2	White/Pink
PORT 5 PIN 3	Violet
PORT 5 PIN 4	Pink
PORT 6 PIN 1	Brown/Red
PORT 6 PIN 2	White/Red
PORT 6 PIN 3	Red/Blue
PORT 6 PIN 4	Red

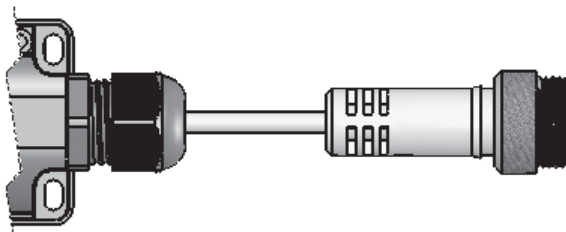
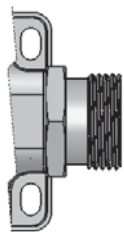
JDC Junction Blocks 8 Port ❖ 3 Pin

MIN Receptacle ❖ MIN Plug



MIN Receptacle

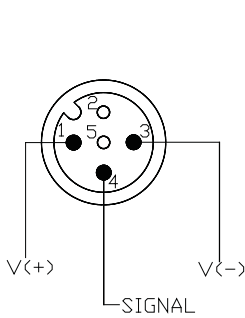
MIN Plug



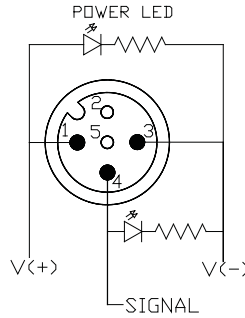
Trunk Connection	Length	Part Number		
		No LED	PNP	NPN
MIN 10 Receptacle	N/A	JDC-830-010-M000	JDC-83P-210-M000	JDC-83N-210-M000
MIN 10 Plug	0.3 M	JDC-830-010-M003	JDC-83P-210-M003	JDC-83N-210-M003

JDC Junction Blocks 8 Port ❖ 3 Pin

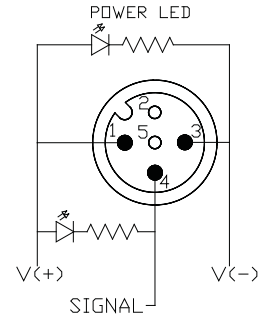
MIN Receptacle ❖ MIN Plug



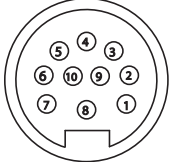
No LED Version



PNP Version

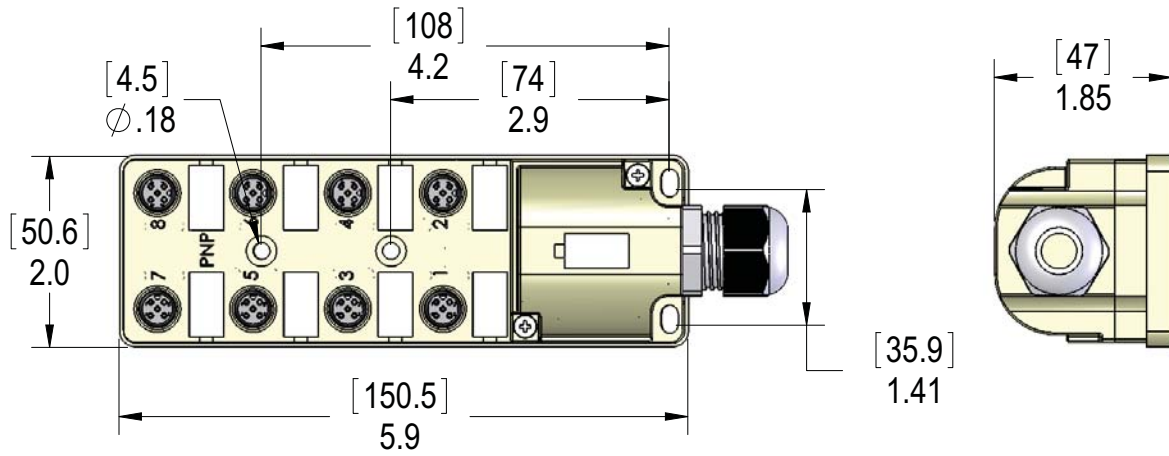


NPN Version

Function	MIN-10 Receptacle & Plug Version
	
+ V	PIN #10
- V	PIN #8
PORT 1 PIN 4	PIN #7
PORT 2 PIN 4	PIN #6
PORT 3 PIN 4	PIN #5
PORT 4 PIN 4	PIN #4
PORT 5 PIN 4	PIN #3
PORT 6 PIN 4	PIN #2
PORT 7 PIN 4	PIN #1
PORT 8 PIN 4	PIN #9
Mating Plug for Receptacle or Plug	MIN-10FPX-xx

JDC Junction Blocks 8 Port ❖ 4 Pin

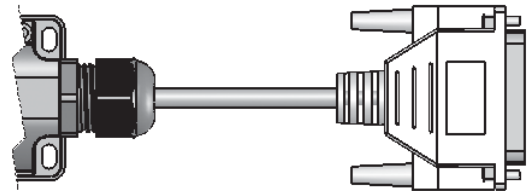
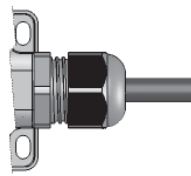
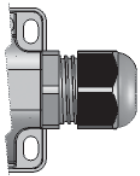
Field Wireable ❖ Cable ❖ D-Sub



Field Wireable

Cable

D-Sub

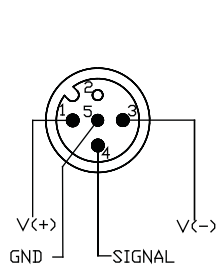


Trunk Connection	Length	Part Number		
		No LED	PNP	NPN
Field Wireable	N/A	JDC-840-011-F000	JDC-84P-211-F000	JDC-84N-211-F000
Cable	5 M	JDC-840-011-C050	JDC-84P-211-C050	JDC-84N-211-C050
	10 M	JDC-840-011-C100	JDC-84P-211-C100	JDC-84N-211-C100
25 PIN D-SUB	0.3 M	JDC-840-025-D003	JDC-84P-225-D003	JDC-84N-225-D003
	6 M	JDC-840-025-D060	JDC-84P-225-D060	JDC-84N-225-D060

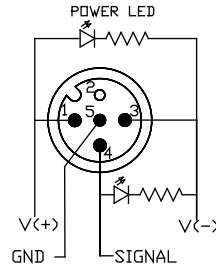
Other cable lengths are available, please consult the factory.

JDC Junction Blocks 8 Port ❖ 4 Pin

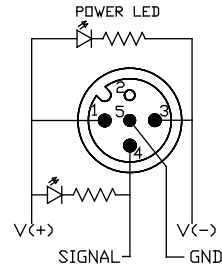
Field Wireable ❖ Cable ❖ D-Sub



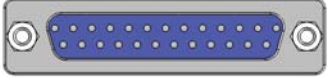
No LED Version



PNP Version

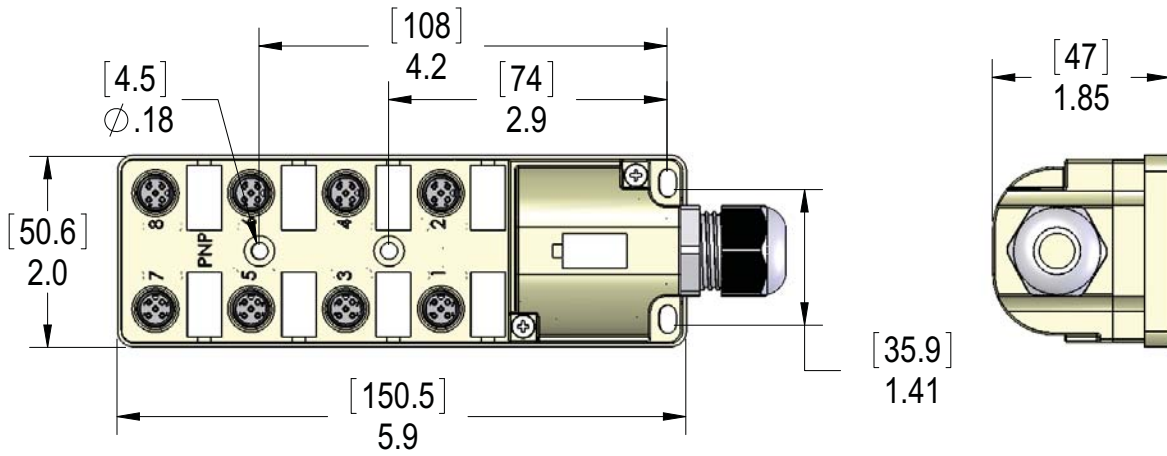


NPN Version

Function	Cable Version	25 PIN Male D-SUB
	Cable O.D. 0.35"	
+ V	Brown	PIN #22 & #23
- V	Blue	PIN #24 & #25
Ground	Green/Yellow	Shield
PORT 1 PIN 4	White	PIN #1
PORT 2 PIN 4	Green	PIN #2
PORT 3 PIN 4	Yellow	PIN #3
PORT 4 PIN 4	Gray	PIN #4
PORT 5 PIN 4	Pink	PIN #5
PORT 6 PIN 4	Red	PIN #6
PORT 7 PIN 4	Black	PIN #7
PORT 8 PIN 4	Violet	PIN #8

JDC Junction Blocks 8 Port ❖ 4 Pin

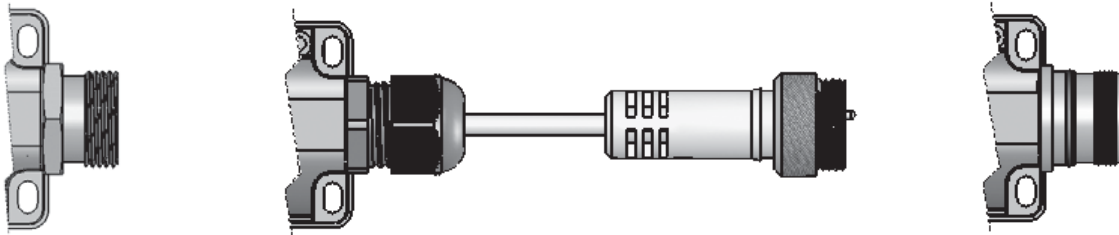
MIN Receptacle ❖ MIN Plug ❖ M23 Receptacle



MIN Receptacle

MIN Plug

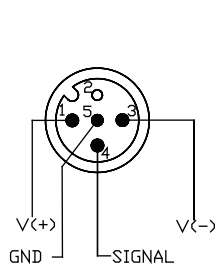
M23 Receptacle



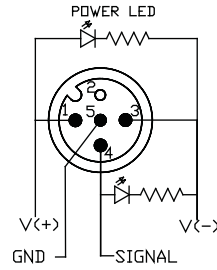
Trunk Connection	Length	Part Number		
		No LED	PNP	NPN
MIN 12 Receptacle	N/A	JDC-840-012-M000	JDC-84P-212-M000	JDC-84N-212-M000
MIN 12 Plug	0.3 M	JDC-840-012-M003	JDC-84P-212-M003	JDC-84N-212-M003
M23 Receptacle	N/A	JDC-840-012-V000	JDC-84P-212-V000	JDC-84N-212-V000

JDC Junction Blocks 8 Port ❖ 4 Pin

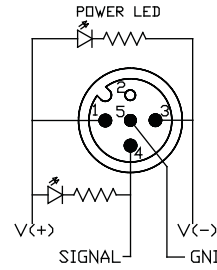
MIN Receptacle ❖ MIN Plug ❖ M23 Receptacle



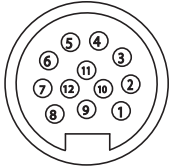
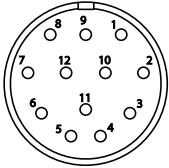
No LED Version



PNP Version

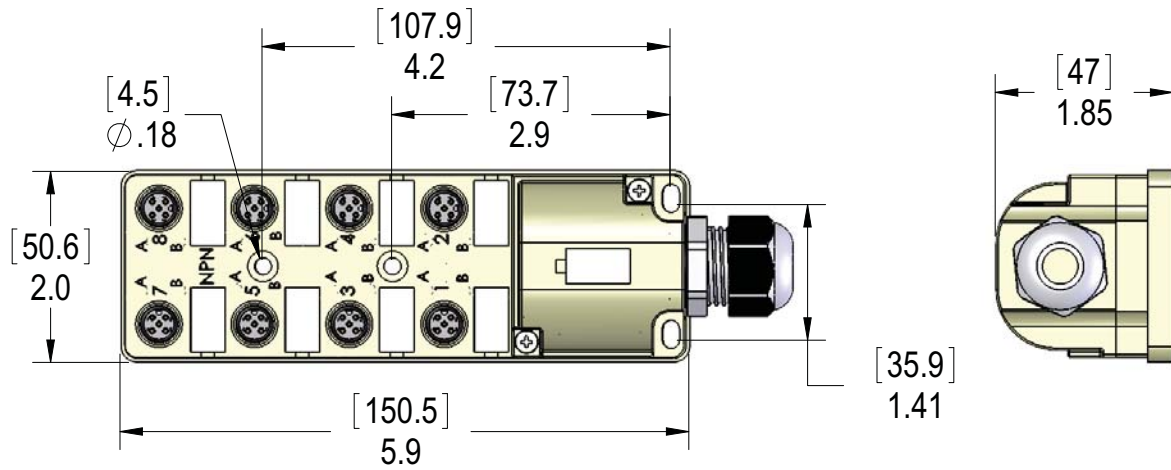


NPN Version

Function	MIN-12 Receptacle & Plug Version	12 PIN M23 Receptacle Version
		
+ V	PIN #10	PIN #11
- V	PIN #11	PIN #9 & #10
Ground	PIN #9	PIN #12
PORT 1 PIN 4	PIN #1	PIN #1
PORT 2 PIN 4	PIN #2	PIN #2
PORT 3 PIN 4	PIN #3	PIN #3
PORT 4 PIN 4	PIN #4	PIN #4
PORT 5 PIN 4	PIN #5	PIN #5
PORT 6 PIN 4	PIN #6	PIN #6
PORT 7 PIN 4	PIN #7	PIN #7
PORT 8 PIN 4	PIN #8	PIN #8
Mating Plug for Receptacle or Plug	MIN-12FPX-xx	MCV-12FP-xx

JDC Junction Blocks 8 Port ❖ 5 Pin

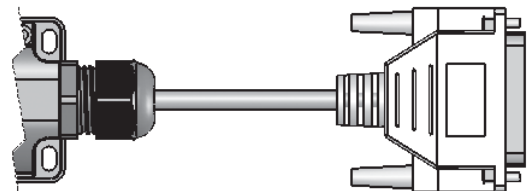
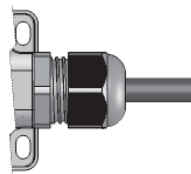
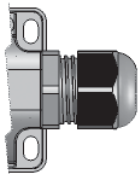
Field Wireable ❖ Cable ❖ D-Sub



Field Wireable

Cable

D-Sub

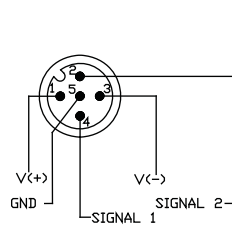


Trunk Connection	Length	Part Number		
		No LED	PNP	NPN
Field Wireable	N/A	JDC-850-019-F000	JDC-85P-219-F000	JDC-85N-219-F000
Cable	5 M	JDC-850-019-C050	JDC-85P-219-C050	JDC-85N-219-C050
	10 M	JDC-850-019-C100	JDC-85P-219-C100	JDC-85N-219-C100
25 PIN D-SUB	0.3 M	JDC-850-025-D003	JDC-85P-225-D003	JDC-85N-225-D003
	6 M	JDC-850-025-D060	JDC-85P-225-D060	JDC-85N-225-D060

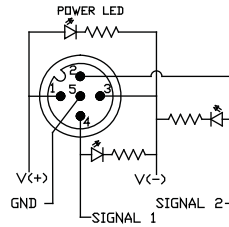
Other cable lengths are available, please consult the factory.

JDC Junction Blocks 8 Port ❖ 5 Pin

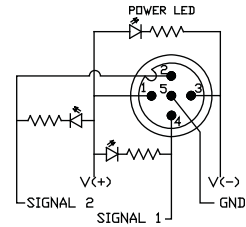
Field Wireable ❖ Cable ❖ D-Sub



No LED Version



PNP Version



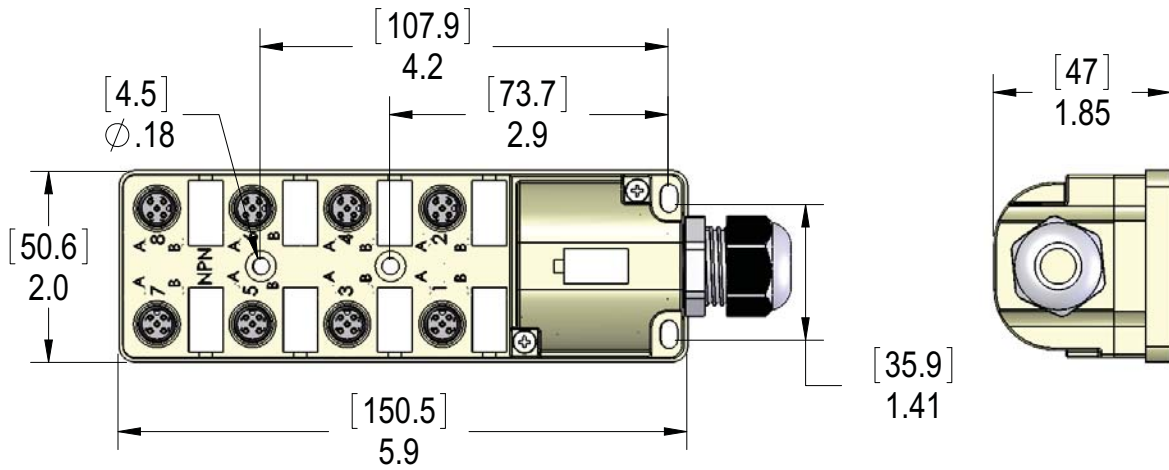
NPN Version

Function	Cable Version	25 PIN Male D-SUB
	Cable O.D. 0.43"	
+ V	Brown	PIN #22 & #23
- V	Blue	PIN #24 & #25
Ground	Green/Yellow	Shield
PORT 1 PIN 2	Gray/Pink	PIN #2
PORT 1 PIN 4	White	PIN #1
PORT 2 PIN 2	Red/Blue	PIN #4
PORT 2 PIN 4	Green	PIN #3
PORT 3 PIN 2	White/Green	PIN #6
PORT 3 PIN 4	Yellow	PIN #5
PORT 4 PIN 2	Brown/Green	PIN #8
PORT 4 PIN 4	Gray	PIN #7
PORT 5 PIN 2	White/Yellow	PIN #10
PORT 5 PIN 4	Pink	PIN #9
PORT 6 PIN 2	Yellow/Brown	PIN #12
PORT 6 PIN 4	Red	PIN #11
PORT 7 PIN 2	White/Gray	PIN #14
PORT 7 PIN 4	Black	PIN #13
PORT 8 PIN 2	Gray/Brown	PIN #16
PORT 8 PIN 4	Violet	PIN #15

JDC Junction Blocks

JDC Junction Blocks 8 Port ❖ 5 Pin

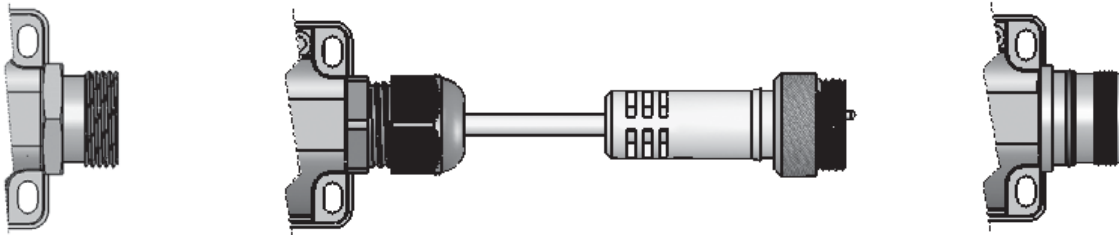
MIN Receptacle ❖ MIN Plug ❖ M23 Receptacle



MIN Receptacle

MIN Plug

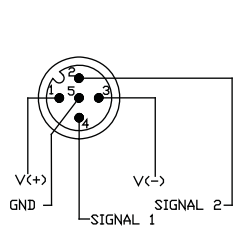
M23 Receptacle



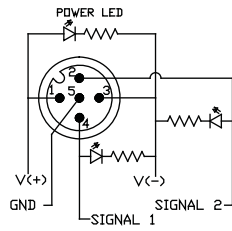
Trunk Connection	Length	Part Number		
		No LED	PNP	NPN
MIN 19 Receptacle	N/A	JDC-850-019-M000	JDC-85P-219-M000	JDC-85N-219-M000
MIN 19 Plug	0.3 M	JDC-850-019-M003	JDC-85P-219-M003	JDC-85N-219-M003
M23 Receptacle	N/A	JDC-850-019-V000	JDC-85P-219-V000	JDC-85N-219-V000

JDC Junction Blocks 8 Port ❖ 5 Pin

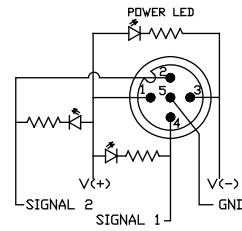
MIN Receptacle ❖ MIN Plug ❖ M23 Receptacle



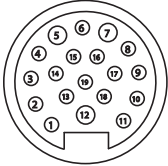
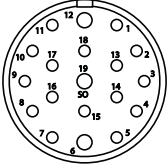
No LED Version



PNP Version

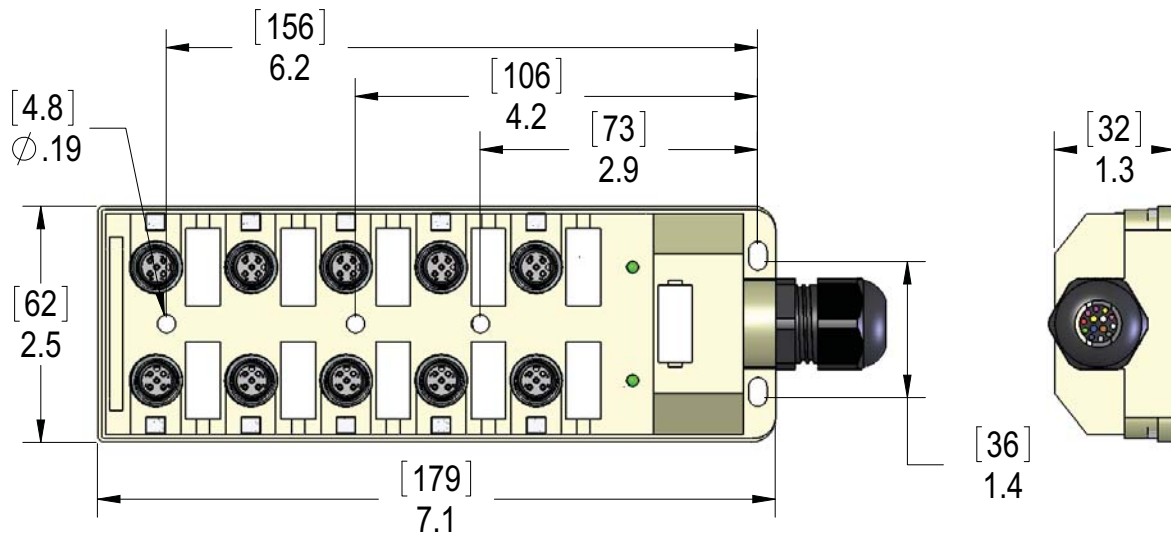


NPN Version

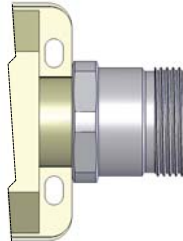
Function	MIN-19 Receptacle & Plug Version	19 PIN M23 Receptacle Version
		
+ V	PIN #7	PIN #19
- V	PIN #5	PIN #6
Ground	PIN #12	PIN #12
PORT 1 PIN 2	PIN #19	PIN #7
PORT 1 PIN 4	PIN #15	PIN #15
PORT 2 PIN 2	PIN #4	PIN #4
PORT 2 PIN 4	PIN #6	PIN #5
PORT 3 PIN 2	PIN #8	PIN #8
PORT 3 PIN 4	PIN #16	PIN #16
PORT 4 PIN 2	PIN #14	PIN #14
PORT 4 PIN 4	PIN #3	PIN #3
PORT 5 PIN 2	PIN #9	PIN #9
PORT 5 PIN 4	PIN #17	PIN #17
PORT 6 PIN 2	PIN #13	PIN #13
PORT 6 PIN 4	PIN #2	PIN #2
PORT 7 PIN 2	PIN #10	PIN #10
PORT 7 PIN 4	PIN #11	PIN #11
PORT 8 PIN 2	PIN #18	PIN #18
PORT 8 PIN 4	PIN #1	PIN #1
Mating Plug for Receptacle or Plug	MINP-19FP-xx	MCV-19FP-xx

JDC Junction Blocks 10 Port ❖ 3 Pin

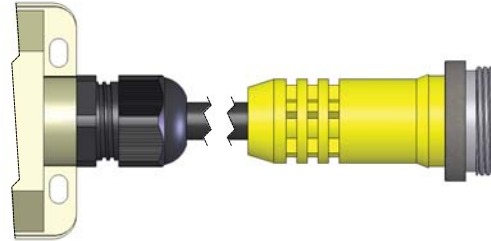
MIN Receptacle ❖ MIN Plug



MIN Receptacle



MIN Plug

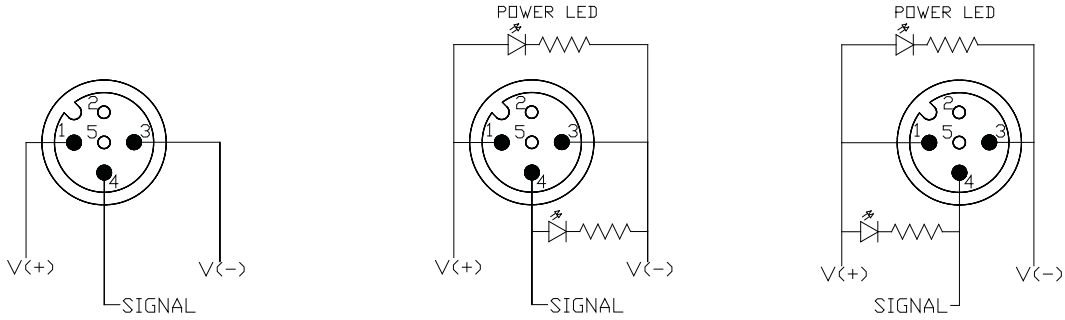


Trunk Connection	Length	Part Number		
		No LED	PNP	NPN
MIN 12 Receptacle	N/A	JDC-030-012-M000	JDC-03P-212-M000	JDC-03N-212-M000
MIN 12 Plug	0.3 M	JDC-030-012-M003	JDC-03P-212-M003	JDC-03N-212-M003

JDC Junction Blocks

JDC Junction Blocks 10 Port ❖ 3 Pin

MIN Receptacle ❖ MIN Plug



No LED Version

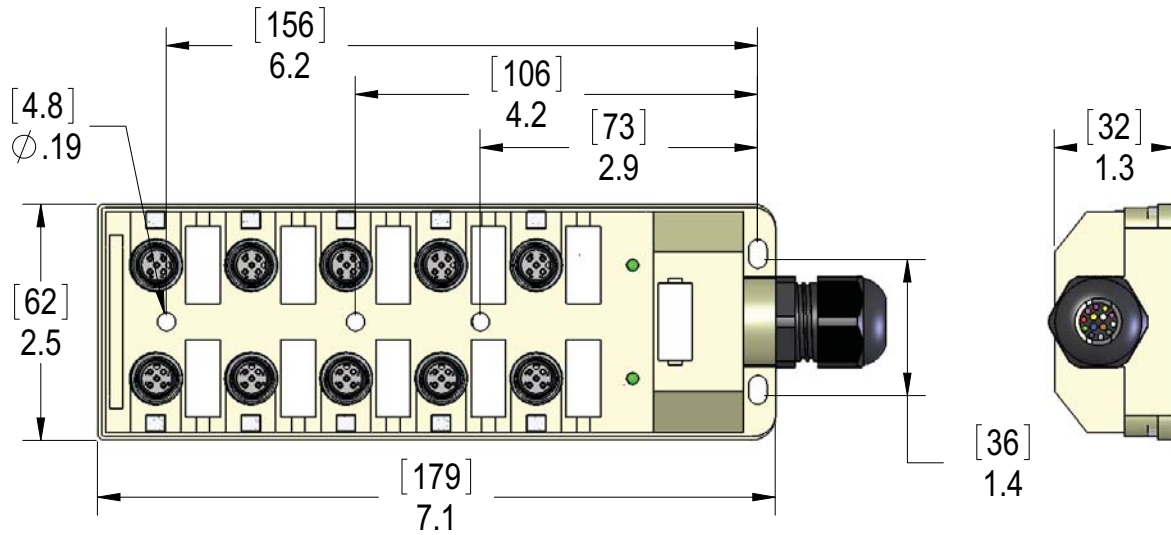
PNP Version

NPN Version

Function	MIN-12 Receptacle & Plug Version
+ V	PIN #10
- V	PIN #9
PORT 1 PIN 4	PIN #1
PORT 2 PIN 4	PIN #2
PORT 3 PIN 4	PIN #3
PORT 4 PIN 4	PIN #4
PORT 5 PIN 4	PIN #5
PORT 6 PIN 4	PIN #6
PORT 7 PIN 4	PIN #7
PORT 8 PIN 4	PIN #8
PORT 9 PIN 4	PIN #11
PORT 10 PIN 4	PIN #12
Mating Plug for Receptacle or Plug	MIN-12FP-xx

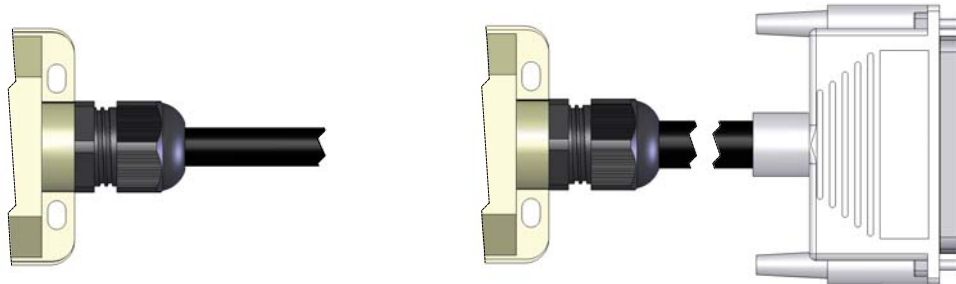
JDC Junction Blocks 10 Port ❖ 4 Pin

Cable ❖ D-Sub



Cable

D-Sub

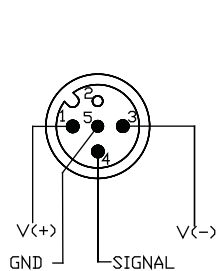


Trunk Connection	Length	Part Number		
		No LED	PNP	NPN
Cable	5 M	JDC-040-013-C050	JDC-04P-213-C050	JDC-04N-213-C050
	10 M	JDC-040-013-C100	JDC-04P-213-C100	JDC-04N-213-C100
25 PIN D-SUB	0.3 M	JDC-040-025-D003	JDC-04P-225-D003	JDC-04N-225-D003
	6 M	JDC-040-025-D060	JDC-04P-225-D060	JDC-04N-225-D060

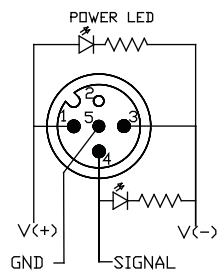
Other cable lengths are available, please consult the factory.

JDC Junction Blocks 10 Port ❖ 4 Pin

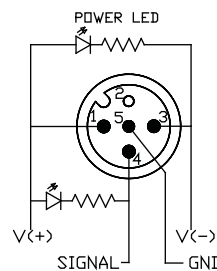
Cable ❖ D-Sub



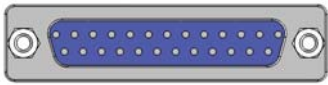
No LED Version



PNP Version



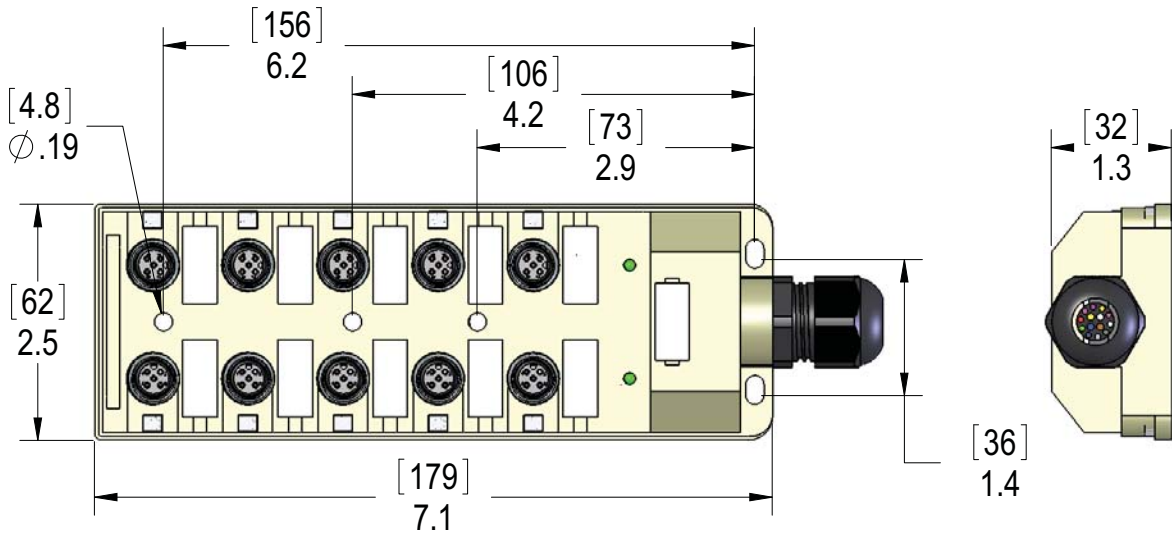
NPN Version

Function	Cable Version	25 PIN Male D-SUB
	Cable O.D. 0.39"	
+ V	Brown	PIN #22 & #23
- V	Blue	PIN #24 & #25
Ground	Green/Yellow	Shield
PORT 1 PIN 4	White	PIN #1
PORT 2 PIN 4	Green	PIN #2
PORT 3 PIN 4	Yellow	PIN #3
PORT 4 PIN 4	Gray	PIN #4
PORT 5 PIN 4	Pink	PIN #5
PORT 6 PIN 4	Red	PIN #6
PORT 7 PIN 4	Black	PIN #7
PORT 8 PIN 4	Violet	PIN #8
PORT 9 PIN 4	Gray/Pink	PIN #9
PORT 10 PIN 4	Red/Blue	PIN #10

JDC Junction Blocks

JDC Junction Blocks 10 Port ❖ 4 Pin

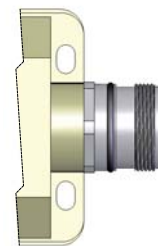
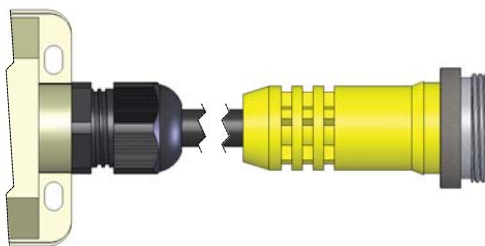
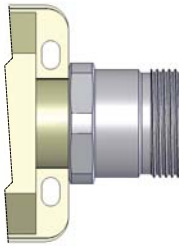
MIN Receptacle ❖ MIN Plug ❖ M23 Receptacle



MIN Receptacle

MIN Plug

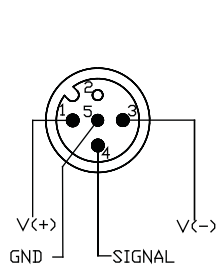
M23 Receptacle



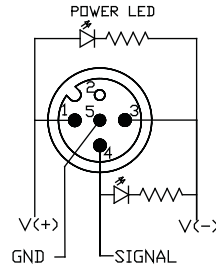
Trunk Connection	Length	Part Number		
		No LED	PNP	NPN
MIN 19 Receptacle	N/A	JDC-040-019-M000	JDC-04P-219-M000	JDC-04N-219-M000
MIN 19 Plug	0.3 M	JDC-040-019-M003	JDC-04P-219-M003	JDC-04N-219-M003
M23 Receptacle	N/A	JDC-040-019-V000	JDC-04P-219-V000	JDC-04N-219-V000

JDC Junction Blocks 10 Port ❖ 4 Pin

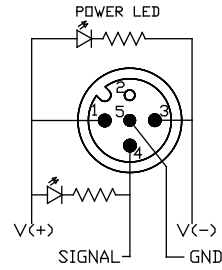
MIN Receptacle ❖ MIN Plug ❖ M23 Receptacle



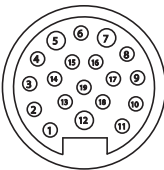
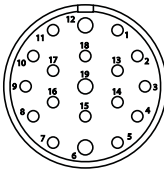
No LED Version



PNP Version

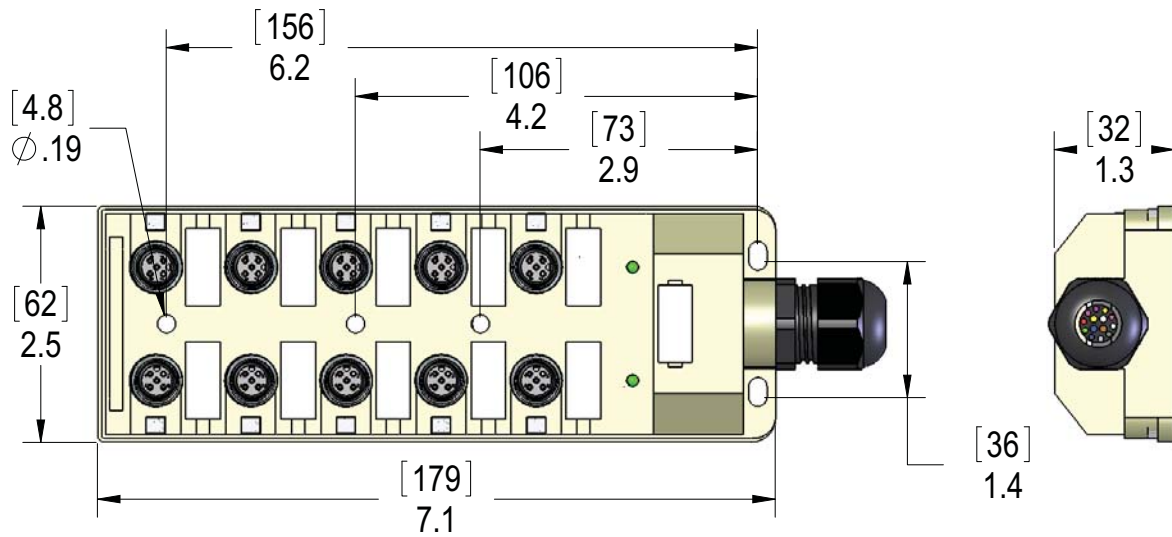


NPN Version

Function	MIN-19 Receptacle & Plug Version	19 PIN M23 Receptacle Version
		
+ V	PIN #7	PIN #19
- V	PIN #5	PIN #6
Ground	PIN #12	PIN #12
PORT 1 PIN 4	PIN #15	PIN #15
PORT 2 PIN 4	PIN #6	PIN #5
PORT 3 PIN 4	PIN #16	PIN #16
PORT 4 PIN 4	PIN #3	PIN #3
PORT 5 PIN 4	PIN #17	PIN #17
PORT 6 PIN 4	PIN #2	PIN #2
PORT 7 PIN 4	PIN #11	PIN #11
PORT 8 PIN 4	PIN #1	PIN #1
PORT 9 PIN 4	PIN #10	PIN #7
PORT 10 PIN 4	PIN #18	PIN #4
Mating Plug for Receptacle or Plug	MIN-19FP-xx	MCV-19FP-xx

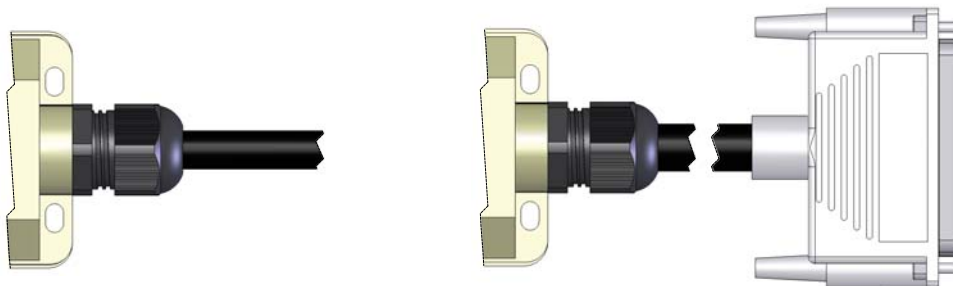
JDC Junction Blocks 10 Port ❖ 5 Pin

Cable ❖ D-Sub



Cable

D-Sub

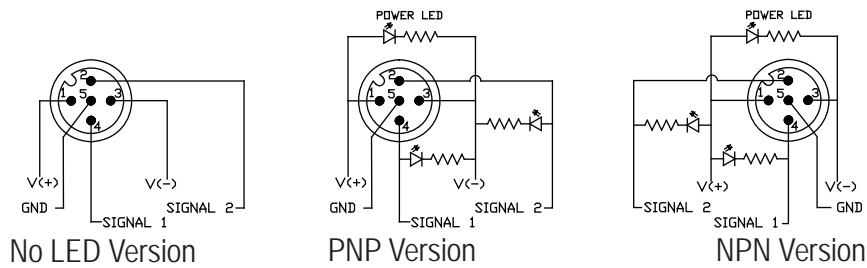


Trunk Connection	Length	Part Number		
		No LED	PNP	NPN
Cable	5 M	JDC-050-024-C050	JDC-05P-224-C050	JDC-05N-224-C050
	10 M	JDC-050-024-C100	JDC-05P-224-C100	JDC-05N-224-C100
25 PIN D-SUB	0.3 M	JDC-050-025-D003	JDC-05P-225-D003	JDC-05N-225-D003
	6 M	JDC-050-025-D060	JDC-05P-225-D060	JDC-05N-225-D060

Other cable lengths are available, please consult the factory.

JDC Junction Blocks 10 Port ❖ 5 Pin

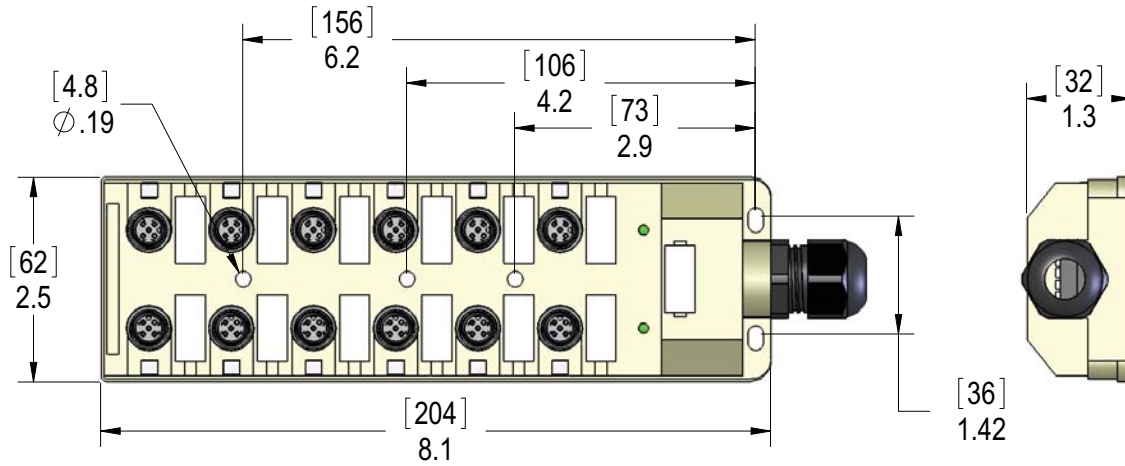
Cable ❖ D-Sub



Function	Cable Version	25 PIN Male D-SUB
	Cable O.D. 0.47"	
+ V	Brown & Brown/White	PIN #22 & #23
- V	Blue	PIN #24 & #25
Ground	Green/Yellow	Shield
PORT 1 PIN 2	Gray/Pink	PIN #2
PORT 1 PIN 4	White	PIN #1
PORT 2 PIN 2	Red/Blue	PIN #4
PORT 2 PIN 4	Green	PIN #3
PORT 3 PIN 2	White/Green	PIN #6
PORT 3 PIN 4	Yellow	PIN #5
PORT 4 PIN 2	Brown/Green	PIN #8
PORT 4 PIN 4	Gray	PIN #7
PORT 5 PIN 2	White/Yellow	PIN #10
PORT 5 PIN 4	Pink	PIN #9
PORT 6 PIN 2	Yellow/Brown	PIN #12
PORT 6 PIN 4	Red	PIN #11
PORT 7 PIN 2	White/Gray	PIN #14
PORT 7 PIN 4	Black	PIN #13
PORT 8 PIN 2	Gray/Brown	PIN #16
PORT 8 PIN 4	Violet	PIN #15
PORT 9 PIN 2	White/Red	PIN #18
PORT 9 PIN 4	White/Pink	PIN #17
PORT10 PIN 2	Brown/Red	PIN #20
PORT 10 PIN 4	Pink/Brown	PIN #19

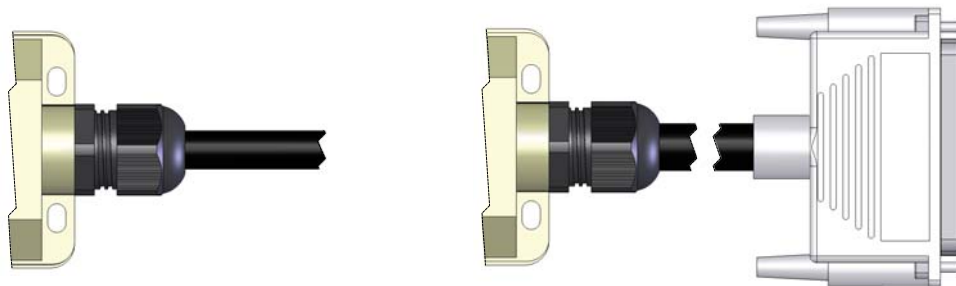
JDC Junction Blocks 12 Port ❖ 4 Pin

Cable ❖ D-Sub



Cable

D-Sub

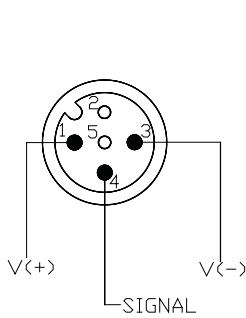


Trunk Connection	Length	Part Number		
		No LED	PNP	NPN
Cable	5 M	JDC-240-016-C050	JDC-24P-216-C050	JDC-24N-216-C050
	10 M	JDC-240-016-C100	JDC-24P-216-C100	JDC-24N-216-C100
25 PIN D-SUB	0.3 M	JDC-240-025-D003	JDC-24P-225-D003	JDC-24N-225-D003
	6 M	JDC-240-025-D060	JDC-24P-225-D060	JDC-24N-225-D060

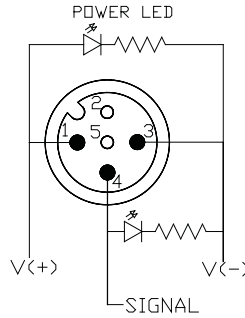
Other cable lengths are available, please consult the factory.

JDC Junction Blocks 12 Port ❖ 4 Pin

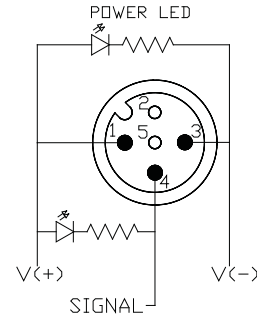
Cable ❖ D-Sub



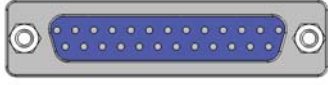
No LED Version



PNP Version



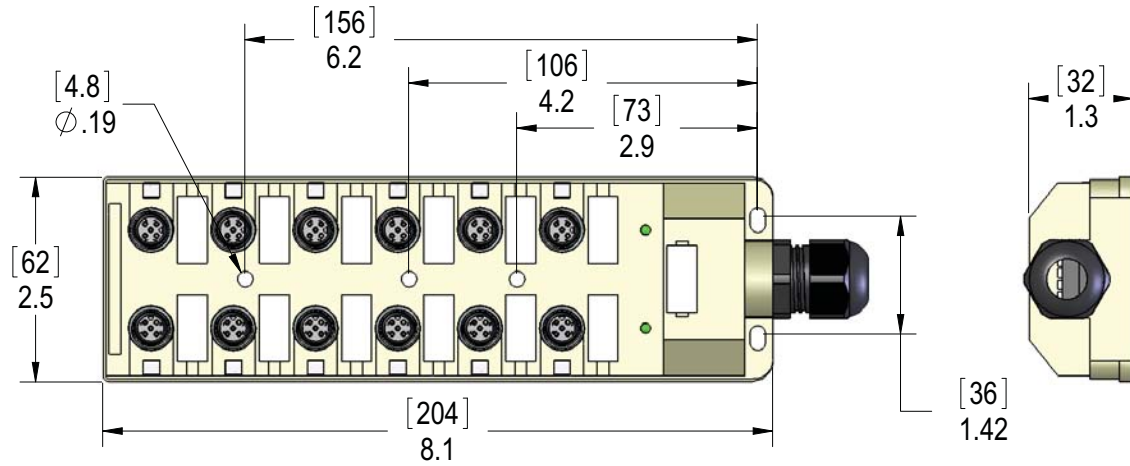
NPN Version

Function	Cable Version	25 PIN Male D-SUB
	Cable O.D. 0.40"	
+ V	Brown	PIN #22 & #23
- V	Blue	PIN #24 & #25
Ground	Green/Yellow	Shield
PORT 1 PIN 4	White	PIN #1
PORT 2 PIN 4	Green	PIN #2
PORT 3 PIN 4	Yellow	PIN #3
PORT 4 PIN 4	Gray	PIN #4
PORT 5 PIN 4	Pink	PIN #5
PORT 6 PIN 4	Red	PIN #6
PORT 7 PIN 4	Black	PIN #7
PORT 8 PIN 4	Violet	PIN #8
PORT 9 PIN 4	Gray/Pink	PIN #9
PORT 10 PIN 4	Red/Blue	PIN #10
PORT 11 PIN 4	White/Green	PIN #11
PORT 12 PIN 4	Brown/Green	PIN #12

JDC Junction Blocks

JDC Junction Blocks 12 Port ❖ 4 Pin

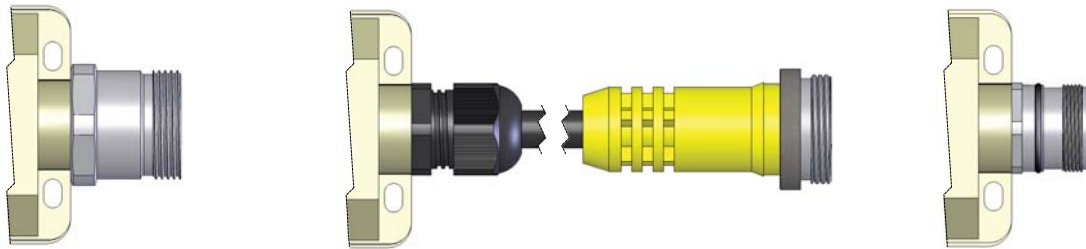
MIN Receptacle ❖ MIN Plug ❖ M23 Receptacle



MIN Receptacle

MIN Plug

M23 Receptacle

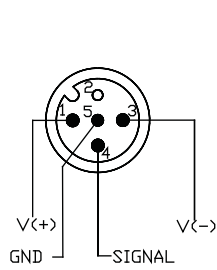


Trunk Connection	Length	Part Number		
		No LED	PNP	NPN
MIN 19 Receptacle	N/A	JDC-240-019-M000	JDC-24P-219-M000	JDC-24N-219-M000
MIN 19 Plug	0.3 M	JDC-240-019-M003	JDC-24P-219-M003	JDC-24N-219-M003
M23 Receptacle	N/A	JDC-240-019-V000	JDC-24P-219-V000	JDC-24N-219-V000

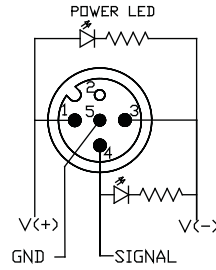
JDC Junction Blocks

JDC Junction Blocks 12 Port ❖ 4 Pin

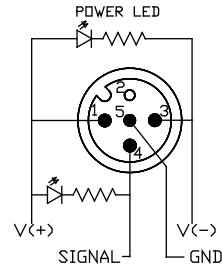
MIN Receptacle ❖ MIN Plug ❖ M23 Receptacle



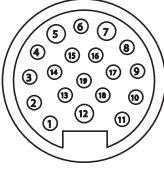
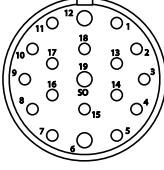
No LED Version



PNP Version

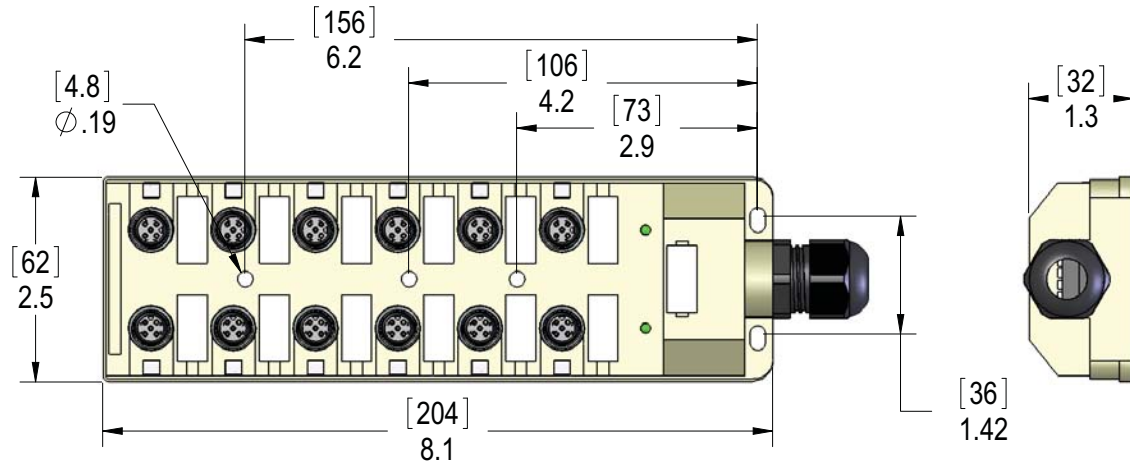


NPN Version

Function	MIN-19 Receptacle & Plug Version	19 PIN M23 Receptacle Version
		
+ V	PIN #7	PIN #19
- V	PIN #5	PIN #6
Ground	PIN #12	PIN #12
PORT 1 PIN 4	PIN #15	PIN #15
PORT 2 PIN 4	PIN #6	PIN #5
PORT 3 PIN 4	PIN #16	PIN #16
PORT 4 PIN 4	PIN #3	PIN #3
PORT 5 PIN 4	PIN #17	PIN #17
PORT 6 PIN 4	PIN #2	PIN #2
PORT 7 PIN 4	PIN #11	PIN #11
PORT 8 PIN 4	PIN #1	PIN #1
PORT 9 PIN 4	PIN #10	PIN #7
PORT 10 PIN 4	PIN #18	PIN #4
PORT 11 PIN 2	PIN #9	PIN #8
PORT 12 PIN 4	PIN #13	PIN #14
Mating Plug for Receptacle or Plug	MINP-19FP-xx	MCV-19FP-xx

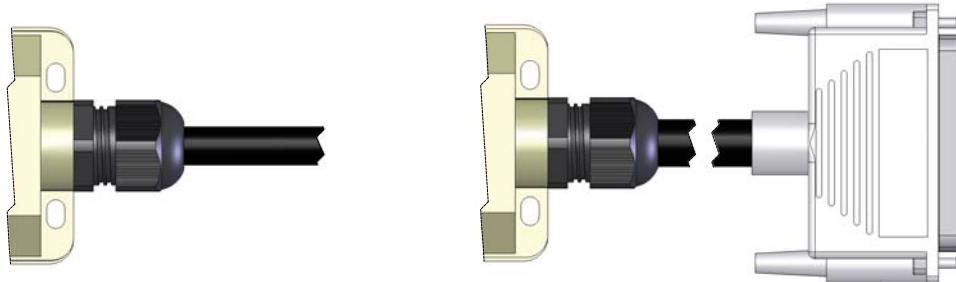
JDC Junction Blocks 12 Port ❖ 5 Pin

Cable ❖ D-Sub



Cable

D-Sub



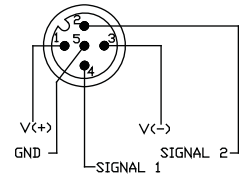
Trunk Connection	Length	Part Number		
		No LED	PNP	NPN
Cable	5 M	JDC-250-028-C050	JDC-25P-228-C050	JDC-25N-228-C050
	10 M	JDC-250-028-C100	JDC-25P-228-C100	JDC-25N-228-C100
37 PIN D-SUB	0.3 M	JDC-250-037-D003	JDC-25P-237-D003	JDC-25N-237-D003
	6 M	JDC-250-037-D060	JDC-25P-237-D060	JDC-25N-237-D060

JDC Junction Blocks

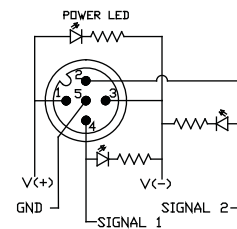
JDC Junction Blocks 12 Port ❖ 5 Pin

Cable ❖ D-Sub

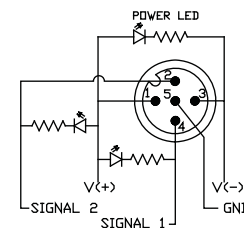
Function	Cable Version	37 PIN Male D-SUB
	Cable O.D. 0.47"	
+ V	Brown & Brown/White	PIN #34 & #35
- V	Blue	PIN #36 & #37
Ground	Green/Yellow	Shield
PORT 1 PIN 2	Gray/Pink	PIN #2
PORT 1 PIN 4	White	PIN #1
PORT 2 PIN 2	Red/Blue	PIN #4
PORT 2 PIN 4	Green	PIN #3
PORT 3 PIN 2	White/Green	PIN #6
PORT 3 PIN 4	Yellow	PIN #5
PORT 4 PIN 2	Brown/Green	PIN #8
PORT 4 PIN 4	Gray	PIN #7
PORT 5 PIN 2	White/Yellow	PIN #10
PORT 5 PIN 4	Pink	PIN #9
PORT 6 PIN 2	Yellow/Brown	PIN #12
PORT 6 PIN 4	Red	PIN #11
PORT 7 PIN 2	White/Gray	PIN #14
PORT 7 PIN 4	Black	PIN #13
PORT 8 PIN 2	Gray/Brown	PIN #16
PORT 8 PIN 4	Violet	PIN #15
PORT 9 PIN 2	White/Red	PIN #18
PORT 9 PIN 4	White/Pink	PIN #17
PORT10 PIN 2	Brown/Red	PIN #20
PORT 10 PIN 4	Pink/Brown	PIN #19
PORT 11 PIN 2	White/Black	PIN #22
PORT 11 PIN 4	White/Blue	PIN #21
PORT 12 PIN 2	Brown/Black	PIN #24
PORT 12 PIN 4	Brown/Blue	PIN #23



No LED Version



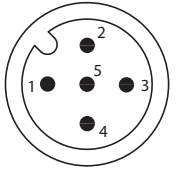
PNP Version



NPN Version

JDC Panel Mount Junction Blocks

10 - 5 Pole MDC ❖ 3 Pin Pluggable Power Connector ❖ 25 Pin D-Sub

Face View of Female MDC	# of Poles	Rating	Part Number
	5	300V 3A	D32-10MDC-DB25

Materials:

Plate: Stainless Steel

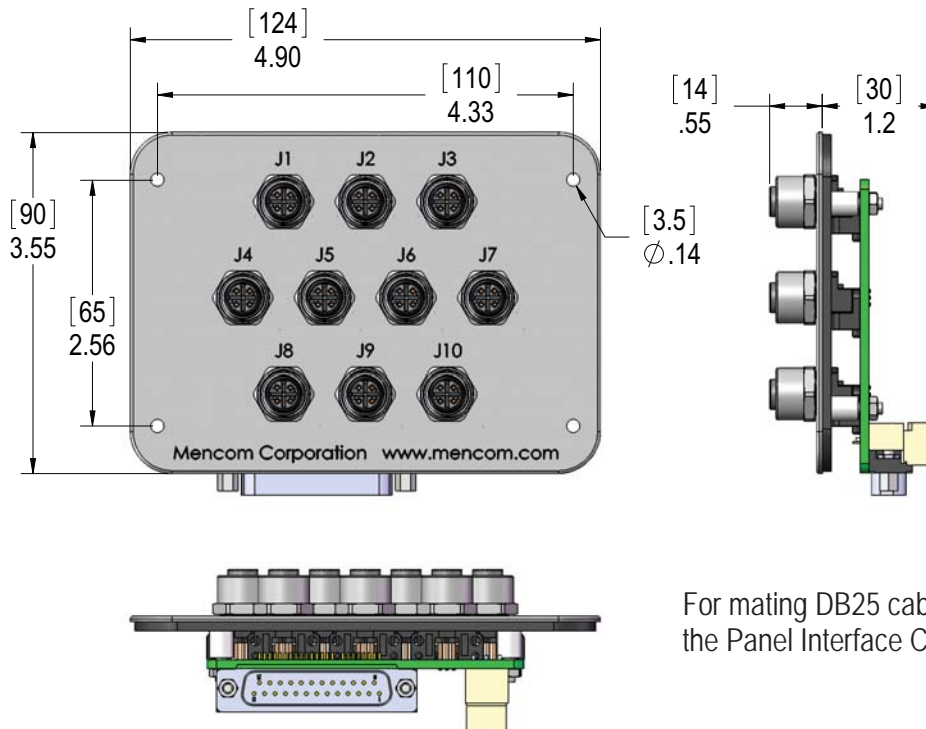
Gasket: NBR

10 - 5 Pin Female MDC Receptacles

3 Pin pluggable power connector
(for alternative to DB25 pins 21 - 25)

25 Pin D-Sub male connector

Wiring			
PORT #	PIN #	DB25 PIN #	3 PIN Pluggable PIN #
ALL PORTS	1	23 & 24	V+
ALL PORTS	3	21 & 22	V-
ALL PORTS	5	25	Ground
J1	4	1	
J1	2	2	
J2	4	3	
J2	2	4	
J3	4	5	
J3	2	6	
J4	4	7	
J4	2	8	
J5	4	9	
J5	2	10	
J6	4	11	
J6	2	12	
J7	4	13	
J7	2	14	
J8	4	15	
J8	2	16	
J9	4	17	
J9	2	18	
J10	4	19	
J10	2	20	

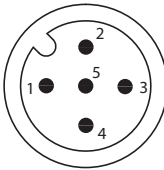


For mating DB25 cable, see page W-17 in the Panel Interface Connector Section.

JDC Junction Blocks

JDC Panel Mount Junction Blocks

10 - 5 Pole MDC ❖ 3 Pin Pluggable Power Connector ❖ 20 Pin Ribbon Cable

Face View of Female MDC	# of Poles	Rating	Part Number
	5	300V 3A	D32-10MDC-RC20

Materials:

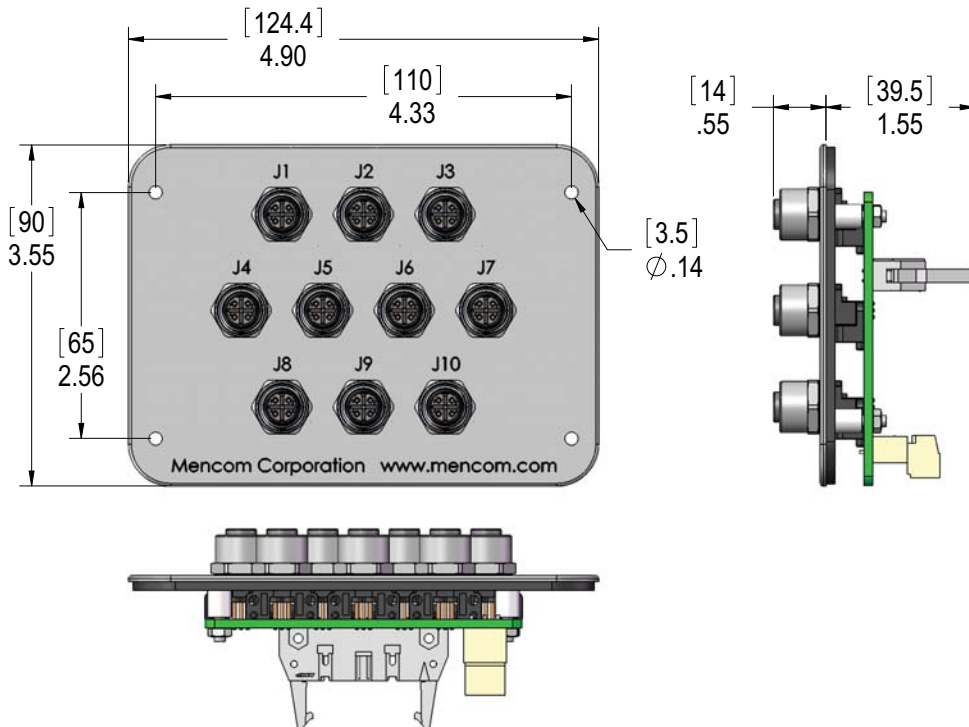
Plate: Stainless Steel
Gasket: NBR

10 - 5 Pin Female MDC Receptacles

3 Pin pluggable power connector

20 Pin Ribbon Cable

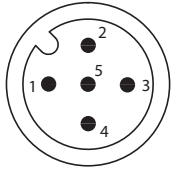
Wiring			
PORT #	PIN #	20 PIN Ribbon Cable	3 PIN Pluggable PIN #
ALL PORTS	1		V+
ALL PORTS	3		V-
ALL PORTS	5		Ground
J1	4	1	
J1	2	2	
J2	4	3	
J2	2	4	
J3	4	5	
J3	2	6	
J4	4	7	
J4	2	8	
J5	4	9	
J5	2	10	
J6	4	11	
J6	2	12	
J7	4	13	
J7	2	14	
J8	4	15	
J8	2	16	
J9	4	17	
J9	2	18	
J10	4	19	
J10	2	20	



JDC Junction Blocks

JDC Panel Mount Junction Block

10 - 5 Pole MDC ❖ 3 Pin Pluggable Power Connector ❖ Terminal Block

Face View of Female MDC	# of Poles	Rating	Part Number
	5	300V 3A	D32-10MDC-TB23

Materials:

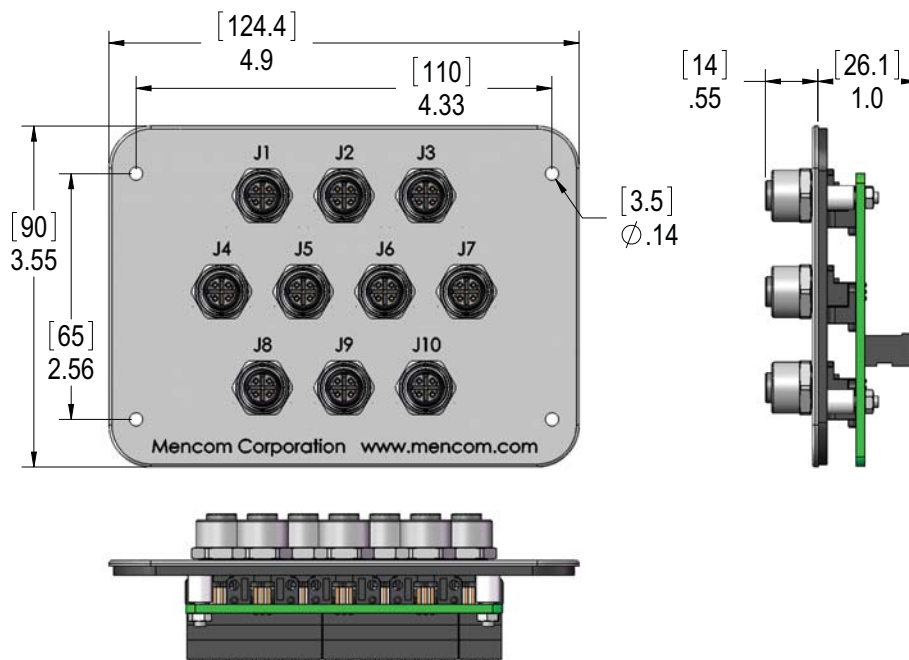
Plate: Stainless Steel
Gasket: NBR

10 - 5 Pin Female MDC Receptacles

23 Pin Push Button Spring-Clamp Terminal Blocks

Wiring		
PORT #	PIN #	Terminal Block # and PIN #
ALL PORTS	1	V+
ALL PORTS	3	V-
ALL PORTS	5	Ground
J1	4	2 - J1
J1	2	3 - J1
J2	4	2 - J2
J2	2	3 - J2
J3	4	2 - J3
J3	2	3 - J3
J4	4	2 - J4
J4	2	3 - J4
J5	4	2 - J5
J5	2	3 - J5
J6	4	2 - J6
J6	2	3 - J6
J7	4	2 - J7
J7	2	3 - J7
J8	4	2 - J8
J8	2	3 - J8
J9	4	2 - J9
J9	2	3 - J9
J10	4	2 - J10
J10	2	3 - J10

JDC Junction Blocks



JDC Specifications

JDC Junction Block Specifications:

Ratings:	3 A per Connector 8 A per Block
Voltage:	Without LEDs: 0-150 Volt Max With LEDs: 48 VDC Max in accordance with LED Configuration
Body:	Polypropylene
Inserts:	Polyamide
Coupling Nuts:	4, 6, & 8 Port: PBT 10 & 12 Port: Nickel Plated Brass
O-Ring:	BUNA-N
LED Lens:	Polycarbonate
Contacts:	Copper Alloy with Gold Plating
Marker Tags:	Polyamide (supplied on all units)

JDC Panel Mounted Junction Block Specifications:

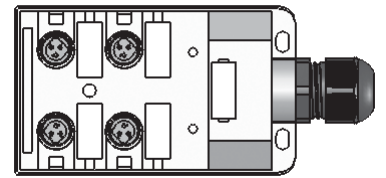
Ratings:	3 A per Connector 8 A per Block
Body:	Stainless Steel
Inserts:	Polyamide
Coupling Nuts:	Nickel Plated Brass
O-Ring:	BUNA-N
Contacts:	Copper Alloy with Gold Plating
Gasket:	Closed Cell PVC/NBR



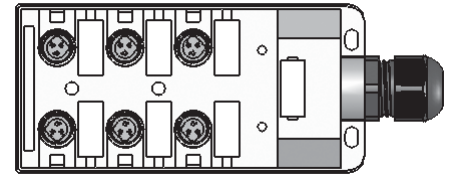


JAC Junction Blocks Micro-AC Series

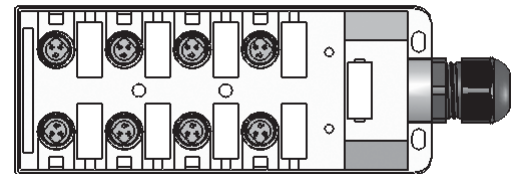
4 Port..... 4-5



6 Port..... 6-7



8 Port..... 8-9

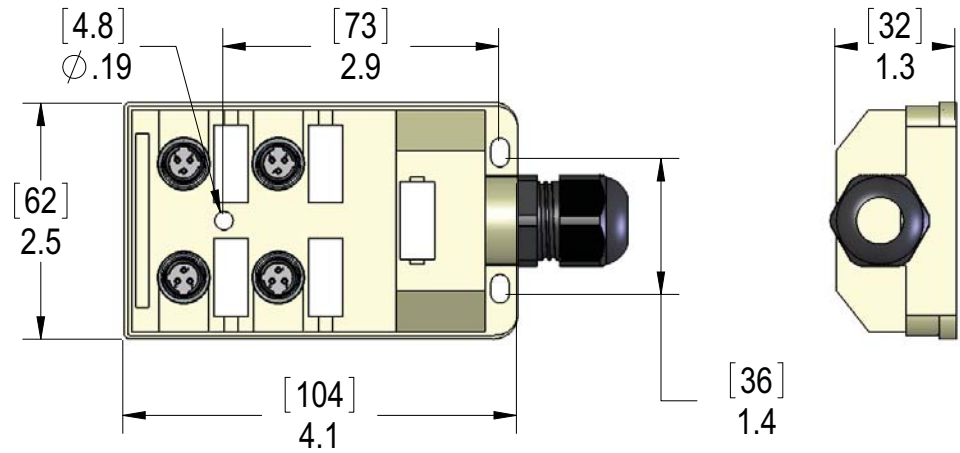


JAC Junction Blocks

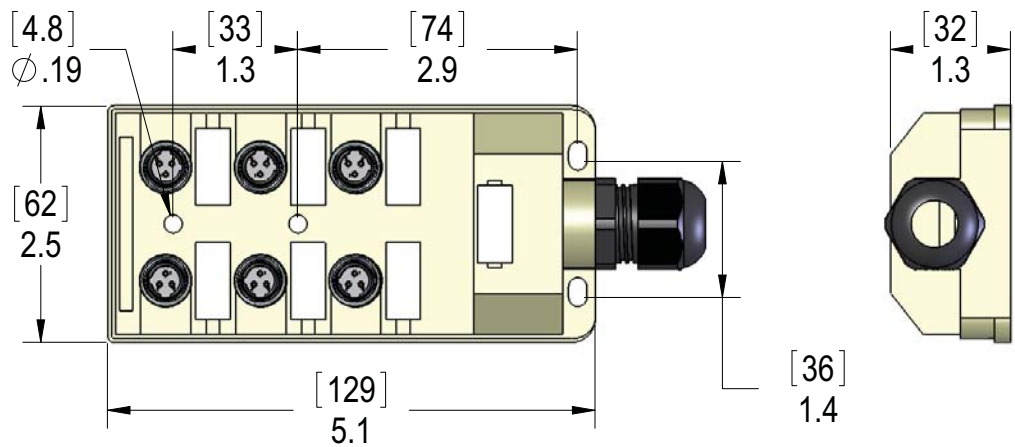
JAC Junction Blocks

4, 6, & 8 Port ❖ 3 Pin

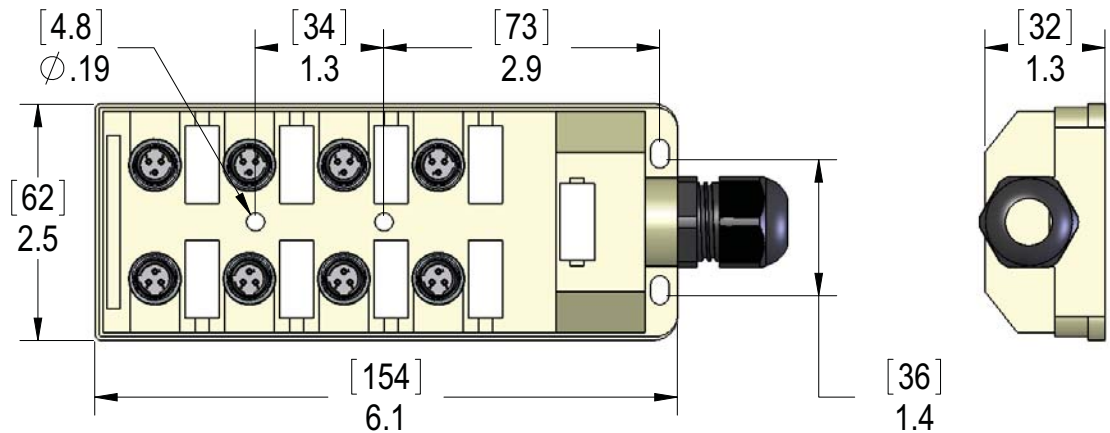
4 Port



6 Port



8 Port

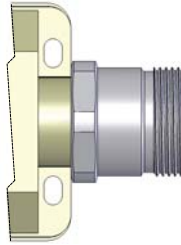


JAC Junction Blocks

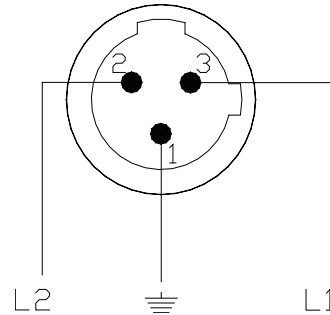
JAC Junction Blocks

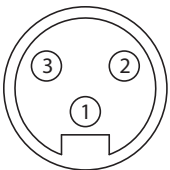
4, 6, & 8 Port ❖ 3 Pin

MIN Receptacle



Port Connection



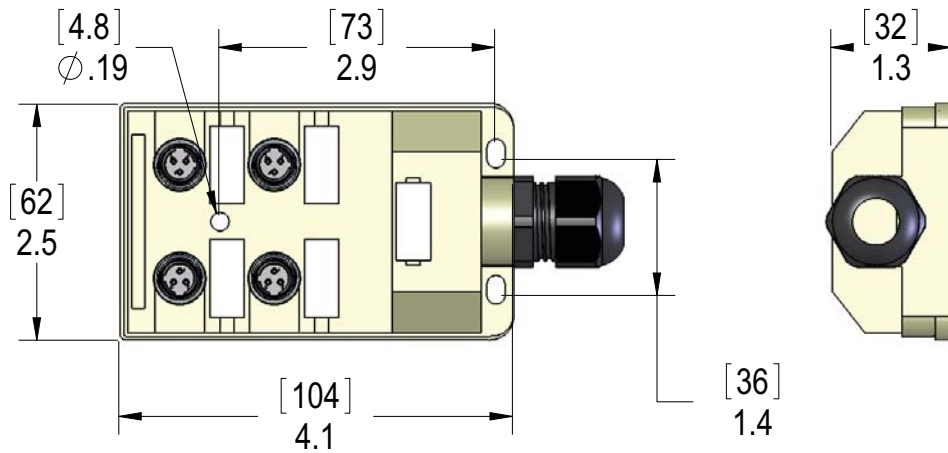
24 - 120 VDC				
Face View of Trunk Male Connection	Trunk Connection	Number of Ports	JAC Version Part Numbers	Mating Cable Part Number
	MIN Receptacle	4 6 8	JAC-430-003-M000 JAC-630-003-M000 JAC-830-003-M000	MIN-3FP-ZZ

"ZZ" is equal to the cable length.

PIN Connection	
MIN PIN #	All Ports PIN #
1	1 (Ground)
2	2 (L2)
3	3 (L1)

JAC Junction Blocks 4 Port ❖ 3 Pin

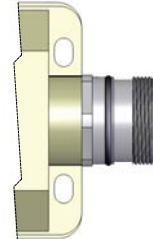
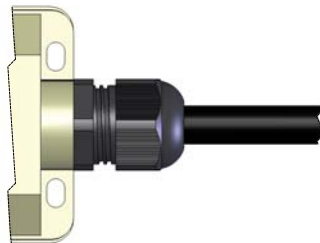
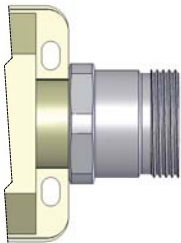
MIN Receptacle ❖ Cable ❖ M23 Receptacle



MIN Receptacle

Cable

M23 Receptacle

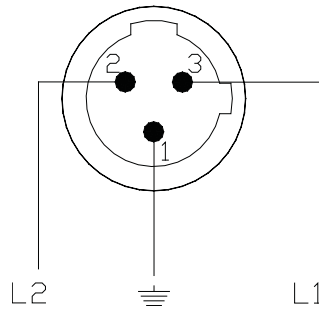


JAC Junction Blocks

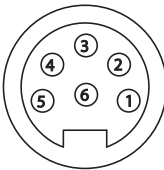
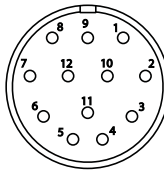
24 - 120 Volt		
Trunk Connection	Length	Part Number
		No LED
MIN-6MR Receptacle	N/A	JAC-430-006-M000
Cable	5 M	JAC-430-006-C050
	10 M	JAC-430-006-C100
M23 Receptacle	N/A	JAC-430-012-V000

JAC Junction Blocks 4 Port ❖ 3 Pin

MIN Receptacle ❖ Cable ❖ M23 Receptacle



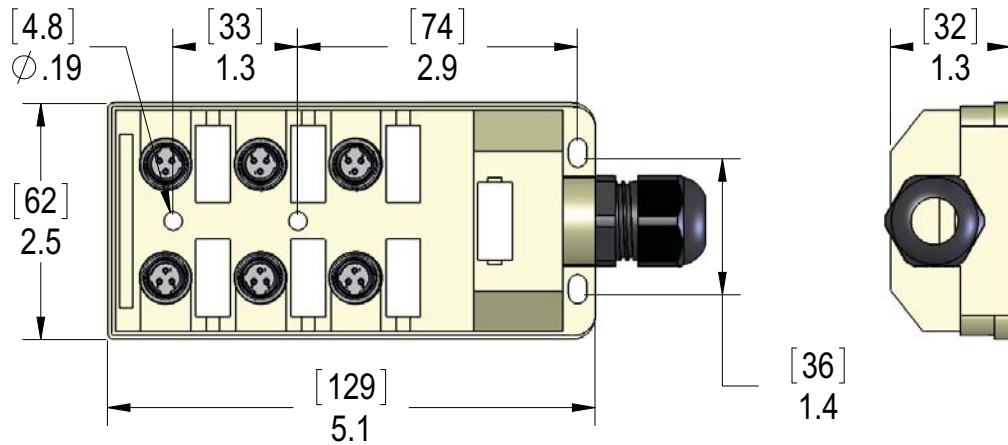
No LED Version

Function	MIN-6MR Receptacle Version	12 Pin M23 Receptacle Version	Cable
			Cable O.D. 0.32"
Ground	PIN #3	PIN #7	Green/Yellow
ALL PORTS PIN 3 (L1)	PIN #1	PIN #5	White
PORT 1 PIN 2 (L2)	PIN #2	PIN #6	Red
PORT 2 PIN 2 (L2)	PIN #4	PIN #1	Orange
PORT 3 PIN 2 (L2)	PIN #5	PIN #4	Black
PORT 4 PIN 2 (L2)	PIN #6	PIN #2	Blue
Mating Plug	MIN-6FP-ZZ	MCV-12FP-ZZ	

"ZZ" is equal to the cable length.

JAC Junction Blocks 6 Port ❖ 3 Pin

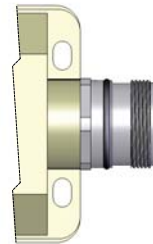
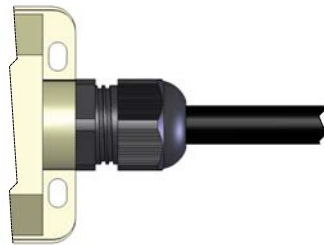
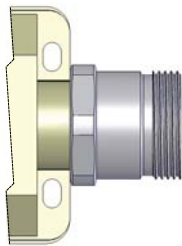
MIN Receptacle ❖ Cable ❖ M23 Receptacle



MIN Receptacle

Cable

M23 Receptacle

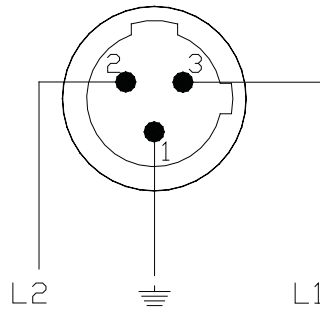


JAC Junction Blocks

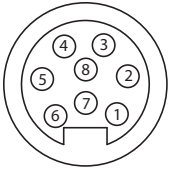
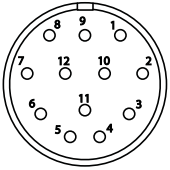
24 - 120 Volt		
Trunk Connection	Length	Part Number
		No LED
MIN-8MR Receptacle	N/A	JAC-630-008-M000
Cable	5 M	JAC-630-008-C050
	10 M	JAC-630-008-C100
M23 Receptacle	N/A	JAC-630-012-V000

JAC Junction Blocks 6 Port ❖ 3 Pin

MIN Receptacle ❖ Cable ❖ M23 Receptacle



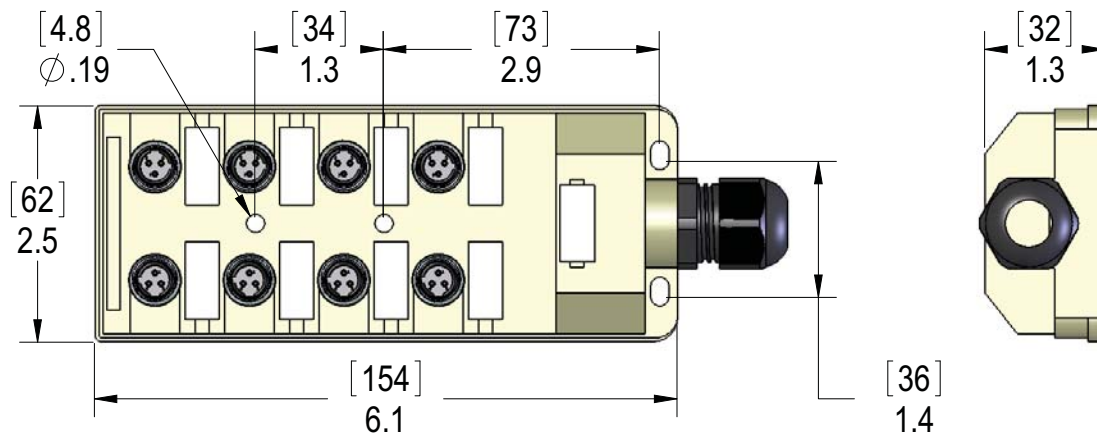
No LED Version

Function	MIN-8MR Receptacle Version	12 Pin M23 Receptacle Version	Cable
			Cable O.D. 0.35"
Ground	PIN #7	PIN #7	Green/Yellow
ALL PORTS PIN 3 (L1)	PIN #5	PIN #5	White
PORT 1 PIN 2 (L2)	PIN #6	PIN #6	Red
PORT 2 PIN 2 (L2)	PIN #1	PIN #1	Orange
PORT 3 PIN 2 (L2)	PIN #4	PIN #4	Black
PORT 4 PIN 2 (L2)	PIN #2	PIN #2	Blue
PORT 5 PIN 2 (L2)	PIN #3	PIN #3	White/Black
PORT 6 PIN 2 (L2)	PIN #8	PIN #8	Red/Black
Mating Plug	MIN-8FPX-xx	MCV-12FP-ZZ	

"ZZ" is equal to the cable length.

JAC Junction Blocks 8 Port ❖ 3 Pin

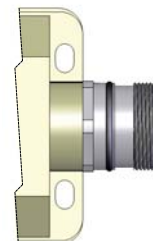
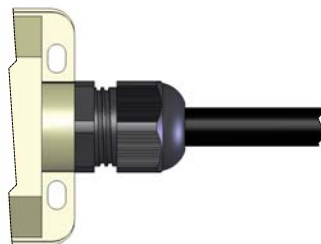
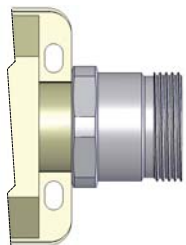
MIN Receptacle ❖ Cable ❖ M23 Receptacle



MIN Receptacle

Cable

M23 Receptacle

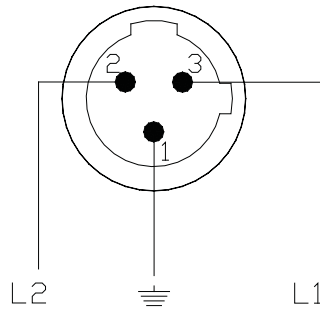


JAC Junction Blocks

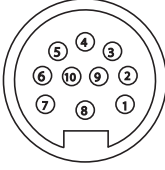
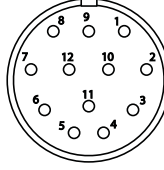
24 - 120 Volt		
Trunk Connection	Length	Part Number
		No LED
MIN-10MR Receptacle	N/A	JAC-830-010-M000
Cable	5 M 10 M	JAC-830-010-C050 JAC-830-010-C100
M23 Receptacle	N/A	JAC-830-012-V000

JAC Junction Blocks 8 Port ❖ 3 Pin

MIN Receptacle ❖ Cable ❖ M23 Receptacle



No LED Version

Function	MIN-10MR Receptacle Version	12 Pin M23 Receptacle Version	Cable
			Cable O.D. 0.40"
Ground	PIN #8	PIN #7	Green/Yellow
ALL PORTS PIN 3 (L1)	PIN #10	PIN #5	White
PORT 1 PIN 2 (L2)	PIN #7	PIN #6	Red
PORT 2 PIN 2 (L2)	PIN #1	PIN #1	Orange
PORT 3 PIN 2 (L2)	PIN #9	PIN #4	Black
PORT 4 PIN 2 (L2)	PIN #2	PIN #2	Blue
PORT 5 PIN 2 (L2)	PIN #3	PIN #3	White/Black
PORT 6 PIN 2 (L2)	PIN #4	PIN #8	Red/Black
PORT 7 PIN 2 (L2)	PIN #5	PIN #9	Green/Black
PORT 8 PIN 2 (L2)	PIN #6	PIN #10	Orange/Black
Mating Plug	MIN-10FPX-ZZ	MCV-12FP-ZZ	

"ZZ" is equal to the cable length.





JAN Junction Blocks NAN Series

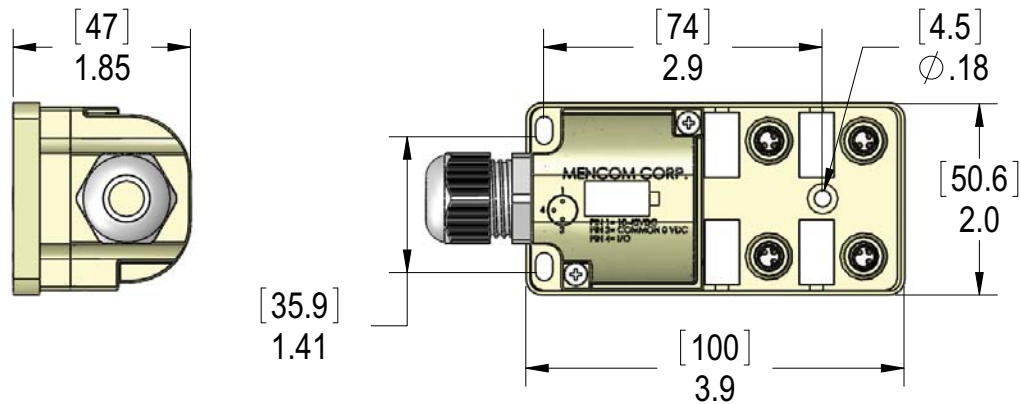
4 Port 2-3

6 Port 4-5

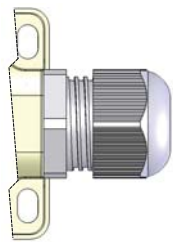
8 Port 6-7

JAN Junction Blocks 4 Port ❖ 3 Pin

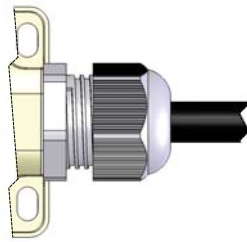
Field Wireable ❖ Cable ❖ MIN Receptacle ❖ MDC Receptacle



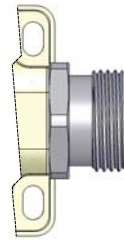
Field Wireable



Cable



MIN Receptacle



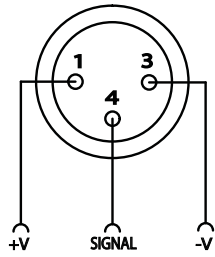
MDC Receptacle



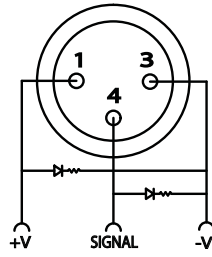
Trunk Connection	Length	Part Number		
		No LED	PNP	NPN
Field Wireable	N/A	JAN-430-006-F000	JAN-43P-206-F000	JAN-43N-206-F000
Cable	2 M	JAN-430-006-C020	JAN-43P-206-C020	JAN-43N-206-C020
	5 M	JAN-430-006-C050	JAN-43P-206-C050	JAN-43N-206-C050
	10 M	JAN-430-006-C100	JAN-43P-206-C100	JAN-43N-206-C100
MIN-6MR Receptacle	N/A	JAN-430-006-M000	JAN-43P-206-M000	JAN-43N-206-M000
MDC-8MR Receptacle	N/A	JAN-430-008-E000	JAN-43P-208-E000	JAN-43N-208-E000

JAN Junction Blocks 4 Port ❖ 3 Pin

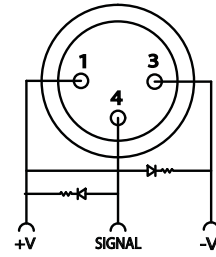
Field Wireable ❖ Cable ❖ MIN Receptacle ❖ MDC Receptacle



No LED Version



PNP Version



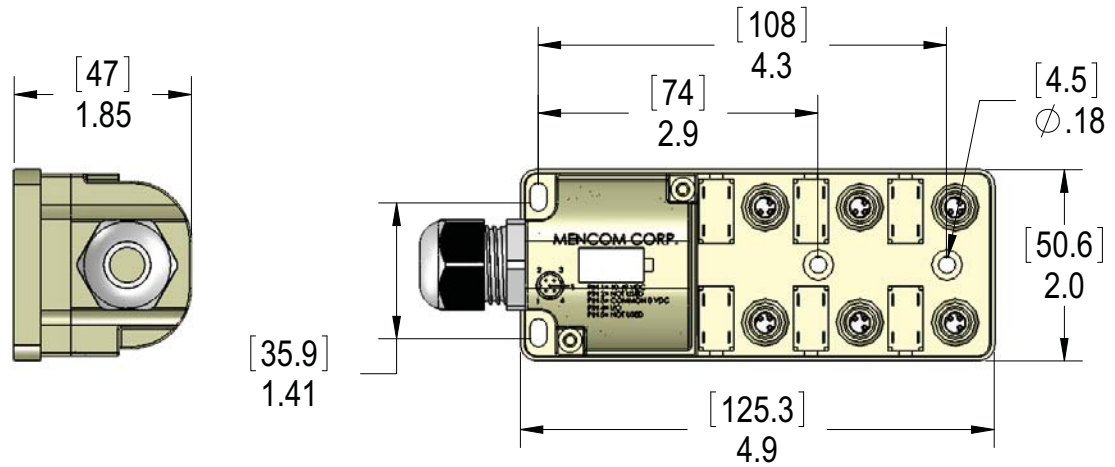
NPN Version

Function	MIN-6MR Receptacle Version	MDC-8MR Receptacle Version	Cable
			Cable O.D. 8.9 mm
+ V	PIN #6	PIN #5	Brown
- V	PIN #3	PIN #1	Blue
PORT 1 PIN 4 (L4)	PIN #2	PIN #2	White
PORT 2 PIN 4 (L4)	PIN #1	PIN #3	Green
PORT 3 PIN 4 (L4)	PIN #5	PIN #4	Yellow
PORT 4 PIN 4 (L4)	PIN #4	PIN #2	Gray
Mating Plug	MIN-6FP-ZZ	MDCP-8FP-ZZ	

JAN Junction Blocks

JAN Junction Blocks 6 Port ❖ 3 Pin

Field Wireable ❖ Cable ❖ MIN Receptacle ❖ MDC Receptacle

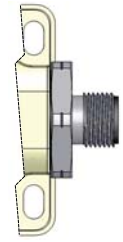
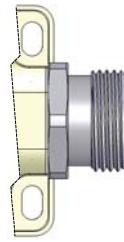
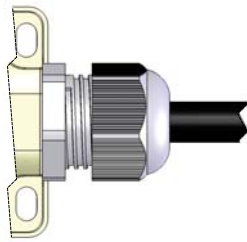
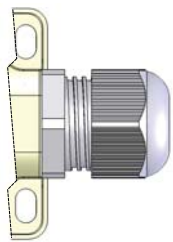


Field Wireable

Cable

MIN Receptacle

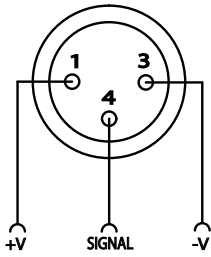
MDC Receptacle



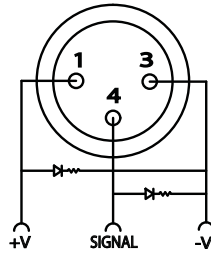
Trunk Connection	Length	Part Number		
		No LED	PNP	NPN
Field Wireable	N/A	JAN-630-008-F000	JAN-63P-208-F000	JAN-63N-208-F000
Cable	2M	JAN-630-008-C020	JAN-63P-208-C020	JAN-63N-208-C020
	5 M	JAN-630-008-C050	JAN-63P-208-C050	JAN-63N-208-C050
	10 M	JAN-630-008-C100	JAN-63P-208-C100	JAN-63N-208-C100
MIN-8MR Receptacle	N/A	JAN-630-008-M000	JAN-63P-208-M000	JAN-63N-208-M000
MDC-8MR Receptacle	N/A	JAN-630-008-E000	JAN-63P-208-E000	JAN-63N-208-E000

JAN Junction Blocks 6 Port ❖ 3 Pin

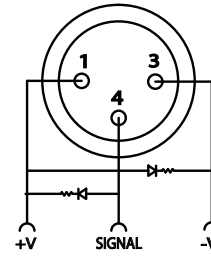
Field Wireable ❖ Cable ❖ MIN Receptacle ❖ MDC Receptacle



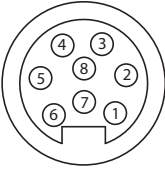
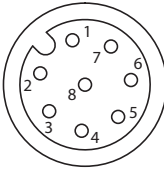
No LED Version



PNP Version

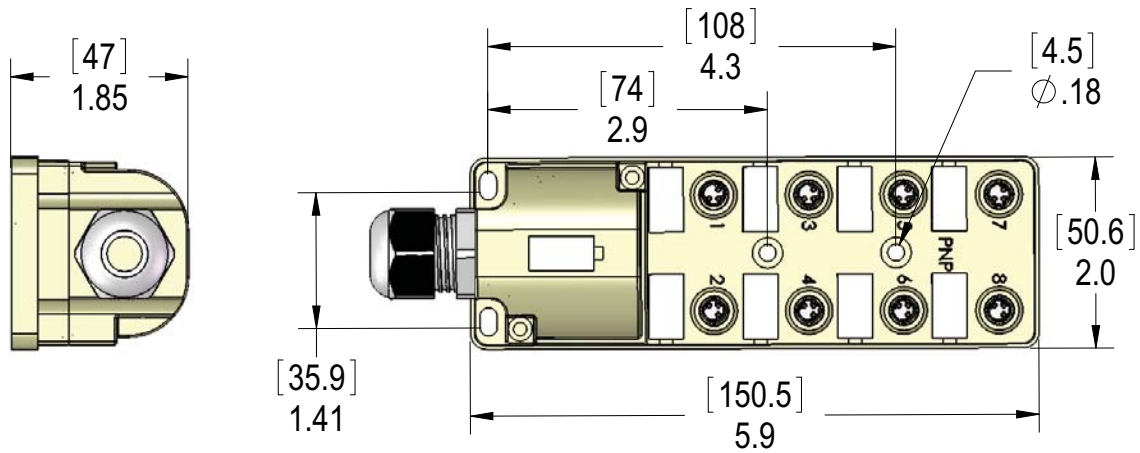


NPN Version

Function	MIN-8MR Receptacle Version	MDC-8MR Receptacle Version	Cable
			Cable O.D. 9.5 mm
+ V	PIN #8	PIN #5	Brown
- V	PIN #7	PIN #7	Blue
PORT 1 PIN 4	PIN #6	PIN #1	White
PORT 2 PIN 4	PIN #5	PIN #2	Green
PORT 3 PIN 4	PIN #4	PIN #3	Yellow
PORT 4 PIN 4	PIN #3	PIN #4	Gray
PORT 5 PIN 4	PIN #2	PIN #6	Pink
PORT 6 PIN 4	PIN #1	PIN #8	Red
Mating Plug	MIN-8FPX-ZZ	MDCP-8FP-ZZ	

JAN Junction Blocks 8 Port ❖ 3 Pin

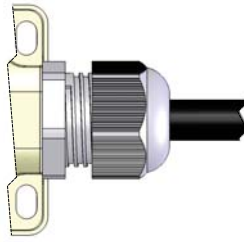
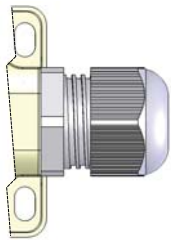
Field Wireable ❖ Cable ❖ MIN Receptacle ❖ MDC Receptacle



Field Wireable

Cable

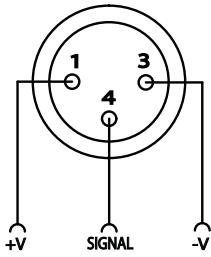
MIN Receptacle



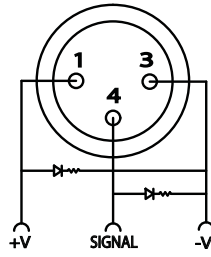
Trunk Connection	Length	Part Number		
		No LED	PNP	NPN
Field Wireable	N/A	JAN-830-010-F000	JAN-83P-210-F000	JAN-83N-210-F000
Cable	2M	JAN-830-010-C020	JAN-83P-210-C020	JAN-83N-210-C020
	5 M	JAN-830-010-C050	JAN-83P-210-C050	JAN-83N-210-C050
	10 M	JAN-830-010-C100	JAN-83P-210-C100	JAN-83N-210-C100
MIN-10MR Receptacle	N/A	JAN-830-010-M000	JAN-83P-210-M000	JAN-83N-210-M000

JAN Junction Blocks 8 Port ❖ 3 Pin

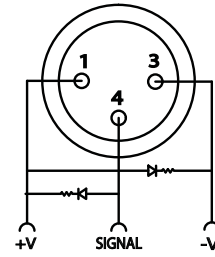
Field Wireable ❖ Cable ❖ MIN Receptacle ❖ MDC Receptacle



No LED Version



PNP Version



NPN Version

Function	MIN-10MR Receptacle Version	Cable
		Cable O.D. 9.5 mm
+ V	PIN #10	Brown
- V	PIN #8	Blue
PORT 1 PIN 4	PIN #7	White
PORT 2 PIN 4	PIN #6	Green
PORT 3 PIN 4	PIN #5	Yellow
PORT 4 PIN 4	PIN #4	Gray
PORT 5 PIN 4	PIN #3	Pink
PORT 6 PIN 4	PIN #2	Red
PORT 7 PIN 4	PIN #1	Black
PORT 8 PIN 4	PIN #9	Violet
Mating Plug	MIN-10FPX-ZZ	





Valve Connectors

Accessories2

DIN Form A.....3-4



DIN Form B.....5



I/S Form B6



DIN Form C7



I/S Form C8



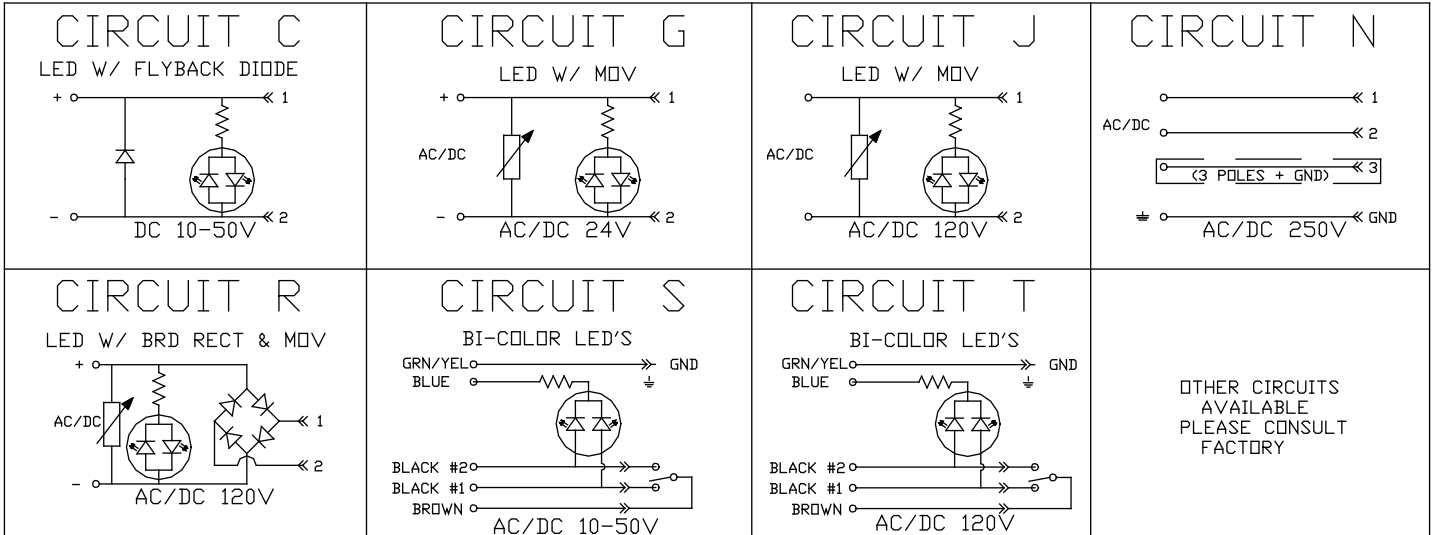
MDC Receptacle & Plug Versions....9-15

Valve Connectors

Solenoid Valve Connectors

Circuit Diagrams ❖ Accessories

Valve Connectors with LEDs and surge suppression aides in diagnostics and protection of equipment.



Male Bases: All connectors are made via solder tabs.

View	# of Poles	Maximum Conductor Size	Maximum Voltage	Material	Part Number
	2 + Ground	16 AWG	250 VAC	Polyamide	VMA-020-00
	3 + Ground	16 AWG	250 VAC	Polyamide	VMA-030-00

Thumb Screws

View	Material	Part Number	Form Style
	Nickel Plated Copper Alloy	V-25TB	Cable Version Form A (VA Series) Cable Version Form B (VB Series) Cable Version Industry Standard B (VD Series) Field Wireable Industry Standard C (VE Series)
	Nickel Plated Copper Alloy	V-30TB	Field Wireable Form A (VA Series) Field Wireable Form B (VB Series) Field Wireable Industry Standard B (VD Series)

DIN Form A (VA Series) Formed Gasket

View	Material	Part Number
	Thermoplastic	V-GPRA

All Valve Connectors come standard with mounting screws and a flat gasket.

Solenoid Valve Connectors

Field Wireable ❖ DIN 43650 ❖ Form A

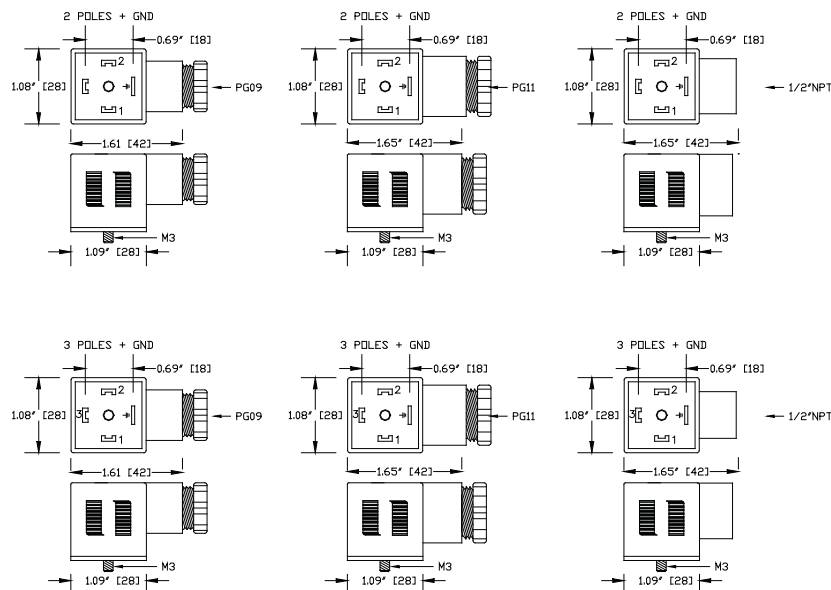


# of Poles	Voltage	Circuitry	Housing Color	Field Wireable Style		
				1/2" NPT	PG9	PG11
				Conduit	6 to 8 mm Cables	8 to 10 mm Cables
2 + Ground	250V AC/DC (maximum)	None	Gray	N/A	VFN-029-00	VFN-021-00
			Black	VAN-022-00	VAN-029-00	VAN-021-00
3 + Ground	250V AC/DC (maximum)	None	Gray	N/A	VFN-039-00	VFN-031-00
			Black	VAN-032-00	VAN-039-00	VAN-031-00
2 + Ground	10-50V DC	LED w/ Flyback Diode	Clear	VAC-022-00	VAC-029-00	VAC-021-00
2 + Ground	24V AC/DC	LED w/ MOV	Clear	VAG-022-00	VAG-029-00	VAG-021-00
2 + Ground	120V AC/DC	LED w/ MOV	Clear	VAJ-022-00	VAJ-029-00	VAJ-021-00
2 + Ground	120V AC/DC	Bridge Rectifier w/ LED & MOV	Clear	VAR-022-00	VAR-029-00	VAR-021-00
3 + Ground	10-50V AC/DC	2-LED Amber & Green	Clear	N/A	VAS-039-00	VAS-031-00
3 + Ground	120V AC/DC	2-LED Amber & Green	Clear	N/A	VAT-039-00	VAT-031-00

The ground position is not applicable for field wireable versions.

Specifications:

- Body: Polyamide
- Contacts: Copper Alloy with Silver Plating
- Gasket: Thermoplastic
- Screw: Steel Zinc Plate
- Range: PG 9 - 6 to 8 mm
PG 11 - 8 to 10 mm
- Temperature: -40°C to 125°C (-40°F to +257°F)
- Protection: IP 65





Solenoid Valve Connectors

Cabled Versions ❖ DIN 43650 ❖ Form A

# of Poles	Voltage	Circuitry	Prewired Versions		
			2 M	5 M	10 M
2 + Ground	250V AC/DC (maximum)	None	VAN-220-00	VAN-520-00	VAN-A20-00
3 + Ground	250V AC/DC (maximum)	None	VAN-230-00**	VAN-530-00**	VAN-A30-00**
2 + Ground	10-50V DC	LED w/ Flyback Diode	VAC-220-00	VAC-520-00	VAC-A20-00
2 + Ground	24V AC/DC	LED w/ MOV	VAG-220-00	VAG-520-00	VAG-A20-00
2 + Ground	120V AC/DC	LED w/ MOV	VAJ-220-00	VAJ-520-00	VAJ-A20-00
2 + Ground	120V AC/DC	Bridge Rectifier w/ LED & MOV	VAR-220-00	VAR-520-00	VAR-A20-00
3 + Ground	10-50V AC/DC	2-LED Amber & Green	VAS-230-00	VAS-530-00	VAS-A30-00
3 + Ground	120V AC/DC	2-LED Amber & Green	VAT-230-00	VAT-530-00	VAT-A30-00

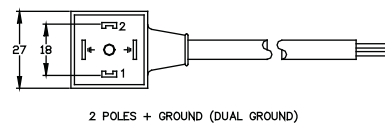
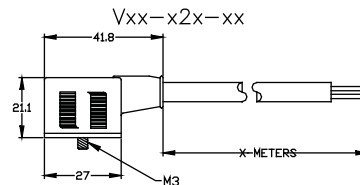
For cables with 3 + Ground, two standard orientations are available. Please refer to the part number system shown above each drawing shown below.

Specifications:

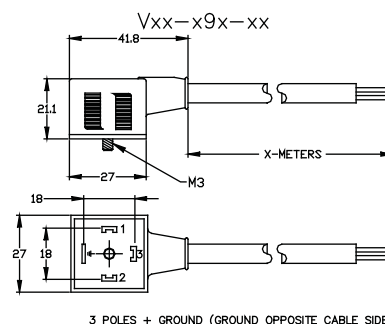
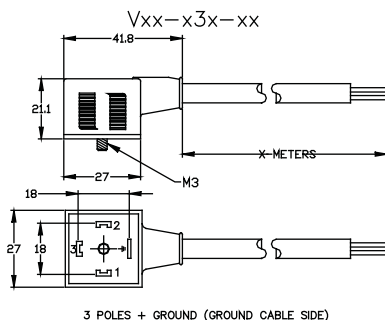
Body: Black Polyamide
 Contacts: Copper Alloy with Silver Plating
 Gasket: Thermoplastic
 Screw: Steel Zinc Plate
 Cable: Black PVC
 2 Pole: 3x18 AWG; Cable O.D.: 0.26"
 3 Pole: 4x18 AWG; Cable O.D.: 0.27"
 Temperature: -40°C to 80°C (-40°F to +176°F)
 Protection: IP 65

Valve Pin #	Color Code	
	2 + Ground	3 + Ground
1	Brown	Brown
2	Blue	Gray*
3	N/A	Black
Ground	Green/Yellow	Green/Yellow

* Formerly Blue



**2 Ground locations available for 3+ Ground versions.



Solenoid Valve Connectors

Field Wireable & Cables ❖ DIN 43650 ❖ Form B



# of Poles	Voltage	Circuitry	Field Wireable		Prewired Versions		
			1/2" NPT Conduit	PG 9 6 to 8 mm	2 M	5 M	10 M
2 + Ground	250V AC/DC (maximum)	None		VGN-029-00 (Gray)	VBN-220-00	VBN-520-00	VBN-A20-00
			VBN-022-00	VBN-029-00 (Black)			
2 + Ground	10-50V DC	LED w/ Flyback Diode	VBC-022-00	VBC--029-00	VBC-220-00	VBC-520-00	VBC-A20-00
2 + Ground	24V AC/DC	LED w/ MOV	VBG-022-00	VBG-029-00	VBG-220-00	VBG-520-00	VBG-A20-00
2 + Ground	120V AC/DC	LED w/ MOV	VBJ-022-00	VBJ-029-00	VBJ-220-00	VBJ-520-00	VBJ-A20-00

The ground position is not applicable for field wireable versions.

Specifications:

- Body: Polyamide
- Contacts: Copper Alloy with Silver Plating
- Insert: Polyamide
- Gasket: Thermoplastic
- Screw: Steel Zinc Plate
- Temperature: -40°C to 80°C (-40°F to +176°F)
- Protection: IP 65

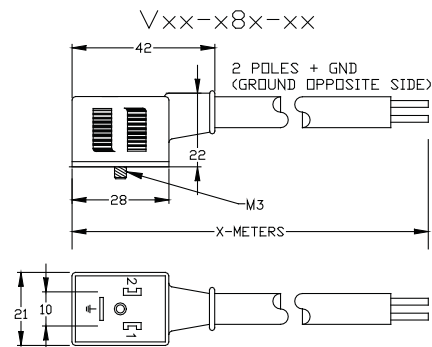
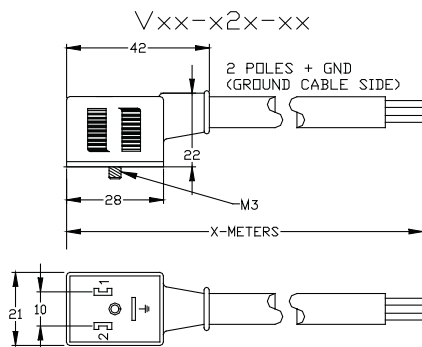
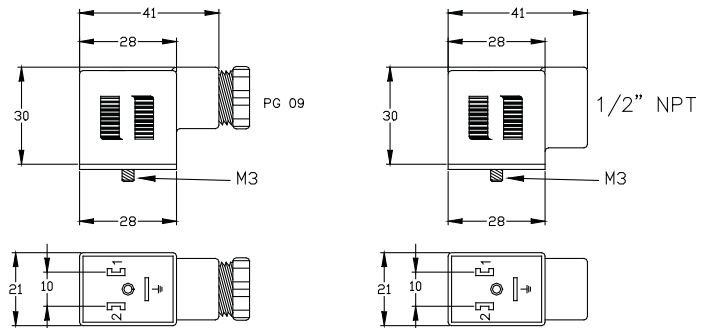
Valve Pin #	Color Code
1	Brown
2	Blue
Ground	Green/Yellow

Field Wireable Specifications:

Cable O.D.: PG 9 - 6 to 8 mm

Cable Version Specifications:

- Body: Black Polyamide
- Cable: Black PVC
- 2 Pole: 3x18 AWG; Cable O.D.: 0.26"





Solenoid Valve Connectors

Field Wireable & Cables ❖ Industry Standard ❖ Form B

# of Poles	Voltage	Circuitry	Field Wireable*		Prewired Versions		
			1/2" NPT Conduit	PG 9 6 to 8 mm	2 M	5 M	10 M
2 + Ground	250V AC/DC (maximum)	None	N/A	VJN-029-00 (Gray)	VDN-220-00	VDN-520-00	VDN-A20-00
			VDN-022-00 (Black)	VDN-029-00 (Black)			
2 + Ground	10-50V DC	LED w/ Flyback Diode	VDC-022-00	VDC-029-00	VDC-220-00	VDC-520-00	VDC-A20-00
2 + Ground	24V AC/DC	LED w/ MOV	VDG-022-00	VDG-029-00	VDG-220-00	VDG-520-00	VDG-A20-00
2 + Ground	120V AC/DC	LED w/ MOV	VDJ-022-00	VDJ-029-00	VDJ-220-00	VDJ-520-00	VDJ-A20-00

The ground position is not applicable for field wireable versions or for the unlighted molded versions. The unlighted molded versions can be plugged onto the coil in either direction. For other molded versions, there are two standard orientations available. Please refer to the part number system shown above each drawing shown below.

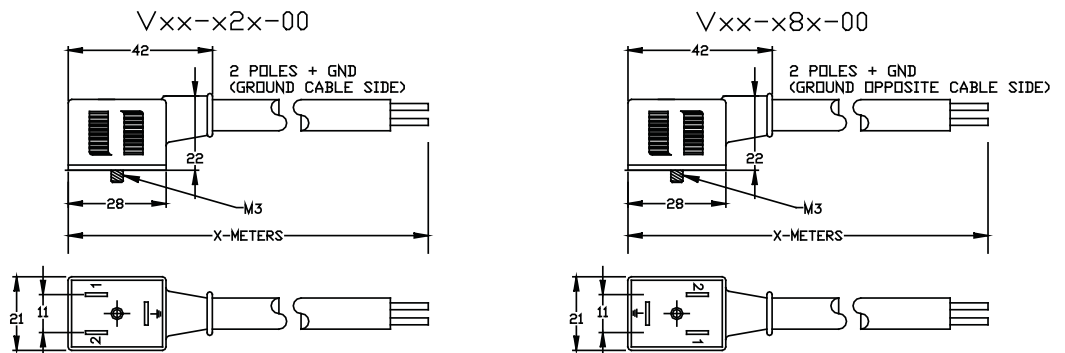
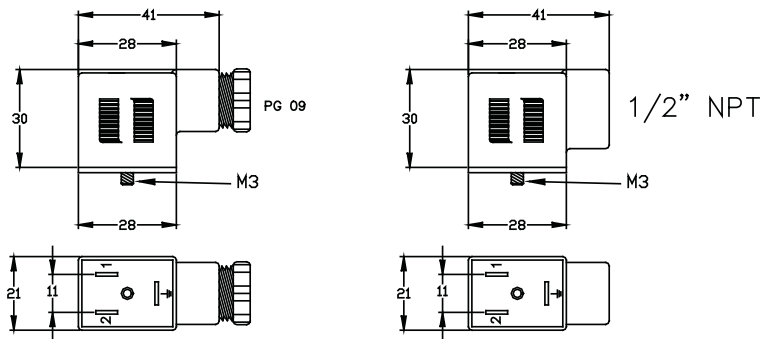
Field Wireable Specifications:

Body: Polyamide
 Contacts: Copper Alloy with Silver Plating
 Insert: Polyamide
 Gasket: Thermoplastic
 Screw: Steel Zinc Plate
 Cable O.D.: PG 9 - 6 to 8 mm
 Temperature: -40°C to 80°C (-40°F to +176°F)
 Protection: IP 65

Valve Pin #	Color Code
1	Brown
2	Blue
Ground	Green/Yellow

Cable Version Specifications:

Body: Black Polyamide
 Contacts: Copper Alloy with Silver Plating
 Insert: Polyamide
 Gasket: Thermoplastic
 Screw: Steel Zinc Plate
 Cable: Black PVC
 2 Pole: 3x18 AWG; Cable O.D.: 0.26"
 Temperature: -40°C to 80°C (-40°F to +176°F)
 Protection: IP 65



Solenoid Valve Connectors

Field Wireable & Cables ❖ DIN 43650 ❖ Form C



# of Poles	Voltage	Circuitry	Field Wireable	Prewired Versions		
			PG 7 6 to 7 mm	2 M	5 M	10 M
2 + Ground	250V AC/DC (maximum)	None	VHN-027-00 (Gray)	VCN-220-00	VCN-520-00	VCN-A20-00
			VCN-027-00 (Black)			
3 + Ground	250V AC/DC (maximum)	None	VHN-037-00 (Gray)	VCN-230-00**	VCN-530-00**	VCN-A30-00**
			VCN-037-00 (Black)			
2 + Ground	10-50V DC	LED w/ Flyback Diode	VCC-027-00	VCC-220-00	VCC-520-00	VCC-A20-00
2 + Ground	24V AC/DC	LED w/ MOV	VCG-027-00	VCG-220-00	VCG-520-00	VCG-A20-00
2 + Ground	120V AC/DC	LED w/ MOV	VCJ-027-00	VDC-220-00	VDC-520-00	VDC-A20-00

The ground position is not applicable for field wireable versions.

Field Wireable Specifications:

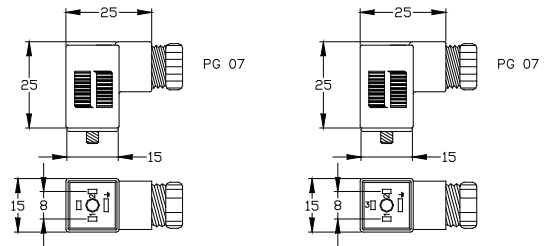
Body: Polyamide
 Contacts: Copper Alloy with Silver Plating
 Insert: Polyamide
 Gasket: Thermoplastic
 Screw: Steel Zinc Plate
 Cable O.D.: PG 7 - 6 to 7 mm
 Temperature: -40°C to 80°C (-40°F to +176°F)
 Protection: IP 65

Valve Pin #	Color Code	
	2 + Ground	3 + Ground
1	Brown	Brown
2	Blue	Gray*
3	N/A	Black
Ground	Green/Yellow	Green/Yellow

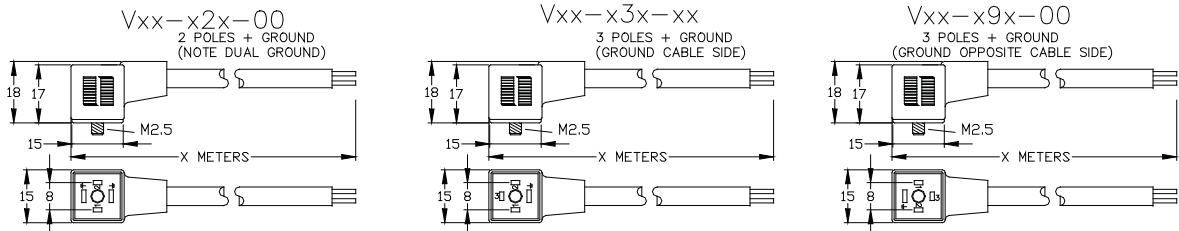
* Formerly Blue

Cable Version Specifications:

Body: Black Polyamide
 Contacts: Copper Alloy with Silver Plating
 Insert: Polyamide
 Gasket: Thermoplastic
 Screw: Steel Zinc Plate
 Cable: Black PVC
 2 Pole: 3x20 AWG; Cable O.D.: 0.22"
 3 Pole: 4x20 AWG; Cable O.D.: 0.23"
 Temperature: -40°C to 80°C (-40°F to +176°F)
 Protection: IP 65



** 2 Ground locations available for 3+ Ground versions.





Solenoid Valve Connectors

Field Wireable & Cables ❖ Industry Standard ❖ Form C

# of Poles	Voltage	Circuitry	Field Wireable	Prewired Versions		
			PG 7 6 to 7 mm	2 M	5 M	10 M
2 + Ground	250V AC/DC (maximum)	None	VKN-027-00 (Gray)	VEN-220-00	VEN-520-00	VEN-A20-00
			VEN-027-00 (Black)			
3 + Ground	250V AC/DC (maximum)	None	VKN-037-00 (Gray)	VEN-230-00**	VEN-530-00**	VEN-A30-00**
			VEN-037-00 (Black)			
2 + Ground	10-50V DC	LED w/ Flyback Diode	VEC-027-00	VEC-220-00	VEC-520-00	VEC-A20-00
2 + Ground	24V AC/DC	LED w/ MOV	VEG-027-00	VEG-220-00	VEG-520-00	VEG-A20-00
2 + Ground	120V AC/DC	LED w/ MOV	VEJ-027-00	VEJ-220-00	VEJ-520-00	VEJ-A20-00

The ground position is not applicable for field wireable versions.

Field Wireable Specifications:

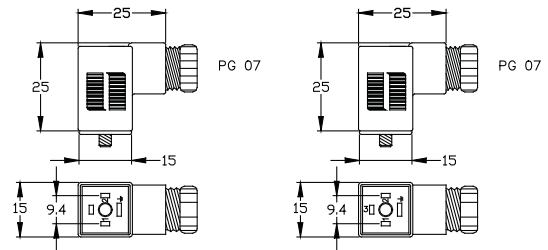
Body: Polyamide
 Contacts: Copper Alloy with Silver Plating
 Gasket: Thermoplastic
 Screw: Steel Zinc Plate
 Cable O.D.: PG 7 - 6 to 7 mm
 Temperature: -40°C to 80°C (-40°F to +176°F)
 Protection: IP 65

Valve Pin #	Color Code	
	2 + Ground	3 + Ground
1	Brown	Brown
2	Blue	Gray*
3	N/A	Black
Ground	Green/Yellow	Green/Yellow

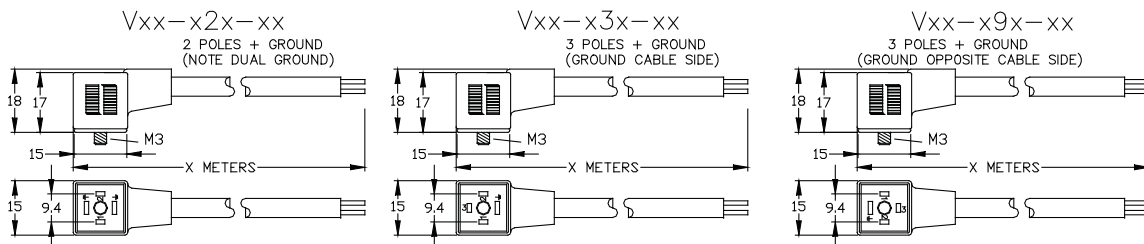
Cable Version Specifications:

Body: Black Polyamide
 Contacts: Copper Alloy with Silver Plating
 Gasket: Thermoplastic
 Screw: Steel Zinc Plate
 Cable: Black PVC
 2 Pole: 3x20 AWG; Cable O.D.: 0.22"
 3 Pole: 4x20 AWG; Cable O.D.: 0.23"
 Temperature: -40°C to 80°C (-40°F to +176°F)
 Protection: IP 65

* Formerly Blue



** 2 Ground locations available for 3+ Ground versions.



Solenoid Valve Connectors

DIN A to Micro-DC Male Receptacle ❖ DIN 43650 ❖ Form A to M12 (MDC)



# of Poles	Voltage	Circuitry	Housing Color	M12 (MDC) # of Poles	
				4	5
2 + Ground	250V AC/DC (maximum)	None	Gray	VFN-029-3401	VFN-029-3501
			Black	VAN-029-3401	VAN-029-3501
2 + Ground	10-50V DC	LED w/ Flyback Diode	Clear	VAC-029-3401	VAC-029-3501
2 + Ground	24V AC/DC	LED w/ MOV	Clear	VAG-029-3401	VAG-029-3501
2 + Ground	120V AC/DC	LED w/ MOV	Clear	VAJ-029-3401	VAJ-029-3501
2 + Ground	120V AC/DC	Bridge Rectifier w/ LED & MOV	Clear	VAR-029-3401	VAR-029-3501

DIN Connector Specifications:

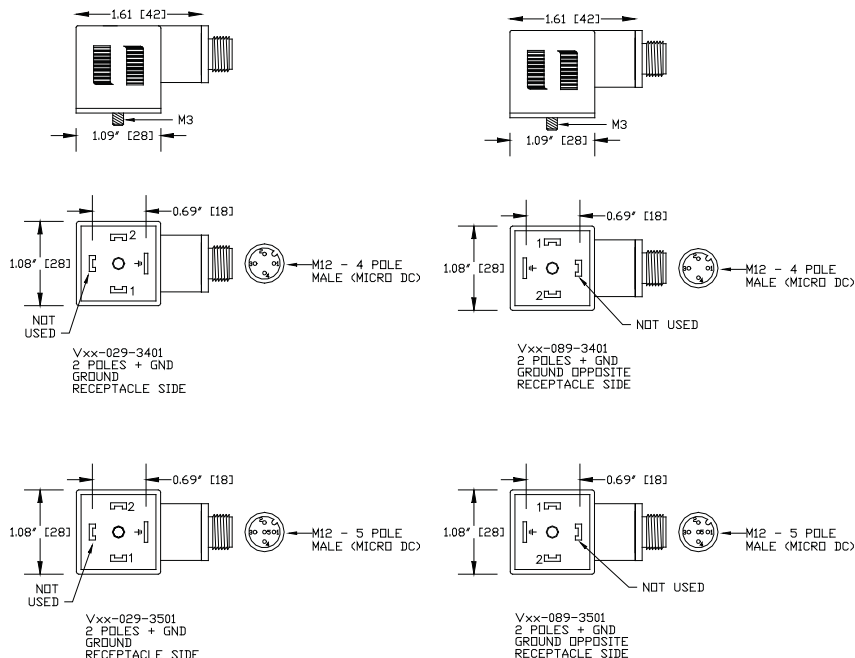
Body: Polyamide
 Contacts: Copper Alloy with Silver Plating
 Gasket: Thermoplastic
 Screw: Steel Zinc Plate
 Temperature: -40°C to 80°C (-40°F to +176°F)
 Protection: IP 65

MDC Connector Specifications:

Body: Nickel Plated Brass
 Insulator: Polyamide
 Contacts: Copper Alloy with Gold Plating
 O-Ring: BUNA-N
 Temperature: -40°C to 80°C (-40°F to +176°F)
 Protection: IP 65

DIN 43650	M12 (MDC) 4 Pole	M12 (MDC) 5 Pole
	Pin #	Pin #
1	4	4
2	3	3
Ground		5
3 Not Used	1, 2 & 5 Not Used	1 & 2 Not Used

The ground position is not connected on the 4 Pole Version.



Solenoid Valve Connectors

DIN A to Micro-DC 4 Pole Male Plug ❖ DIN 43650 ❖ Form A to MDC (M12)

# of Poles	Voltage	Circuitry	M12 (MDC) 4 Pole Cable Straight Male			M12 (MDC) 4 Pole Cable Right Angle Male		
			2 M	5 M	10 M	2 M	5 M	10 M
2 + Ground	250V AC/DC (maximum)	None	VAN-220-3401	VAN-520-3401	VAN-A20-3401	VAN-220-3402	VAN-520-3402	VAN-A20-3402
2 + Ground	24V AC/DC	LED w/ MOV	VAG-220-3401	VAG-520-3401	VAG-A20-3401	VAG-220-3402	VAG-520-3402	VAG-A20-3402
2 + Ground	120V AC/DC	LED w/ MOV	VAJ-220-3401	VAJ-520-3401	VAJ-A20-3401	VAJ-220-3402	VAJ-520-3402	VAJ-A20-3402

Other circuit options are available, please consult the factory.

Molded M12 Connectors are also available, please consult the factory for part number and minimum order quantities.

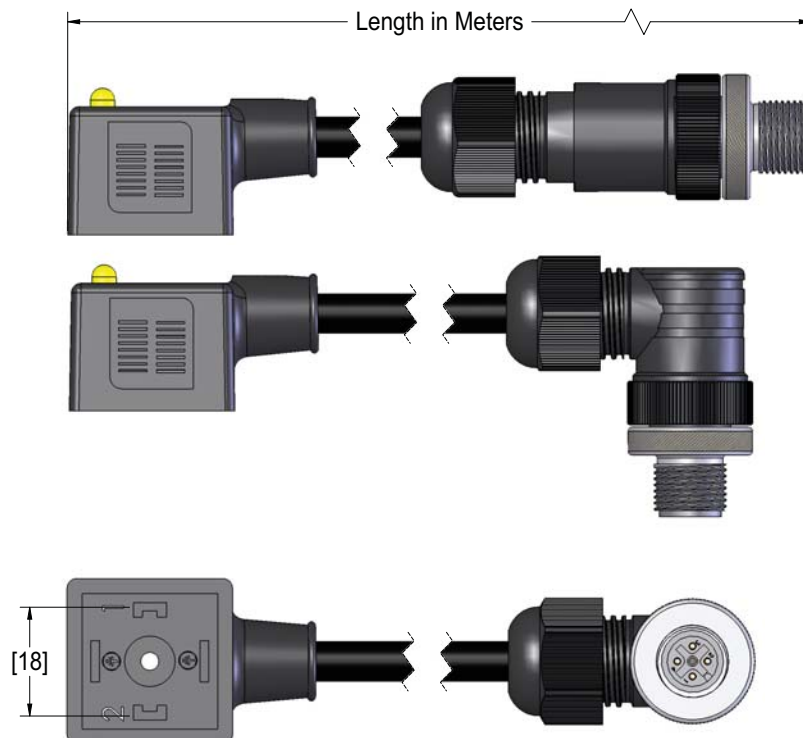
DIN Connector Specifications:

Body: Polyamide
 Contacts: Copper Alloy with Silver Plating
 Gasket: Thermoplastic
 Screw: Steel Zinc Plate
 Temperature: -40°C to 80°C (-40°F to +176°F)
 Protection: IP 65

DIN 43650 Form A	M12 (MDC) 4 Pole
Pin #	Pin #
1	4
2	3
Ground Not Used	1, 2 & 5 Not Used

MDC Connector Specifications:

Body: Nickel Plated Brass
 Insulator: Polyamide
 Contacts: Copper Alloy with Gold Plating
 O-Ring: BUNA-N
 Temperature: -40°C to 80°C (-40°F to +176°F)
 Protection: IP 65



Valve Connectors

Solenoid Valve Connectors

DIN A to Micro-DC 5 Pole Male Plug ❖ DIN 43650 ❖ Form A to MDC (M12)

# of Poles	Voltage	Circuitry	M12 (MDC) 4 Pole Cable Straight Male			M12 (MDC) 4 Pole Cable Right Angle Male		
			2 M	5 M	10 M	2 M	5 M	10 M
2 + Ground	250V AC/DC (maximum)	None	VAN-220-3501	VAN-520-3501	VAN-A20-3501	VAN-220-3502	VAN-520-3502	VAN-A20-3502
2 + Ground	24V AC/DC	LED w/ MOV	VAG-220-3501	VAG-520-3501	VAG-A20-3501	VAG-220-3502	VAG-520-3502	VAG-A20-3502
2 + Ground	120V AC/DC	LED w/ MOV	VAJ-220-3501	VAJ-520-3501	VAJ-A20-3501	VAJ-220-3502	VAJ-520-3502	VAJ-A20-3502

Other circuit options are available, please consult the factory.

Molded M12 Connectors are also available, please consult the factory for part number and minimum order quantities.

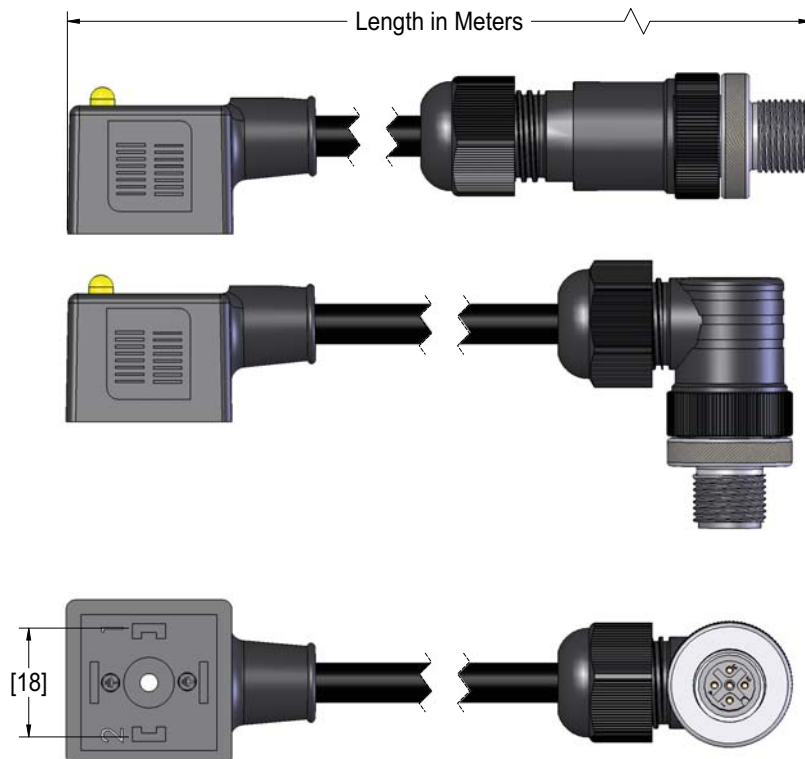
DIN Connector Specifications:

Body: Polyamide
 Contacts: Copper Alloy with Silver Plating
 Gasket: Thermoplastic
 Screw: Steel Zinc Plate
 Temperature: -40°C to 80°C (-40°F to +176°F)
 Protection: IP 65

DIN 43650 Form A	M12 (MDC) 5 Pole
Pin #	Pin #
1	4
2	3
Ground	5
	1 & 2 Not Used

MDC Connector Specifications:

Body: Nickel Plated Brass
 Insulator: Polyamide
 Contacts: Copper Alloy with Gold Plating
 O-Ring: BUNA-N
 Temperature: -40°C to 80°C (-40°F to +176°F)
 Protection: IP 65



Solenoid Valve Connectors

Industry Standard Form B to Micro-DC Male Receptacle

# of Poles	Voltage	Circuitry	Housing Color	M12 (MDC) # of Poles	
				4	5
2 + Ground	250V AC/DC (maximum)	None	Gray	VJN-029-3401	VJN-029-3501
			Black	VDN-029-3401	VDN-029-3501
2 + Ground	10-50V DC	LED w/ Flyback Diode	Clear	VDC-029-3401	VDC-029-3501
2 + Ground	24V AC/DC	LED w/ MOV	Clear	VDG-029-3401	VDG-029-3501
2 + Ground	120V AC/DC	LED w/ MOV	Clear	VDJ-029-3401	VDJ-029-3501

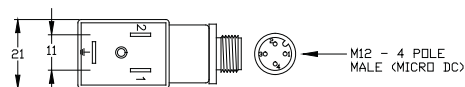
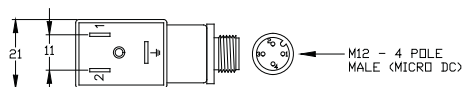
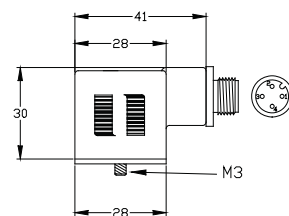
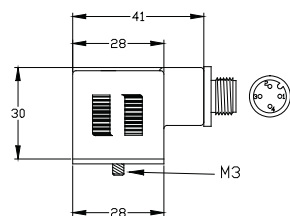
DIN Connector Specifications:

Body: Polyamide
 Contacts: Copper Alloy with Silver Plating
 Gasket: Thermoplastic
 Screw: Steel Zinc Plate
 Temperature: -40°C to 80°C (-40°F to +176°F)
 Protection: IP 65

DIN 43650 I.S.B.	M12 (MDC) 4 Pole	M12 (MDC) 5 Pole
	Pin #	Pin #
1	4	4
2	3	3
Ground	Not Used	5
	1, 2 & 5 Not Used	1 & 2 Not Used

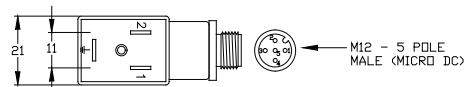
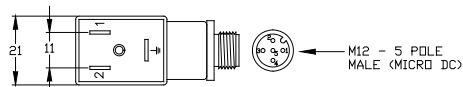
MDC Connector Specifications:

Body: Nickel Plated Brass
 Insulator: Polyamide
 Contacts: Copper Alloy with Gold Plating
 O-Ring: BUNA-N
 Temperature: -40°C to 80°C (-40°F to +176°F)
 Protection: IP 65



Vxx-029-3401
GROUND TOWARD RECEPTACLE SIDE

Vxx-089-3401
GROUND OPPOSITE RECEPTACLE SIDE



Vxx-029-3501
GROUND TOWARD RECEPTACLE SIDE

Vxx-089-3501
GROUND OPPOSITE RECEPTACLE SIDE

Solenoid Valve Connectors

Industry Standard Form B to Micro-DC Male Plug

# of Poles	Voltage	Circuitry	M12 (MDC) 4 Pole Cable Straight Male			M12 (MDC) 4 Pole Cable Right Angle Male		
			2 M	5 M	10 M	2 M	5 M	10 M
2 + Ground	250V AC/DC (maximum)	None	VDN-220-3401	VDN-520-3401	VDN-A20-3401	VDN-220-3402	VDN-520-3402	VDN-A20-3402
2 + Ground	24V AC/DC	LED w/ MOV	VDG-220-3401	VDG-520-3401	VDG-A20-3401	VDG-220-3402	VDG-520-3402	VDG-A20-3402
2 + Ground	120V AC/DC	LED w/ MOV	VDJ-220-3401	VDJ-520-3401	VDJ-A20-3401	VDJ-220-3402	VDJ-520-3402	VDJ-A20-3402
# of Poles	Voltage	Circuitry	M12 (MDC) 5 Pole Cable Straight Male			M12 (MDC) 5 Pole Cable Right Angle Male		
			2 M	5 M	10 M	2 M	5 M	10 M
2 + Ground	250V AC/DC (maximum)	None	VDN-220-3501	VDN-520-3501	VDN-A20-3501	VDN-220-3502	VDN-520-3502	VDN-A20-3502
2 + Ground	24V AC/DC	LED w/ MOV	VDG-220-3501	VDG-520-3501	VDG-A20-3501	VDG-220-3502	VDG-520-3502	VDG-A20-3502
2 + Ground	120V AC/DC	LED w/ MOV	VDJ-220-3501	VDJ-520-3501	VDJ-A20-3501	VDJ-220-3502	VDJ-520-3502	VDJ-A20-3502

Molded M12 Connectors are also available, please consult the factory for part number and minimum order quantities.

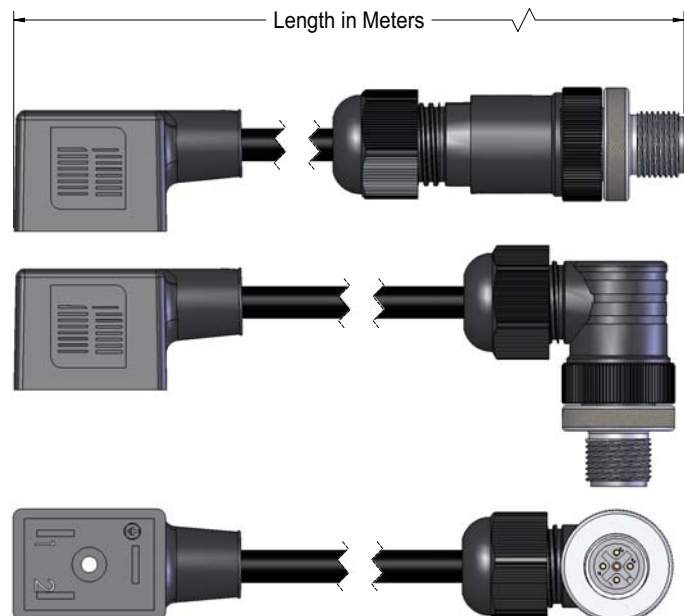
DIN Connector Specifications:

Body: Polyamide
 Contacts: Copper Alloy with Silver Plating
 Gasket: Thermoplastic
 Screw: Steel Zinc Plate
 Temperature: -40°C to 80°C (-40°F to +176°F)
 Protection: IP 65

DIN 43650 I.S.B.	M12 (MDC) 4 Pole	M12 (MDC) 5 Pole
	Pin #	Pin #
1	4	4
2	3	3
Ground	Not Used	5
	1, 2 & 5 Not Used	1 & 2 Not Used

MDC Connector Specifications:

Body: Nickel Plated Brass
 Insulator: Polyamide
 Contacts: Copper Alloy with Gold Plating
 O-Ring: BUNA-N
 Temperature: -40°C to 80°C (-40°F to +176°F)
 Protection: IP 65



Valve Connectors

Solenoid Valve Connectors

DIN 43650 Form C to Micro-DC Male Plug ❖ DIN 43650 ❖ Form C to MDC

# of Poles	Voltage	Circuitry	M12 (MDC) 4 Pole Cable Straight Male			M12 (MDC) 4 Pole Cable Right Angle Male		
			2 M	5 M	10 M	2 M	5 M	10 M
2 + Ground	250V AC/DC (maximum)	None	VCN-220-3401	VCN-520-3401	VCN-A20-3401	VCN-220-3402	VCN-520-3402	VCN-A20-3402
2 + Ground	24V AC/DC	LED w/ MOV	VCG-220-3401	VCG-520-3401	VCG-A20-3401	VCG-220-3402	VCG-520-3402	VCG-A20-3402
2 + Ground	120V AC/DC	LED w/ MOV	VCJ-220-3401	VCJ-520-3401	VCJ-A20-3401	VCJ-220-3402	VCJ-520-3402	VCJ-A20-3402
# of Poles	Voltage	Circuitry	M12 (MDC) 5 Pole Cable Straight Male			M12 (MDC) 5 Pole Cable Right Angle Male		
			2 M	5 M	10 M	2 M	5 M	10 M
2 + Ground	250V AC/DC (maximum)	None	VCN-220-3501	VCN-520-3501	VCN-A20-3501	VCN-220-3502	VCN-520-3502	VCN-A20-3502
2 + Ground	24V AC/DC	LED w/ MOV	VCG-220-3501	VCG-520-3501	VCG-A20-3501	VCG-220-3502	VCG-520-3502	VCG-A20-3502
2 + Ground	120V AC/DC	LED w/ MOV	VCJ-220-3501	VCJ-520-3501	VCJ-A20-3501	VCJ-220-3502	VCJ-520-3502	VCJ-A20-3502

Molded M12 Connectors are also available, please consult the factory for part number and minimum order quantities.

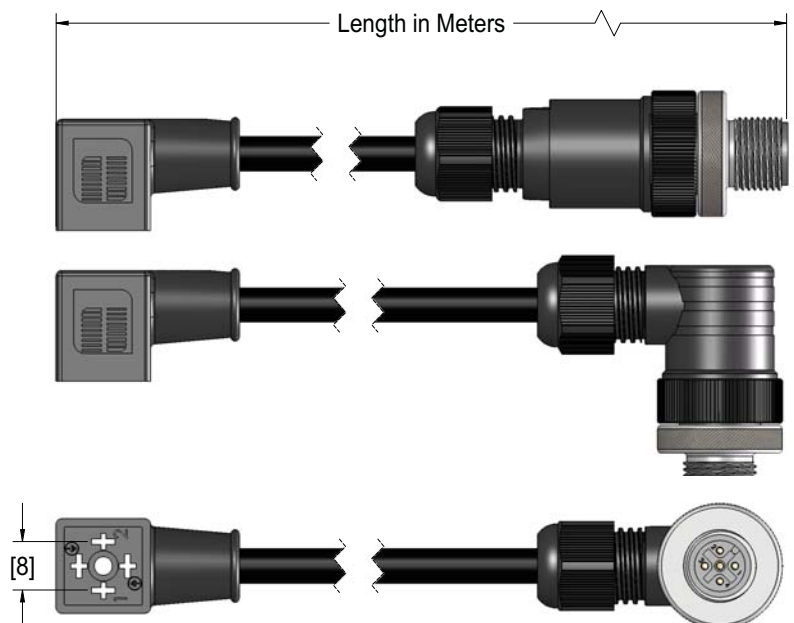
DIN Connector Specifications:

Body: Polyamide
 Contacts: Copper Alloy with Silver Plating
 Gasket: Thermoplastic
 Screw: Steel Zinc Plate
 Temperature: -40°C to 80°C (-40°F to +176°F)
 Protection: IP 65

DIN 43650 Form C	M12 (MDC) 4 Pole	M12 (MDC) 5 Pole
	Pin #	Pin #
1	4	4
2	3	3
Ground	Not Used	5
	1, 2 & 5 Not Used	1 & 2 Not Used

MDC Connector Specifications:

Body: Nickel Plated Brass
 Insulator: Polyamide
 Contacts: Copper Alloy with Gold Plating



Valve Connectors

Solenoid Valve Connectors

Industry Standard Form C to Micro-DC Male Plug

# of Poles	Voltage	Circuitry	M12 (MDC) 4 Pole Cable Straight Male			M12 (MDC) 4 Pole Cable Right Angle Male		
			2 M	5 M	10 M	2 M	5 M	10 M
2 + Ground	250V AC/DC (maximum)	None	VEN-220-3401	VEN-520-3401	VEN-A20-3401	VEN-220-3402	VEN-520-3402	VEN-A20-3402
2 + Ground	24V AC/DC	LED w/ MOV	VEG-220-3401	VEG-520-3401	VEG-A20-3401	VEG-220-3402	VEG-520-3402	VEG-A20-3402
2 + Ground	120V AC/DC	LED w/ MOV	VEJ-220-3401	VEJ-520-3401	VEJ-A20-3401	VEJ-220-3402	VEJ-520-3402	VEJ-A20-3402
# of Poles	Voltage	Circuitry	M12 (MDC) 5 Pole Cable Straight Male			M12 (MDC) 5 Pole Cable Right Angle Male		
			2 M	5 M	10 M	2 M	5 M	10 M
2 + Ground	250V AC/DC (maximum)	None	VEN-220-3501	VEN-520-3501	VEN-A20-3501	VEN-220-3502	VEN-520-3502	VEN-A20-3502
2 + Ground	24V AC/DC	LED w/ MOV	VEG-220-3501	VEG-520-3501	VEG-A20-3501	VEG-220-3502	VEG-520-3502	VEG-A20-3502
2 + Ground	120V AC/DC	LED w/ MOV	VEJ-220-3501	VEJ-520-3501	VEJ-A20-3501	VEJ-220-3502	VEJ-520-3502	VEJ-A20-3502

Molded M12 Connectors are also available, please consult the factory for part number and minimum order quantities.

DIN Connector Specifications:

Body: Polyamide
 Contacts: Copper Alloy with Silver Plating
 Gasket: Thermoplastic
 Screw: Steel Zinc Plate
 Temperature: -40°C to 80°C (-40°F to +176°F)
 Protection: IP 65

I.S.C.	M12 (MDC) 4 Pole	M12 (MDC) 5 Pole
	Pin #	Pin #
1	4	4
2	3	3
Ground	Not Used	5
	1, 2 & 5 Not Used	1 & 2 Not Used

MDC Connector Specifications:

Body: Oil Resistant Yellow PVC
 Insulator: Polyamide
 Contacts: Copper Alloy with Gold Plating
 Coupling Nut: Nickel Plated Brass
 Temperature: -40°C to 80°C (-40°F to +176°F)
 Protection: IP 65







Cable Glands

NPT Threads 2-4



PG Threads 5-13



Metric Threads..... 14-15



Accessories 16-26



Sealing Glands 27-29



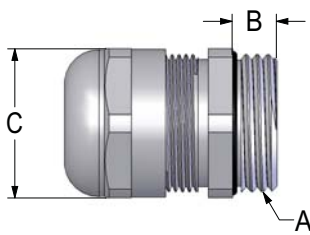
Cable Entry Systems 30





Cable Glands: NPT Threads

Standard Brass Cable Glands



Mencom Cable Glands are easy to use and provide a good strain relief and water tight seal for round cables. The cable glands are rated up to IP 68 (comparable to NEMA 6P). The glands have a wide clamping range.

NPT style cable glands are not supplied with nuts. Nuts can be ordered separately, see page V-4.

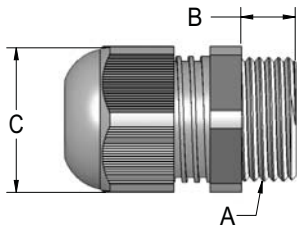
Brass Cable Glands					
Part Number	Diameter Range mm (inches)	Mounting Hole Clearance mm (inches)	A Thread Type	B Thread Length mm (inches)	C Wrench Flats mm (inches)
MCG-3/8	3 - 9 (0.118 - 0.354)	17.1 (0.675)	3/8" NPT	8 (0.315)	20 (0.79)
MCG-1/2	5 - 13 (0.197 - 0.512)	21.0 (0.825)	1/2" NPT	10 (0.394)	24 (0.94)
MCG-3/4	8 - 16 (0.315 - 0.630)	26.7 (1.050)	3/4" NPT	11 (0.433)	30 (1.18)
MCG-1.0	12 - 21 (0.472 - 0.827)	34.3 (1.350)	1" NPT	14 (0.551)	40 (1.57)
MCG-1.25	16 - 27 (0.630 - 1.063)	41.9 (1.650)	1.25" NPT	14 (0.551)	50 (1.97)
MCG-1.5	21 - 35 (0.827 - 1.378)	49.5 (1.950)	1.5" NPT	15 (0.591)	55 (2.17)
MCG-2.0	27 - 48 (1.063 - 1.890)	61.0 (2.400)	2" NPT	15 (0.591)	65 (2.56)

Materials:

Body: Nickel Plated Brass
 Insert: Polyamide
 Seal: Neoprene
 O-Ring: BUNA-N

Cable Glands: NPT Threads

Standard Plastic Cable Glands



Mencom cable glands are easy to use and provide a good strain relief and water tight seal for round cables. The cable glands are rated up to IP 68-5 BAR (comparable to NEMA 6P). The glands have a wide clamping range.

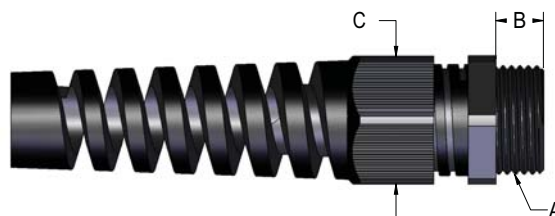
NPT style cable glands are not supplied with nuts. Nuts can be ordered separately, see page V-4.

Plastic Cable Glands						
Part Number		Diameter Range mm (inches)	Mounting Hole Clearance mm (inches)	A Thread Type	B Thread Length mm (inches)	C Wrench Flats mm (inches)
Gray	Black					
PCG-3/8R	PCG-3/8R-B	3 - 7 (0.118 - 0.276)	17.1 (0.675)	3/8" NPT	15.5 (0.610)	22 (0.87)
PCG-3/8	PCG-3/8-B	5 - 10 (0.197 - 0.394)	17.1 (0.675)	1/2" NPT	15.5 (0.610)	22 (0.87)
PCG-1/2X	PCG-1/2X-B	5 - 9 (0.197 - 0.354)	21.0 (0.825)	1/2" NPT	14.5 (0.571)	24 (0.94)
PCG-1/2Y	PCG-1/2Y-B	6 - 12 (0.236 - 0.472)	21.0 (0.825)	1/2" NPT	14.5 (0.571)	24 (0.94)
PCG-1/2R	PCG-1/2R-B	7 - 12 (0.276 - 0.472)	21.0 (0.825)	1/2" NPT	15 (0.591)	27 (1.06)
PCG-1/2	PCG-1/2-B	10 - 14 (0.394 - 0.551)	21.0 (0.825)	1/2" NPT	15 (0.591)	27 (1.06)
PCG-1/2E	PCG-1/2E-B	13 - 18 (0.512 - 0.709)	21.0 (0.825)	1/2" NPT	15 (0.591)	33 (1.30)
PCG-3/4R	PCG-3/4R-B	9 - 16 (0.354 - 0.630)	26.7 (1.050)	3/4" NPT	15 (0.591)	33 (1.30)
PCG-3/4	PCG-3/4-B	14 - 18 (0.551 - 0.709)	26.7 (1.050)	3/4" NPT	15 (0.591)	33 (1.30)
PCG-1.0R	PCG-1.0R-B	12 - 20 (0.472 - 0.787)	34.3 (1.350)	1" NPT	18 (0.709)	42 (1.65)
PCG-1.0	PCG-1.0-B	19 - 25 (0.748 - 0.984)	34.3 (1.350)	1" NPT	18 (0.709)	42 (1.65)
PCG-1.25R	PCG-1.25R-B	20 - 26 (0.787 - 1.024)	41.9 (1.650)	1.25" NPT	18 (0.709)	53 (2.09)
PCG-1.25	PCG-1.25-B	22 - 32 (0.866 - 1.260)	41.9 (1.650)	1.25" NPT	18 (0.709)	53 (2.09)

For the flex style version, add "S" to the part number (e.g. PCG-1/2R-BS). Flex styles are not available on the PCG-1.0 or 1.25 versions.

Materials:

Body: Polyamide
Seal: Neoprene



Cable Glands: NPT Threads

Nuts ❖ Plastic & Metal

Plastic Nuts					
Part Number		Thread Type	A mm (inches)	B mm (inches)	Figure
Gray	Black				
238PA	238PA/SW	3/8" NPT	22 (0.87)	5 (0.20)	1
212PA	212PA/SW	1/2" NPT	27 (1.06)	6 (0.24)	1
234PA	234PA/SW	3/4" NPT	36 (1.42)	7 (0.28)	1
210PA	210PA/SW	1" NPT	42 (1.65)	7 (0.28)	1

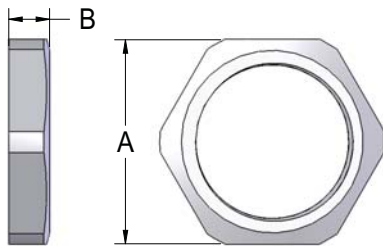


Figure 1

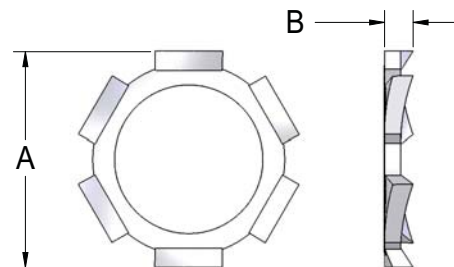
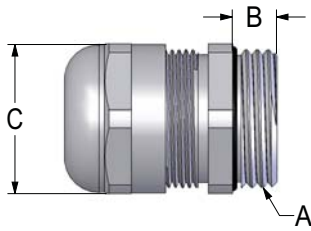


Figure 2

Metal Nuts				
Part Number	Thread Type	A mm (inches)	B mm (inches)	Figure
214M	1/4" NPT	17.5 (0.69)	3.3 (0.13)	1
238M	3/8" NPT	20.1 (0.79)	3.0 (0.12)	1
212M	1/2" NPT	28.4 (1.12)	3.3 (0.13)	2
234M	3/4" NPT	35.1 (1.38)	3.8 (0.15)	2
210M	1" NPT	42.9 (1.69)	5.1 (0.20)	2
Material: Steel Zinc Plate				

Cable Glands: PG Threads

Standard Brass Cable Glands



Mencom cable glands are easy to use and provide a good strain relief and water tight seal for round cables. The cable glands are rated up to IP 68 (comparable to NEMA 6P). The glands have a wide clamping range.

An O-Ring and Locking Nut are supplied on all PG threaded metal cable glands.

Part Number	Diameter Range mm (inches)	Mounting Hole Clearance (inches)	A Thread Type	B Thread Length mm (inches)	C Wrench Flats mm (inches)
MCG-07R	2 - 5 (0.079 - 0.196)	12.7 (.500)	PG 7	5 (.197)	14 (.551)
MCG-07	3 - 6.5 (.118-.255)	12.7 (.500)	PG 7	5 (.197)	14 (.551)
MCG-09R	2 - 6 (0.079-.236)	15.4 (.606)	PG 9	6 (.236)	17 (.669)
MCG-09	4 - 8 (.157-.315)	15.4 (.606)	PG 9	6 (.236)	17 (.669)
MCG-11R	3 - 7 (.118-.275)	18.8 (.740)	PG 11	6 (.236)	20 (.787)
MCG-11	5 - 10 (.197-.393)	18.8 (.740)	PG 11	6 (.236)	20 (.787)
MCG-13.5R	5 - 9 (.197-.354)	20.7 (.815)	PG 13.5	6.5 (.256)	22 (.866)
MCG-13.5	6 - 12 (.236-.472)	20.7 (.815)	PG 13.5	6.5 (.256)	22 (.866)
MCG-16R	7 - 12 (.276-.472)	22.8 (.900)	PG 16	6.5 (.256)	24 (.945)
MCG-16	10 - 14 (.394-.551)	22.8 (.900)	PG 16	6.5 (.256)	24 (.945)
MCG-21R	9 - 16 (.354-.630)	28.6 (1.125)	PG 21	7 (.276)	30 (1.181)
MCG-21	13 - 18 (.512-.708)	28.6 (1.125)	PG 21	7 (.276)	30 (1.181)
MCG-29R	12 - 20 (.472-.787)	37.4 (1.475)	PG 29	8 (.315)	40 (1.575)
MCG-29	18 - 25 (.709-.984)	37.4 (1.475)	PG 29	8 (.315)	40 (1.575)
MCG-36R	20 - 26 (.787-1.02)	47.5 (1.870)	PG 36	9 (.354)	50 (1.968)
MCG-36	24 - 32 (.866-1.26)	47.5 (1.870)	PG 36	9 (.354)	50 (1.968)
MCG-42R	25 - 31 (.984-1.22)	54.5 (2.145)	PG 42	10 (.394)	57 (2.244)
MCG-42	30 - 38 (1.18-1.50)	54.5 (2.145)	PG 42	10 (.394)	57 (2.244)
MCG-48R	29 - 35 (1.14-1.38)	59.8 (2.354)	PG 48	10 (.394)	64 (2.520)
MCG-48	34 - 44 (1.34-1.73)	59.8 (2.354)	PG 48	10 (.394)	64 (2.520)

Longer thread length (0.590") is available, add "L" to the end of the part number (e.g. MCG-21L).

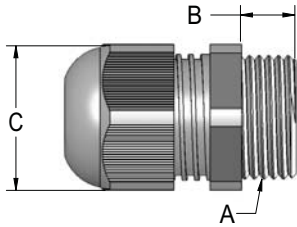
Materials:

Body: Nickel Plated Brass
 Insert: Polyamide
 Seal: Neoprene



Cable Glands: PG Threads

Standard Plastic Cable Glands



Mencom Cable Glands are easy to use and provide a good strain relief and water tight seal for round cables. The cable glands are rated up to IP 68-5 Bar (comparable to NEMA 6P). The glands have a wide clamping range.

A Locking Nut is supplied on all PG threaded parts. O-Rings are not required to maintain a seal on sizes PG 7 to PG 21, but are supplied on size PG 29 and larger.

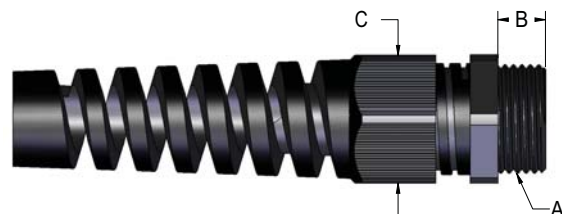
Part Number		Diameter Range mm (inches)	Mounting Hole Clearance mm (inches)	A Thread Type	B Thread Length mm (inches)	C Wrench Flats mm (inches)
Gray	Black					
PCG-07R	PCG-07-B	2 - 5 (.079-.196)	12.7 (.500)	PG 7	8 (.315)	15 (.591)
PCG-07	PCG-07-B	3 - 6.5 (.118-.255)	12.7 (.500)	PG 7	8 (.315)	15 (.591)
PCG-09R	PCG-09R-B	2 - 6 (.079-.236)	15.4 (.606)	PG 9	8 (.315)	19 (.748)
PCG-09	PCG-09-B	4 - 8 (.157-.315)	15.4 (.606)	PG 9	8 (.315)	19 (.748)
PCG-11R	PCG-11R-B	3 - 7 (.118-.275)	18.8 (.740)	PG 11	8 (.315)	22 (.866)
PCG-11	PCG-11-B	5 - 10 (.197-.393)	18.8 (.740)	PG 11	8 (.315)	22 (.866)
PCG-13.5R	PCG-13.5R-B	5 - 9 (.197-.354)	20.7 (.815)	PG 13.5	9 (.354)	24 (.945)
PCG-13.5	PCG-13.5-B	6 - 12 (.236-.472)	20.7 (.815)	PG 13.5	9 (.354)	24 (.945)
PCG-16R	PCG-16R-B	7 - 12 (.276-.472)	22.8 (.900)	PG 16	10 (.394)	27 (1.06)
PCG-16	PCG-16-B	10 - 14 (.394-.551)	22.8 (.900)	PG 16	10 (.394)	27 (1.06)
PCG-21R	PCG-21R-B	9 - 16 (.354-.630)	28.6 (1.125)	PG 21	11 (.433)	33 (1.30)
PCG-21	PCG-21-B	13 - 18 (.512-.708)	28.6 (1.125)	PG 21	11 (.433)	33 (1.30)
PCG-29R	PCG-29R-B	12 - 20 (.472-.787)	37.4 (1.475)	PG 29	11 (.433)	42 (1.65)
PCG-29	PCG-29-B	18 - 25 (.709-.984)	37.4 (1.475)	PG 29	11 (.433)	42 (1.65)
PCG-36R	PCG-36R-B	20 - 26 (.787-1.02)	47.5 (1.870)	PG 36	13 (.512)	53 (2.09)
PCG-36	PCG-36-B	22 - 32 (.866-1.26)	47.5 (1.870)	PG 36	13 (.512)	53 (2.09)
PCG-42R	PCG-42R-B	25 - 31 (.984-1.22)	54.5 (2.145)	PG 42	13 (.512)	60 (2.36)
PCG-42	PCG-42-B	30 - 38 (1.18-1.50)	54.5 (2.145)	PG 42	13 (.512)	60 (2.36)
PCG-48R	PCG-48R-B	29 - 35 (1.14-1.38)	59.8 (2.354)	PG 48	14 (.552)	65 (2.60)
PCG-48	PCG-48-B	34 - 44 (1.34-1.73)	59.8 (2.354)	PG 48	14 (.552)	65 (2.60)

For the Flex Style Version, add "S" to the part number (e.g. PCG-16R-BS).

Flex Styles are not available on the PCG-29 to PCG-48 versions.

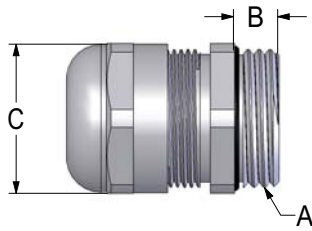
Materials:

Body: Polyamide
Seal: Neoprene



Cable Glands: PG Threads

EMI Shielding Brass Cable Glands



Mencom EMI Cable Glands provide an easy way to ground the shield from a shielded cable to the body of the metal cable gland. The seal rating is IP 68.

A special cutting Locking Nut and O-Ring are supplied on EMI Shielding Cable Glands. The nut will cut through painted surfaces to allow the gland to ground to the metal panel.

Part Number	Diameter Range mm (inches)	Mounting Hole Clearance mm (inches)	A Thread Type	B Thread Length mm (inches)	C Wrench Flats mm (inches)
MCGB-07R	2 - 5 (.079-.196)	12.7 (.500)	PG 7	5 (.197)	14 (.551)
MCGB-07	3 - 6.5 (.118-.255)	12.7 (.500)	PG 7	5 (.197)	14 (.551)
MCGB-09R	2 - 6 (.079-.236)	15.4 (.606)	PG 9	6 (.236)	17 (.669)
MCGB-09	4 - 8 (.157-.315)	15.4 (.606)	PG 9	6 (.236)	17 (.669)
MCGB-11R	3 - 7 (.118-.275)	18.8 (.740)	PG 11	6 (.236)	20 (.787)
MCGB-11	5 - 10 (.197-.393)	18.8 (.740)	PG 11	6 (.236)	20 (.787)
MCGB-13.5R	5 - 9 (.197-.354)	20.7 (.815)	PG 13.5	6.5 (.256)	22 (.866)
MCGB-13.5	6 - 12 (.236-.472)	20.7 (.815)	PG 13.5	6.5 (.256)	22 (.866)
MCGB-16R	7 - 12 (.276-.472)	22.8 (.900)	PG 16	6.5 (.256)	24 (.945)
MCGB-16	10 - 14 (.394-.551)	22.8 (.900)	PG 16	6.5 (.256)	24 (.945)
MCGB-21R	9 - 16 (.354-.630)	28.6 (1.125)	PG 21	7 (.276)	30 (1.181)
MCGB-21	13 - 18 (.512-.708)	28.6 (1.125)	PG 21	7 (.276)	30 (1.181)
MCGB-29R	12 - 20 (.472-.787)	37.4 (1.475)	PG 29	8 (.315)	40 (1.575)
MCGB-29	18 - 25 (.709-.984)	37.4 (1.475)	PG 29	8 (.315)	40 (1.575)
MCGB-36R	20 - 26 (.787-1.02)	47.5 (1.870)	PG 36	9 (.354)	50 (1.968)
MCGB-36	24 - 32 (.866-1.26)	47.5 (1.870)	PG 36	9 (.354)	50 (1.968)
MCGB-42R	25 - 31 (.984-1.22)	54.5 (2.145)	PG 42	10 (.394)	57 (2.244)
MCGB-42	30 - 38 (1.18-1.50)	54.5 (2.145)	PG 42	10 (.394)	57 (2.244)
MCGB-48R	29 - 35 (1.14-1.38)	59.8 (2.354)	PG 48	10 (.394)	64 (2.520)
MCGB-48	34 - 44 (1.34-1.73)	59.8 (2.354)	PG 48	10 (.394)	64 (2.520)

Materials:

Body: Nickel Plated Brass
 Insert: Polyamide
 Seal: Neoprene





Cable Glands: PG Threads

Clamping Cable Glands

CRSS Series

Nickel Plated Brass Cable Gland with self-centering double saddle clamps. The seal is achieved with a neoprene sealing ring (with multiple perforations to accommodate a wide range of diameters). Brass Nuts and O-Rings for these must be ordered separately. Protection to IP 55.



CRSS Series		
Part Number	Diameter Range mm (inches)	Thread Type
CRSS-09	7 - 10 (0.255 - 0.374)	PG 9
CRSS-11	8 - 12 (0.295 - 0.452)	PG 11
CRSS-13.5	9 - 13 (0.334 - 0.531)	PG 13.5
CRSS-16	10 - 15 (0.374 - 0.591)	PG 16
CRSS-21	12.5 - 19 (0.472 - 0.748)	PG 21
CRSS-29	19 - 27 (0.728 - 1.063)	PG 29
CRSS-36	26 - 33 (1.00 - 1.30)	PG 36
CRSS-42	30.5 - 39 (1.18 - 1.54)	PG 42
CRSS-48	35 - 45 (1.35 - 1.77)	PG 48

CRT Series

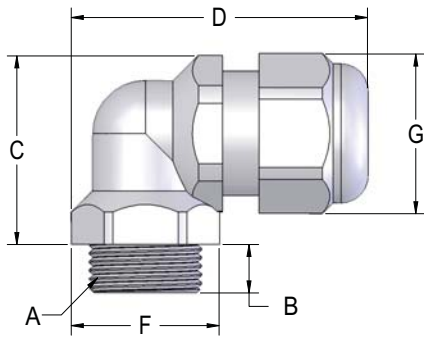
Nickel Plated Brass Cable Gland with multiple perforations. The seal is made of nitrile rubber, per DIN 46320.



CRT Series		
Part Number	Diameter Range mm (inches)	Thread Type
CRT-09	4 - 11 (0.157 - 0.433)	PG 9
CRT-11	6 - 12 (0.236 - 0.472)	PG 11
CRT-13.5	6 - 13 (0.236 - 0.512)	PG 13.5
CRT-16	6 - 16 (0.236 - 0.630)	PG 16
CRT-21	9 - 20 (0.354 - 0.787)	PG 21
CRT-29	17 - 28 (0.669 - 1.102)	PG 29
CRT-36	23 - 34 (0.906 - 1.339)	PG 36
CRT-42	29 - 40 (1.142 - 1.575)	PG 42
CRT-48	35 - 47 (1.378 - 1.850)	PG 48

Cable Glands: PG Threads

Plastic Right Angle Cable Glands



Mencom Cable Glands are easy to use and provide a good strain relief and water tight seal for round cables. The cable glands are rated up to IP 68-5 Bar (comparable to NEMA 6P). The glands have a wide clamping range.

A Locking Nut is supplied on all PG threaded parts.

Part Number	Diameter Range mm (inches)	Mounting Hole Clearance mm (inches)	A Thread Type	B Thread Length mm (inches)	C Height mm (inches)	D Length mm (inches)	F Wrench Flats mm (inches)	G Wrench Flats mm (inches)
PCGA-07R	2 - 6 (0.079- 0.236)	12.7 (0.500)	PG 7	8 (0.315)	26 (1.02)	38.5 (1.516)	15 (0.591)	19 (0.748)
PCGA-07	4 - 8 (0.157- 0.315)	12.7 (0.500)	PG 7	8 (0.315)	26 (1.02)	38.5 (1.516)	15 (0.591)	19 (0.748)
PCGA-09R	3 - 7 (0.118- 0.276)	15.4 (0.606)	PG 9	8 (0.315)	29 (1.14)	47 (1.850)	19 (0.748)	22 (0.866)
PCGA-09	5 - 10 (0.197- 0.394)	15.4 (0.606)	PG 9	8 (0.315)	29 (1.14)	47 (1.850)	19 (0.748)	22 (0.866)
PCGA-11R	5 - 7 (0.197- 0.276)	18.8 (0.740)	PG 11	8 (0.315)	31.3 (1.23)	51 (2.008)	22 (0.866)	24 (0.945)
PCGA-11	6 - 12 (0.236- 0.472)	18.8 (0.740)	PG 11	8 (0.315)	31.3 (1.23)	51 (2.008)	22 (0.866)	24 (0.945)
PCGA-13.5R	7 - 12 (0.276- 0.472)	20.7 (0.815)	PG 13.5	9 (0.354)	34 (1.34)	54.7 (2.154)	24 (0.945)	27 (1.063)
PCGA-13.5	10 - 14 (0.394- 0.551)	20.7 (0.815)	PG 13.5	9 (0.354)	34 (1.34)	54.7 (2.154)	24 (0.945)	27 (1.063)
PCGA-16	11 - 17 (0.433- 0.669)	22.8 (0.900)	PG 16	10 (0.394)	38.2 (1.50)	57 (2.241)	27 (1.063)	29 (1.142)
PCGA-21	15 - 21 (0.591- 0.827)	28.6 (1.125)	PG 21	11 (0.433)	45.7 (1.80)	71 (2.795)	33 (1.299)	36 (1.417)
PCGA-29	21 - 28 (0.827- 1.102)	37.4 (1.475)	PG 29	11 (0.433)	57 (2.24)	85 (3.346)	42 (1.654)	46 (1.811)

Standard color is gray. For black, add "-B" to the end of the part number (e.g. PCGA-09R-B).

Materials:

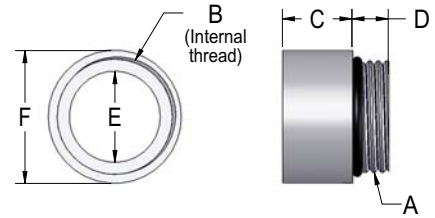
Body: Polyamide
Seal: Neoprene



Cable Glands: PG Threads

Adapters

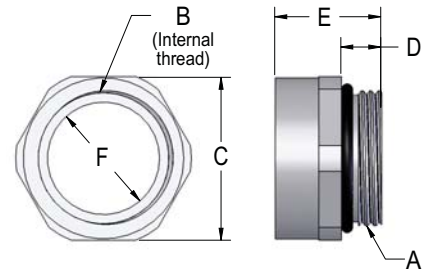
PG to NPT Adapter						
Part Number	A External	B Internal	C (mm)	D (mm)	E (mm)	F (mm)
PG11-3/8	PG 11	3/8" NPT	14	6.0	13.5	20
PG11-1/2	PG 11	1/2" NPT	18	6.5	13	24
PG13.5-1/2	PG 13.5	1/2" NPT	18	6.5	17	24
PG16-1/2	PG 16	1/2" NPT	18	6.5	17	24
PG21-3/4	PG 21	3/4" NPT	18	7.0	22	30
PG29-1	PG 29	1.0" NPT	18	8.0	29	39
PG36-1.25	PG 36	1.25" NPT	20	9.0	36	50
PG42-1.5	PG 42	1.5" NPT	18	10	42.7	57



Materials:

Body: Nickel Plated Brass
O-Ring: BUNA-N

PG to Metric Adapter						
Part Number	A External	B Internal	C (mm)	D (mm)	E (mm)	F (mm)
PG07-M12	PG 07	M12 x 1.5	14	5	15	9
PG09-M16	PG 09	M16 x 1.5	19	6	16	12.2
PG11-M16	PG 11	M16 x 1.5	22	6	16	13
PG13.5-M20	PG 13.5	M20 x 1.5	24	6.5	17.5	16
PG16-M20	PG 16	M20 x 1.5	27	6.5	17.5	18.5
PG16-M25	PG 16	M25 x 1.5	30	6.5	18.5	18.5
PG21-M25	PG 21	M25 x 1.5	32	7	19	23
PG21-M32	PG 21	M32 x 1.5	36	7	20	23
PG29-M40	PG 29	M40 x 1.5	43	8	21	32
PG36-M50	PG 36	M50 x 1.5	55	9	23	42
PG42-M63	PG 42	M63 x 1.5	65	10	25	48



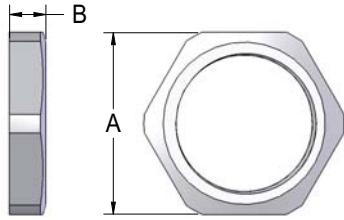
Materials:

Body: Nickel Plated Brass
O-Ring: BUNA-N

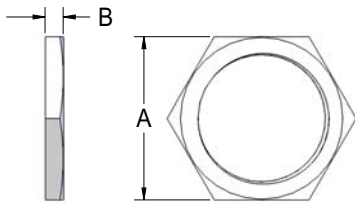
Cable Glands & Adapters

Cable Glands: PG Threads

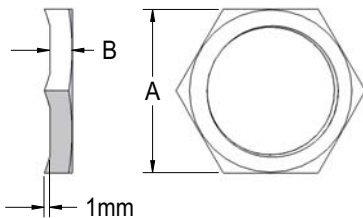
Nuts ❖ Plastic & Metal



Material:
Polyamide



Standard Metal Nut



Cutting Metal Nut

Material:
Nickel Plated Brass

Plastic Nuts				
Part Number		A (mm)	B (mm)	Thread Type
Gray	Black			
207PA	207PA/SW	19	5	PG 7
209PA	209PA/SW	22	5	PG 9
211PA	211PA/SW	24	5	PG 11
213PA	213PA/SW	27	6	PG 13.5
216PA	216PA/SW	30	6	PG 16
221PA	221PA/SW	36	7	PG 21
229PA	229PA/SW	46	7	PG 29
236PA	236PA/SW	60	8	PG 36
242PA	242PA/SW	65	8	PG 42
248PA	248PA/SW	70	8	PG 48

Metal Nuts				
Part Number		A (mm)	B (mm)	Thread Type
Standard	Cutting			
207M	207MPOT	15	2.8	PG 7
209M	209MPOT	18	2.8	PG 9
211M	211MPOT	21	3	PG 11
213M	213MPOT	23	3	PG 13.5
216M	216MPOT	26	3	PG 16
221M	221MPOT	32	3.5	PG 21
229M	229MPOT	41	4	PG 29
236M	236MPOT	51	5	PG 36
242M	242MPOT	65	5	PG 42
248M	248MPOT	69	5.5	PG 48



Cable Glands: PG Threads

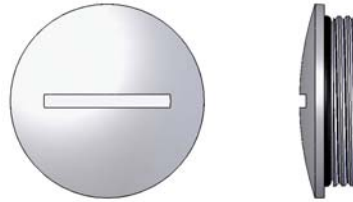
Blanking Plugs ❖ Blind Plugs

Blanking Plugs							
Part Number			Plastic		Metal		Thread Type
Gray Plastic	Black Plastic	Metal	Diameter (mm)	Thread Length (mm)	Diameter (mm)	Thread Length (mm)	
CRB-07PA	CRB-07PA/SW	CRB-07	15	6	16	4.5	PG 07
CRB-09PA	CRB-09PA/SW	CRB-09	19	6	19	4.5	PG 09
CRB-11PA	CRB-11PA/SW	CRB-11	22	6	22	4.5	PG 11
CRB-13.5PA	CRB-13.5PA/SW	CRB-13.5	25	6	24	6.0	PG 13.5
CRB-16PA	CRB-16PA/SW	CRB-16	27	6	26	6.0	PG 16
CRB-21PA	CRB-21PA/SW	CRB-21	33	8	32	6.0	PG 21
CRB-29PA	CRB-29PA/SW	CRB-29	44.5	8	39	8.0	PG 29
CRB-36PA	CRB-36PA/SW	CRB-36	55.5	10	50	9.0	PG 36
CRB-42PA	CRB-42PA/SW	CRB-42	62.5	10	57	10.0	PG 42
CRB-48PA	CRB-48PA/SW	CRB-48	69.5	12	64	10.0	PG 48

Materials:

Metal: Nickel Plated Brass

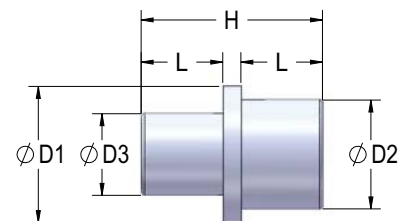
Plastic: Polystyrene



Blind Plugs

This insert is used to block a PCG or MCG style cable gland that is not currently in use, but is installed onto a panel. The Blind Plug will enable the cable gland to seal to IP 68. The Blind Plug is NOT for use in the EX style cable glands.

Blind Plugs						
Part Number	Thread Type	L	H	D1	D2	D3
PG07-BP	PG 07	6	14	8.5	6.5	5
PG09-BP	PG 09	7	16	10	8	6
PG11-BP	PG 11	8	18	12	10	7
PG13.5-BP	PG 13.5	9	20	14	12	9
PG16-BP	PG 16	10	22.5	16	14	12
PG21-BP	PG 21	12	26.5	20	18	16
PG29-BP	PG 29	14	30.5	28	25	20



Material:

Polyamide

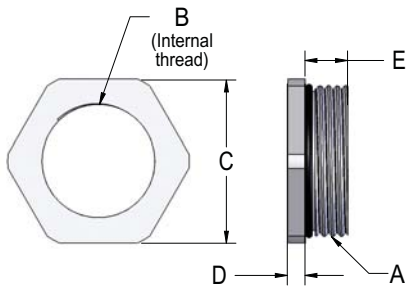
Cable Glands: PG Threads

Reducers & Enlargers



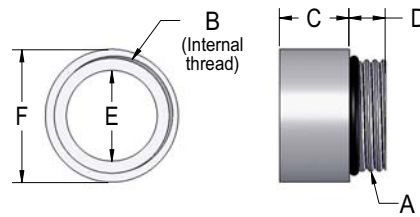
PG Reducers					
Part Number	A	B	C (mm)	D (mm)	E (mm)
CEC-07	PG 09	PG 07	18	2.5	6
CEC-07X	PG 11	PG 07	20	2.5	6
CEC-07Y	PG 13.5	PG 07	24	3	6.5
CEC-07Z	PG 16	PG 07	24	3	6.5
CEC-09	PG 11	PG 09	20	2.5	6
CEC-09X	PG 13.5	PG 09	24	3	6.5
CEC-09Y	PG 16	PG 09	24	3	6.5
CEC-11	PG 13.5	PG 11	24	3	6.5
CEC-11X	PG 16	PG 11	24	3	6.5
CEC-13.5	PG 16	PG 13.5	24	3	6.5
CEC-13.5X	PG 21	PG 13.5	32	3	7
CEC-16	PG 21	PG 16	32	3	7
CEC-16X	PG 29	PG 16	41	3.5	8
CEC-21	PG 29	PG 21	41	3.5	8
CEC-29	PG 36	PG 29	50	3.5	9

PG Enlargers						
Part Number	A	B	C (mm)	D (mm)	E (mm)	F (mm)
CRC-07	PG 07	PG 09	10	5	10	17
CRC-09	PG 09	PG 11	10.5	6	12	20
CRC-09X	PG 09	PG 13.5	11.5	6	12	22
CRC-11	PG 11	PG 13.5	11.5	6	15	22
CRC-11X	PG 11	PG 16	12.5	6.5	15	24
CRC-13.5	PG 13.5	PG 16	12.5	6.5	17	24
CRC-16	PG 16	PG 21	14.5	6.5	18.5	30
CRC-16X	PG 16	PG 29	16	6.5	18.5	39
CRC-21	PG 21	PG 29	16	7	24	39
CRC-29	PG 29	PG 36	19.5	8	32	50
CRC-36	PG 36	PG 42	22	9	42	57



Materials:

Body: Nickel Plated Brass
O-Ring: BUNA-N



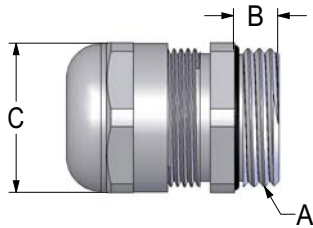
Materials:

Body: Nickel Plated Brass
O-Ring: BUNA-N



Cable Glands: Metric Threads

Standard Brass Cable Glands



Mencom Cable Glands are easy to use and provide a good strain relief and water tight seal for round cables. The cable glands are rated up to IP 68 (comparable to NEMA 6P). The glands have a wide clamping range.

A Locking Nut and an O-Ring are supplied on all Metric threaded Metal Cable Glands, except where noted.

Part Number	Diameter Range (mm)	A Mounting Hole Clearance (mm)	B Thread Length (mm)	C Wrench Flats (mm)	Thread Type
MCG-M06*	2 - 3.2	6.5	6	8	M6 x 1.0
MCG-M08*	3 - 5	8.5	4	11	M8 x 1.25
MCG-M12	3 - 6	12.5	5	14	M12 x 1.5
MCG-M16	3 - 9	16.5	5	17	M16 x 1.5
MCG-M20	5 - 13	20.5	6	22	M20 x 1.25
MCG-M25	8 - 16	25.5	7	27	M25 x 1.25
MCG-M32	12 - 21	32.5	8	34	M32 x 1.25
MCG-M40	16 - 27	40.5	8	43	M40 x 1.25
MCG-M50	21 - 35	50.5	9	55	M50 x 1.25
MCG-M63	27-48	63.5	10	65	M63 x 1.25

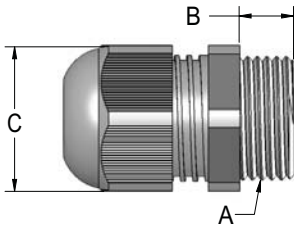
* MCG-M06 & MCG-M08 are not supplied with Locking Nuts. Nuts are not available for these cable glands.

Material:

Body: Nickel Plated Brass
 Insert: Polyamide
 Seal: Neoprene
 O-Ring: BUNA-N

Cable Glands: Metric Threads

Standard Plastic Cable Glands



Mencom Cable Glands are easy to use and provide a good strain relief and water tight seal for round cables. The cable glands are rated up to IP 68-5 Bar (comparable to NEMA 6P). The glands have a wide clamping range.

A Locking Nut is supplied on all Metric threaded parts. O-Rings are not required to maintain a seal on any sizes smaller than M32. An O-Ring is supplied on size M32 and larger.

Part Number		Diameter Range (mm)	A Mounting Hole Clearance (mm)	B Thread Length (mm)	C Wrench Flats (mm)	Thread Type
Gray	Black					
PCG-M12R	PCG-M12R-B	2 - 5	12.5	8	15	M12 x 1.5
PCG-M12	PCG-M12-B	3 - 6.5	12.5	8	15	M12 x 1.5
PCG-M16R	PCG-M16R-B	3 - 7	16.5	8	22	M16 x 1.5
PCG-M16	PCG-M16-B	5 - 10	16.5	8	22	M16 x 1.5
PCG-M20R	PCG-M20R-B	5 - 9	20.5	8	24	M20 x 1.5
PCG-M20	PCG-M20-B	10 - 14	20.5	8	24	M20 x 1.5
PCG-M25R	PCG-M25R-B	9 - 16	25.5	8	33	M25 x 1.5
PCG-M25	PCG-M25-B	13 - 18	25.5	8	33	M25 x 1.5
PCG-M32R	PCG-M32R-B	12 - 20	32.5	10	42	M32 x 1.5
PCG-M32	PCG-M32-B	18 - 25	32.5	10	42	M32 x 1.5
PCG-M40R	PCG-M40R-B	20 - 26	40.5	10	53	M40 x 1.5
PCG-M40	PCG-M40-B	22 - 32	40.5	10	53	M40 x 1.5
PCG-M50R	PCG-M50R-B	25 - 31	50.5	12	60	M50 x 1.5
PCG-M50	PCG-M50-B	30 - 38	50.5	12	60	M50 x 1.5
PCG-M63R	PCG-M63R-B	29 - 35	63.5	12	65	M63 x 1.5
PCG-M63	PCG-M63-B	34 - 44	63.5	12	65	M63 x 1.5

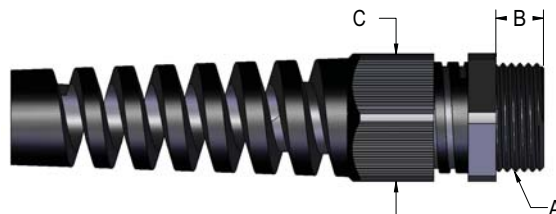
For the Flex Style Version, add "S" to the part number (e.g. PCG-M25-BS). Flex Styles are not available on the PCG-M32 to PCG-M63 versions.

Longer thread styles are available (15 mm long for M16 - M32 and 18 mm long for M40 - M63). Add an "L" after the part number, but before any "-B" (e.g. PCG-M32RL or PCG-M25L-B)

Material:

Body: Polyamide

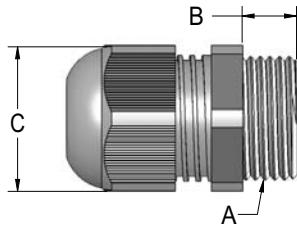
Seal: Neoprene





Cable Glands: Metric Threads

Dual Grommet Plastic Cable Glands



These Cable Glands have a dual grommet system that allows for a much wider range in diameter than the standard plastic cable glands. Cables that are in the lower part of the diameter range will fit into the cable gland without any change. For cables that are in the upper part of the diameter range, the dome nut is removed and the seals are removed. Separate the inner seal from the outer seal into the cable gland and then put the outer seal back in place. It is now ready for use with the larger cable.

A Locking Nut is supplied on all Metric threaded parts. An O-Ring is not needed on any sizes smaller than M32. An O-Ring is supplied on size M32 and larger.

Part Number		Diameter Range (mm)	A Mounting Hole Clearance (mm)	B Thread Length (mm)	C Wrench Flats (mm)	Thread Type
Gray	Black					
PCGU-M12	PCGU-M12-B	2 - 5	12.5	8	15	M12 x 1.5
PCGU-M16	PCGU-M16-B	3 - 10	16.5	8	20	M16 x 1.5
PCGU-M20	PCGU-M20-B	5 - 13	20.5	8	24	M20 x 1.5
PCGU-M25	PCGU-M25-B	8 - 17	25.5	8	29	M25 x 1.5
PCGU-M32	PCGU-M32-B	12 - 21	32.5	10	36	M32 x 1.5
PCGU-M40	PCGU-M40-B	16 - 28	40.5	10	46	M40 x 1.5
PCGU-M50	PCGU-M50-B	21 - 35	50.5	12	55	M50 x 1.5
PCGU-M63	PCGU-M63-B	27 - 48	63.5	12	68	M63 x 1.5

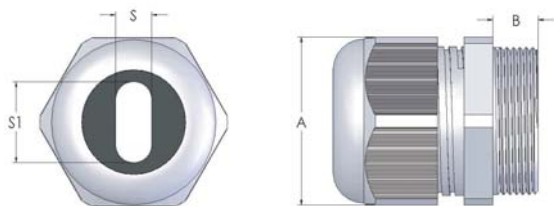
Material:

Body: Polyamide

O-Ring: BUNA-N

Cable Glands: Metric, PG & NPT Threads

Cable Glands for Flat & Festoon Cable



Cable Glands for Flat Cable Applications

Mencom's plastic and brass cable glands are perfect for flat and festoon cables. Sealing ratings up to IP 66 can be obtained.

A Locking Nut is supplied on all Metric and PG threaded parts. An O-Ring is not needed for the plastic style cable glands smaller than M32. O-Rings are supplied on M32 and larger sizes.

Plastic Version									
Part Numbers		A Wrench Flats (mm)	B Thread Length (mm)	S1 DIM MAX (mm)	S1 DIM MIN (mm)	S DIM MAX (mm)	S DIM MIN (mm)	Thread Type	Mounting Hole Clearance (mm)
Gray	Black								
PFG-M20-12X5	PFG-M20-12X5-B	24	8	12	8	5	2	M20 x 1.5	20.5
PFG-M25-16.3X6	PFG-M25-16.3X6-B	29	8	16.3	10	6	2	M25 x 1.5	25.5
PFG-M32-20X9	PFG-M32-20X9-B	36	10	20	12	9	3	M32 x 1.5	32.5
PFG-M40-27X10	PFG-M40-27X10-B	46	10	27	19	10	3	M40 x 1.5	40.5
PFG-M50-34X13	PFG-M50-34X13-B	55	12	34	23	13	4	M50 x 1.5	50.5
PFG-M63-45X15	PFG-M63-45X15-B	68	12	45	32	15	6	M63 x 1.5	63.5
PFG-1/2-12X5	PFG-1/2-12X5-B	22	13	12	8	5	2	1/2-14 NPT	21.5
PFG-13.5-12X5	PFG-13.5-12X5-B	22	6.5	12	8	5	2	PG13.5	20.7

Brass Version								
Part Numbers	A Wrench Flats (mm)	B Thread Length (mm)	S1 DIM MAX (mm)	S1 DIM MIN (mm)	S DIM MAX (mm)	S DIM MIN (mm)	Thread Type	Mounting Hole Clearance (mm)
MFG-M20-12X5	24	6	12	9	5	2	M20 x 1.5	20.5
MFG-M25-16.3X6	29	7	16.3	11	6	2	M25 x 1.5	25.5
MFG-M32-20X9	36	8	20	13	9	3	M32 x 1.5	32.5
MFG-M40-27X10	46	8	27	17	10	3	M40 x 1.5	40.5
MFG-M50-34X13	55	9	34	24	13	4	M50 x 1.5	50.5
MFG-M63-45X15	68	10	45	33	15	6	M63 x 1.5	63.5
MFG-1/2-12X5	22	13	12	9	5	2	1/2" - 14 NPT	21.5
MFG-13.5-12X5	22	6.5	12	9	5	2	PG 13.5	20.7

Plastic Version Materials:

Body: Polyamide
Grommet: TPE
O-Ring: BUNA-N

Brass Version Materials:

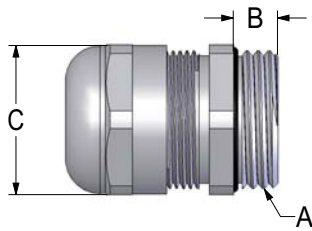
Body: Nickel Plated
Brass
Insert: Polyamide
Grommet: TPE
O-Ring: BUNA-N

Sealing for these cable glands is IP 66 only if the cable matches the slot dimensions exactly. For cables that are less than the "max", but more than the "min", the seals are rated to IP 54. Longer thread lengths are available for some of these cable glands, please consult the factory.



Cable Glands: Metric Threads

EMI Shielding Brass Cable Glands ❖ Metric Threads



Mencom EMI Cable Glands provide an easy way to ground the shield from a shielded cable to the body of the metal cable gland. The seal rating is IP 68.

Special cutting Locking Nuts can be ordered separately. The Lock Nuts have sharp "teeth" that will cut through painted surfaces, see page V-21.

Part Number	Diameter Range (mm)	A Mounting Hole Clearance (mm)	B Thread Length (mm)	C Wrench Flats (mm)	Thread Type
MCGB-M12 *	3 - 6	12.5	5	14	M12 x 1.5
MCGB-M12L	3 - 6	12.5	10	14	M12 x 1.5
MCGB-M16 *	3 - 9	16.5	5	17	M16 x 1.5
MCGB-M16L	3 - 9	16.5	10	17	M16 x 1.5
MCGB-M20 *	5 - 13	20.5	6	22	M20 x 1.5
MCGB-M20L	5 - 13	20.5	10	22	M20 x 1.5
MCGB-M25	8 - 16	25.5	7	27	M25 x 1.5
MCGB-M25L	8 - 16	25.5	11	27	M25 x 1.5
MCGB-M32	12 - 21	32.5	8	34	M32 x 1.5
MCGB-M32L	12 - 21	32.5	13	34	M32 x 1.5
MCGB-M40	16 - 27	40.5	8	43	M40 x 1.5
MCGB-M40L	16 - 27	40.5	13	43	M40 x 1.5
MCGB-M50	21 - 35	50.5	9	55	M50 x 1.5
MCGB-M50L	21 - 35	50.5	14	55	M50 x 1.5
MCGB-M63	27 - 48	63.5	10	65	M63 x 1.5

Lock Nuts are supplied with all cable glands listed other than those with an *. These threads are too short to be used with Lock Nuts.

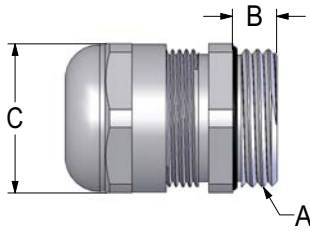


Materials:

Body: Nickel Plated Brass
 Insert: Polyamide
 Seal: Neoprene

Cable Glands: Metric Threads

Explosion-Proof Brass Cable Glands



These Explosion-Proof Cable Glands are made of Nickel Plated Brass and are for potentially explosive areas according to EN 50014 and EN 50019. The type of protection is EExd e II-increased safety. There is excellent strain relief, a wide clamping range, and a torsion protected plastic insert that is resistant to impact at cold temperatures. Also, the cable glands feature a neoprene sealing insert, the O-Ring seal is BUNA-N, and the permanent ambient temperature is -25°C to +80°C (-13° F to +176°F). Protection type is IP 68 according to EN 60529, E-Generation, certificate of conformity: DMT 99 ATEX E 016. Locking Nuts must be ordered separately.

Part Number	Diameter Range (mm)	A Mounting Hole Clearance (mm)	B Thread Length (mm)	C Wrench Flats (mm)	Thread Type
MCGEX-M12	3 - 6.5	12.5	5	14	M12 x 1.5
MCGEX-M16	5 - 9	16.5	5	17	M16 x 1.5
MCGEX-M20	6 - 12	20.5	6	22	M20 x 1.5
MCGEX-M25	11 - 16	25.5	7	27	M25 x 1.5
MCGEX-M32	14 - 21	32.5	8	34	M32 x 1.5
MCGEX-M40	19 - 27	40.5	8	43	M40 x 1.5
MCGEX-M50	24 - 35	50.5	9	55	M50 x 1.5
MCGEX-M63	32 - 42	63.5	10	65	M63 x 1.5

ATEX 100a

With a view toward further harmonization of the legal provisions in the European Union in respect to the use of equipment and protection systems in accordance with the regulations in areas subject to explosion hazards, the European Parliament and Council passed Directive 94/9/EC on the 23rd of March, 1994. This directive is also known as ATEX 100A. The period for implementing this guideline started on the 1st of March, 1996 and from the 1st of July, 2003 onwards, it will replace and supplement all directives on explosion protection applicable to date at the European level. The single market requires national regulations to be replaced by European Standards (EN).

The ATEX 100A governs the requirements for all (both electrical and non-electrical) equipment and protection systems which are intended for use in areas subject to explosion hazards. Monitoring, control and safety equipment for use outside areas subject to explosion hazards also fall within the provisions of this directive if they are necessary in view of explosion hazards for the safe running of equipment and protection systems.

The explosion-proof cable glands listed in this catalog are produced in Germany and are for use in areas subject to explosion hazards. Such parts are also termed "cable glands and entry fittings" (abbreviated KLE) and "accessories."

EN 50014 defines cable glands and entry fittings as equipment which allows one or several electrical and/or fibre optic cables or wires to be inserted into electrical equipment while retaining the corresponding type of protection.

The explosion-proof KLE items contained in this catalog are suitable for inserting cables and wires into housing of protection type EEx e "increased safety," and EEx i "inherent safety" in Device Groups II and Categories 2 and 3.

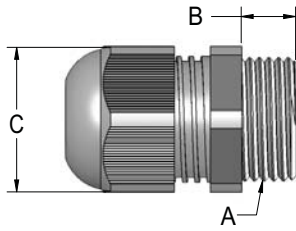
For further information on ATEX and European explosion-proof classifications, please consult the factory.

These specifications are not intended to be correlated to or to be a substitution for U.S. Explosion-Proof ratings.



Cable Glands: Metric Threads

Explosion-Proof Plastic Cable Glands



Type of protection EExd e II- increased safety. Permanent ambient temperature -50°C to +55°C (-58°F to +131°F). Protection type is IP 66 according to EN 60529. Certificate of conformity: PTB-No. Ex-92-C.3142; PTB-No. Ex-92.C3108X (M12 & M16).

Locking Nuts must be ordered separately.

Color	Part Number	Diameter Range (mm)	A Mounting Hole Clearance (mm)	B Thread Length (mm)	C Wrench Flats (mm)	Thread Type
Black	PCGEX-M12-B	4 - 7	12.5	8	15	M12 x 1.5
Black	PCGEX-M12L-B	4 - 7	12.5	12	15	M12 x 1.5
Black	PCGEX-M16-B	5.5 - 10	16.5	8	20	M16 x 1.5
Black	PCGEX-M16L-B	5.5 - 10	16.5	12	20	M16 x 1.5
Black	PCGEX-M20-B	5.5 - 13	20.5	8	24	M20 x 1.5
Black	PCGEX-M20L-B	5.5 - 13	20.5	13	24	M20 x 1.5
Black	PCGEX-M25-B	8 - 17	25.5	8	29	M25 x 1.5
Black	PCGEX-M25L-B	8 - 17	25.5	13	29	M25 x 1.5
Black	PCGEX-M32-B	12 - 21	32.5	10	36	M32 x 1.5
Black	PCGEX-M40-B	17 - 28	40.5	10	46	M40 x 1.5
Black	PCGEX-M50-B	22 - 35	50.5	12	55	M50 x 1.5
Black	PCGEX-M63-B	27 - 48	63.5	12	68	M63 x 1.5

Intrinsically safe explosion proof versions are also available, please consult the factory. Protection type EExd e II is a standard European classification.

Materials: ALCRYM

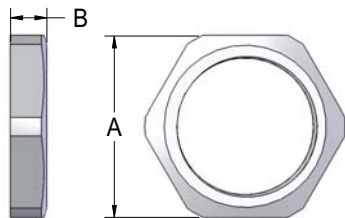
These specifications are NOT intended to be correlated to or to be a substitution for U.S. Explosion-Proof ratings.

Cable Glands: Metric Threads

Nuts & Plugs

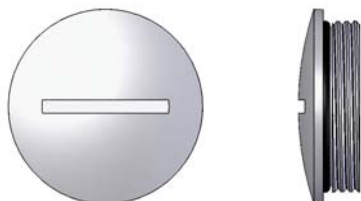


Nuts								
Part Number				Plastic		Metal		Thread Type
Gray Plastic	Black Plastic	Metal	Cutting	A (mm)	B (mm)	A (mm)	B (mm)	
2M12PA	2M12PA/SW	2M12M	2M12MPOT	17	5	15	2.8	M12 x 1.5
2M16PA	2M16PA/SW	2M16M	2M16MPOT	22	5	19	2.8	M16 x 1.5
2M20PA	2M20PA/SW	2M20M	2M20MPOT	27	6	24	3	M20 x 1.5
2M25PA	2M25PA/SW	2M25M	2M25MPOT	32	6	30	3.5	M25 x 1.5
2M32PA	2M32PA/SW	2M32M	2M32MPOT	41	7	36	4	M32 x 1.5
2M40PA	2M40PA/SW	2M40M	2M40MPOT	50	7	46	5	M40 x 1.5
2M50PA	2M50PA/SW	2M50M	2M50MPOT	60	8	60	5	M50 x 1.5
2M63PA	2M63PA/SW	2M63M	2M63MPOT	75	8	70	6	M63 x 1.5



Material:
 Plastic: Polyamide
 Metal: Nickel Plated Brass
 O-Ring: BUNA-N

Blanking Plugs							
Part Number			Plastic		Metal		Thread Type
Gray Plastic	Black Plastic	Metal	Diameter (mm)	Thread Length (mm)	Diameter (mm)	Thread Length (mm)	
CRB-M12PA	CRB-M12PA/SW	CRB-M12	15	6	16	5	M12 x 1.5
CRB-M16PA	CRB-M16PA/SW	CRB-M16	20	6	20	6	M16 x 1.5
CRB-M20PA	CRB-M20PA/SW	CRB-M20	24	6	24	6.5	M20 x 1.5
CRB-M25PA	CRB-M25PA/SW	CRB-M25	30	8	28	7	M25 x 1.5
CRB-M32PA	CRB-M32PA/SW	CRB-M32	37	8	35	8	M32 x 1.5
CRB-M40PA	CRB-M40PA/SW	CRB-M40	46	8	45	8	M40 x 1.5
CRB-M50PA	CRB-M50PA/SW	CRB-M50	56	10	55	9	M50 x 1.5
CRB-M63PA	CRB-M63PA/SW	CRB-M63	70	12	68	10	M63 x 1.5



Material:
 Plastic: Polyamide
 Metal: Nickel Plated Brass
 O-Ring: BUNA-N

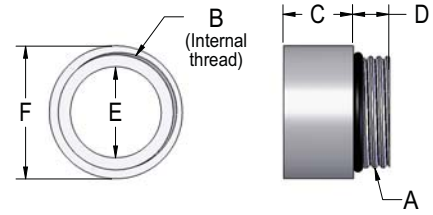
Cable Glands & Adapters



Cable Glands: Metric Threads

Adapters

Metric to PG						
Part Number	A	B	C (mm)	D (mm)	E (mm)	F (mm)
M12-PG9	M12 x 1.5	PG 09	11	5	8	17
M16-PG11	M16 x 1.5	PG 11	11.5	5	12	20
M20-PG16	M20 x 1.5	PG 16	13.5	6	15	24
M25-PG21	M25 x 1.5	PG 21	14.5	7	21	30
M32-PG29	M32 x 1.5	PG 29	17	8	26	39
M40-PG36	M40 x 1.5	PG 36	20.5	8	34	50
M50-PG42	M50 x 1.5	PG 42	23	9	44	57
M50-PG48	M50 x 1.5	PG 48	24	9	44	64

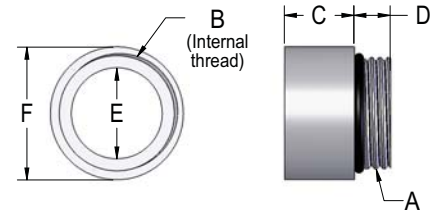


Material:

Body: Nickel Plated Brass

O-Ring: BUNA-N

Metric to NPT (Metal)						
Part Number	A	B	C (mm)	D (mm)	E (mm)	F (mm)
M16-1/2	M16 x 1.5	1/2" NPT	18.5	6.5	11	24
M20-1/2	M20 x 1.5	1/2" NPT	18.5	6.5	15	24
M25-3/4	M25 x 1.5	3/4" NPT	21	7	18	30
M32-3/4	M32 x 1.5	3/4" NPT	18	8	23	37
M32-1	M32 x 1.5	1" NPT	25	8	27	38
M40-1.25	M40 x 1.5	1.25" NPT	26	8	34	46

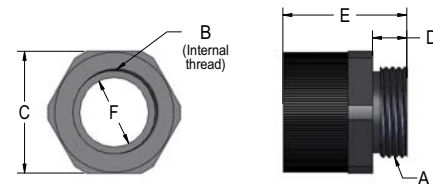


Material:

Body: Nickel Plated Brass

O-Ring: BUNA-N

Metric to NPT (Black Plastic)						
Part Number	A	B	C (mm)	D (mm)	E (mm)	F (mm)
M16-1/2PA/SW	M16 x 1.5	1/2" NPT	27	8	28	11
M20-1/2PA/SW	M20 x 1.5	1/2" NPT	27	8	27	15



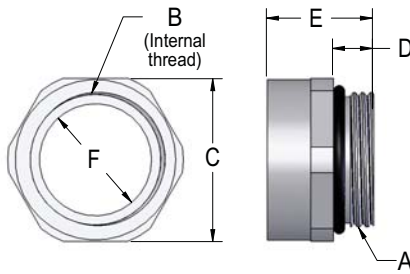
Material:

Body: Polyamide

Cable Glands & Adapters

Cable Glands: Metric Threads

Reducers & Enlargers

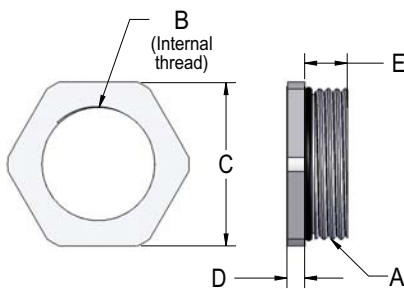


Material:

Body: Nickel Plated Brass

O-Ring: BUNA-N

Metric Enlargers						
Part Number	A	B	C (mm)	D (mm)	E (mm)	F (mm)
CRC-M12	M12 x 1.5	M16 x 1.5	18	5	16	8
CRC-M16	M16 x 1.5	M20 x 1.5	22	5	16.5	12
CRC-M20	M20 x 1.5	M25 x 1.5	27	6	18.5	15
CRC-M25	M25 x 1.5	M32 x 1.5	34	7	20.5	21
CRC-M32	M32 x 1.5	M40 x 1.5	42	8	23.5	26
CRC-M40	M40 x 1.5	M50 x 1.5	52	8	30	34
CRC-M50	M50 x 1.5	M63 x 1.5	65	9	32.5	44



Material:

Body: Nickel Plated Brass

O-Ring: BUNA-N

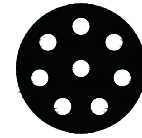
Metric Reducers					
Part Number	A	B	C (mm)	D (mm)	E (mm)
CEC-M12	M16 x 1.5	M12 x 1.5	17	5	8
CEC-M12X	M20 x 1.5	M12 x 1.5	22	6	9
CEC-M16	M20 x 1.5	M16 x 1.5	22	6	9
CEC-M16X	M25 x 1.5	M16 x 1.5	27	7	10
CEC-M20	M25 x 1.5	M20 x 1.5	27	7	10
CEC-M20X	M32 x 1.5	M20 x 1.5	34	8	11
CEC-M25	M32 x 1.5	M25 x 1.5	34	8	11
CEC-M20Y	M40 x 1.5	M20 x 1.5	43	8	12
CEC-M25X	M40 x 1.5	M25 x 1.5	43	8	12
CEC-M32	M40 x 1.5	M32 x 1.5	43	8	12
CEC-M25Y	M50 x 1.5	M25 x 1.5	55	9	13
CEC-M32X	M50 x 1.5	M32 x 1.5	55	9	13
CEC-M40	M50 x 1.5	M40 x 1.5	55	9	13
CEC-M32Y	M63 x 1.5	M32 x 1.5	65	10	14
CEC-M40X	M63 x 1.5	M40 x 1.5	65	10	14
CEC-M50	M63 x 1.5	M50 x 1.5	65	10	14



Cable Glands: PG Threads

Multi-Hole Cable Gland Inserts ❖ PG 9 - PG 13.5 Cable Gland Accessories

Mencom Multi-Hole Cable Gland Inserts will allow the user to use one cable gland for multiple wires, cables, or tubes. The inserts fit into the Mencom "MCG" or "PCG" cable glands, and will seal to IP 65.



Part Number	# of Holes	Diameter of Holes mm (inches)	Fits Into	
PG09-0x0	0	None		
PG09-2x3	2	3 (0.118)		
PG09-2x3.5	2	3.5 (0.138)	MCG-09	PCG-09
PG09-3x2	3	2 (0.079)	MCG-09R	PCG-09-B
PG09-3x3.5	3	3.5 (0.138)	MCG-3/8	PCG-09R
PG09-4x2	4	2 (0.079)	MCG-3/8R	PCG-09R-B
PG09-4x3	4	3 (0.118)		
PG11-0x0	0	None		
PG11-2x3	2	3 (0.118)		
PG11-2x4	2	4 (0.157)	MCG-11	PCG-3/8-B
PG11-2x4.5	2	4.5 (0.177)	MCG-11R	PCG-3/8R
PG11-2x5	2	5 (0.197)	PCG-11	PCG-3/8R-B
PG11-3x3	3	3 (0.118)	PCG-11-B	PCG-M16
PG11-3x4	3	4 (0.157)	PCG-11R	PCG-M16-B
PG11-3x5	3	5 (0.197)	PCG-11R-B	PCG-M16R
PG11-4x3	4	3 (0.118)	PCG-3/8	PCG-M16R-B
PG11-7x2.7	7	2.7 (0.107)		
PG11-8x2	8	2 (0.079)		
PG13.5-0x0	0	None	MCG-13.5	PCG-13.5R-B
PG13.5-2x4.5	2	4.5 (0.177)	MCG-13.5R	PCG-1/2X
PG13.5-2x5	2	5 (0.197)	MCG-1/2	PCG-1/2X-B
PG13.5-2x6	2	6 (0.236)	MCG-1/2R	PCB-1/2Y
PG13-3x4	3	4 (0.157)	PCG-13.5	PCG-1/2Y-B
PG13-3x5	3	5 (0.197)	PCG-13.5-B	PCG-M20R
			PCG-13.5R	PCG-M20R-B
PG16-0x0	0	None		
PG16-2x4	2	4 (0.157)		
PG16-2x6	2	6 (0.236)		
PG16-3x4	3	4 (0.157)	MCG-16	PCG-1/2
PG16-3x4.5	3	4.5 (0.177)	MCG-16R	PCG-1/2-B
PG16-3x5	3	5 (0.197)	PCG-16	PCG-1/2R
PG16-3x6	3	6 (0.236)	PCG-16-B	PCG-1/2R-B
PG16-3x6.5	3	6.5 (0.256)	PCG-16R	PCG-M20
PG16-3x7	3	7 (0.276)	PCG-16R-B	PCG-M20B
PG16-4x4	4	4 (0.157)		
PG16-4x5	4	5 (0.197)		
PG16-4x6	4	6 (0.236)		
PG16-5x4	5	4 (0.157)		

Inserts are intended for use with wires, cables, or tubes that have diameters that are within ± 0.020 " of the "hole diameter" listed.

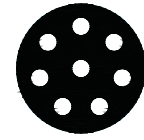
Inserts without holes allow the user to drill holes for low volume, custom applications.

Cable Glands: PG Threads

Multi-Hole Cable Gland Inserts ❖ PG 16 - PG 29 Cable Gland Accessories



Mencom Multi-Hole Cable Gland Inserts will allow the user to use one cable gland for multiple wires, cables, or tubes. The inserts fit into the Mencom "MCG" or "PCG" cable glands, and will seal to IP 65.



Part Number	# of Holes	Diameter of Holes mm (inches)	Fits Into		
PG21-0x0	0	None	MCG-21 MCG-21R PCG-21-B PCG-21R PCG-21R-B PCG-3/4 PCG-3/4-B PCG-3/4-R PCG-3/4R-B PCG-M25 PCG-M25-B PCG-M25R PCG-M25R-B		
PG21-2x7	2	7 (0.276)			
PG21-2x8	2	8 (0.315)			
PG21-2x9	2	9 (0.354)			
PG21-3x7	3	7 (0.276)			
PG21-3x8	3	8 (0.315)			
PG21-4x5	4	5 (0.197)			
PG21-4x6.5	4	6.5 (0.256)			
PG21-4x7	4	7 (0.276)			
PG21-4x7.5	4	7.5 (0.295)			
PG21-5x5	5	5 (0.197)			
PG29-0x0	0	None			
PG29-5x8.5	5	8.5 (0.335)			
PG29-6x5	6	5 (0.197)			
PG29-6x7.5	6	7.5 (0.295)			
PG29-8x5	8	5 (0.197)			
M25-0x0	0	None	MCG-3/4 MCG-3/4R MCG-M25		
M25-2x8	2	8 (0.315)			
M25-3x4	3	4 (0.157)			
M25-3x7	3	7 (0.107)			
M25-4x5	4	5 (0.197)			
M25-4x6.5	4	6.5 (0.256)			
M25-6x6	6	6 (0.236)			

Inserts can be pre-installed in cable glands for orders of 100 or more. Order as follows:

Multi-Hole Insert
PG 11-3X3

Desired Cable Gland
MCG-11

Resulting Part Number
MCG-11-3X3



Cable Glands: NPT, PG & Metric

ASI Cable Glands & O-Rings ❖ Cable Glands & Accessories

Part Number		Figure Number	A Mounting Hole Clearance	B Thread Length	C Wrench Flats	Thread Type
Gray	Black					
Plastic ASI Cable Glands						
PCG-1/2-ASI	PCG-1/2-B-ASI	Figure 1	.825"	.591"	1.06"	1/2" NPT
PCG-1/2-2ASI	PCG-1/2-B-2ASI	Figure 2	.825"	.591"	1.06"	1/2" NPT
PCG-13.5-ASI	PCG-13.5-B-ASI	Figure 1	.825"	.354"	.945"	PG 13.5
PCG-13.5-2ASI	PCG-13.5-B-2ASI	Figure 2	.825"	.354"	.945"	PG 13.5
PCG-M20-ASI	PCG-M20-B-ASI	Figure 1	20.5 mm	8 mm	27 mm	M20x1.5
PCG-M20-2ASI	PCG-M20-B-2ASI	Figure 2	20.5 mm	8 mm	27 mm	M20x1.5
PCG-M25-ASI	PCG-M25-B-ASI	Figure 1	25.5 mm	8 mm	33 mm	M25x1.5
PCG-M25-2ASI	PCG-M25-B-2ASI	Figure 2	25.5 mm	8 mm	33 mm	M25x1.5
Metal ASI Cable Glands						
MCG-1/2-ASI		Figure 1	.825"	.591"	1.06"	1/2" NPT
MCG-13.5-ASI		Figure 1	.825"	.256"	.945"	PG 13.5
MCG-M20-ASI		Figure 1	20.5 mm	6 mm	22 mm	M20x1.5
MCG-M25-ASI		Figure 1	25.5 mm	7 mm	27 mm	M25x1.5
MCG-M25-2ASI		Figure 2	25.5 mm	7 mm	27 mm	M25x1.5

Figure 1: Single

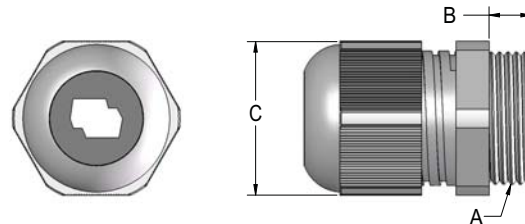
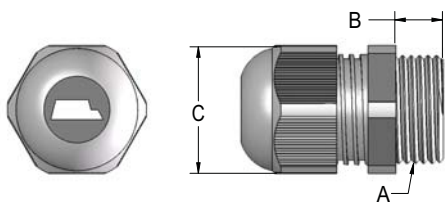
Plastic Material:

Body: Polyamide
Seal: Neoprene

Metal Material:

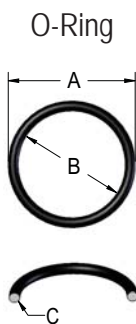
Body: Nickel Plated Brass
Insert: Polyamide
Seal: Neoprene

Figure 2: Double



For Metric Threads: O-Rings (100 Pieces/Package)				
Part Number	Size	A (mm)	B (mm)	C (mm)
3M12G	M12	12	9	1.5
309G	M16	16	13	1.5
313G	M20	21	18	2.0
3M25G	M25	27	23	2.0
3M32G	M32	34	29	2.5
3M40G	M40	41	37	2.0
3M50G	M50	52	47	2.5
3M63G	M63	66	60	3.0

For PG Threads: O-Rings (100 Pieces/Package)				
Part Number	Size	A (mm)	B (mm)	C (mm)
307G	PG 07	13	10	1.5
309G	PG 09	17	13	1.5
311G	PG 11	20	16	2.0
313G	PG 13.5	22	18	2.0
316G	PG 16	24	20	2.0
321G	PG 21	28	24	2.0
329G	PG 29	37	33	2.0
336G	PG 36	47	42	2.5
342G	PG 42	53	48	2.5
348G	PG 48	60	54	3.0



Material:

O-Ring: BUNA-N

Sealing Glands: Click Seal

Click Seal ❖ TSS



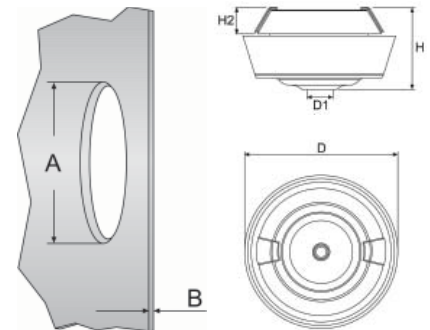
Click Seal Metric										
Color	Part Number	Size	IP 67 Diameter Range (mm)	IP 65 Diameter Range (mm)	A Mounting Hole Clearance (mm)	B Panel Thickness Range (mm)	L1 (mm)	L2 (mm)	L3 (mm)	SW (mm)
Gray	SGL-M20-TGY	M20	7 - 11	4 - 11	20.5	2 - 5	17 - 20	5.7	4.0	29.3 - 34.5
Gray	SGL-M25-TGY	M25	7 - 13	4 - 14	25.5	2 - 5	17 - 20	5.7	5.0	34.3 - 40.0

For volume use, black or light gray glands are available. Please consult the factory for part numbers and availability.

Materials:

Body: TPE (Thermoplastic Elastomer) and Polyamide
 Temperature: -20°C to +125°C (-4° to +257°F)
 Protection: IP67 and IP65

Test standard EN60529:1991+A1, EN50262:1998, EMKO-TUI (03-SEC) FI001/84
 The IP67 cable range has been tested to the same EN 50262 pull force requirements as Mencom's standard PCG cable glands.



Height of only 17-20 mm, 5.7 mm on the outside irrespective of size. Cable glands are approx. 30-40 mm.

Handles large range of cable and pipe diameters.

Installation time saving up to 90%.

Ergonomic installation

Fixed in both directions when mounted.

Rubber coated tension relief for protection of the cable mantle.

Integrated tension relief

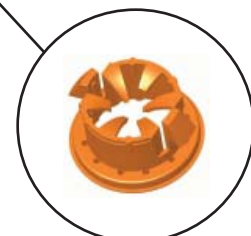
"Pushout" membrane

Self-adjusting to wall thickness 2 - 5 mm.

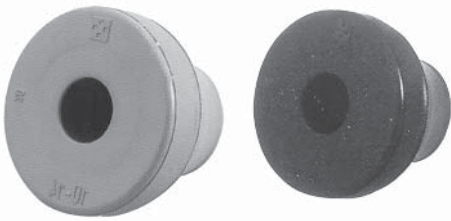
Space saving design

Fixed IP67 / IP65

Click Seal means no material compression during installation.



Cable Glands & Adapters



Sealing Glands: PG

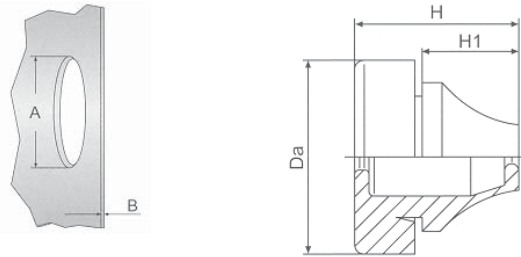
EPDM ❖ Chloroprene

EPDM Sealing Glands for PG Holes								
Color	Part Number	Size	Diameter Range (mm)	A Mounting Hole Clearance (mm)	B Panel Thickness Range (mm)	Da (mm)	H (mm)	H1 (mm)
Gray	SG-PG07-EGY	PG 7	3 - 5	13	0.5 - 2	20	12.6	5.4
Gray	SG-PG09-EGY	PG 9	5 - 7	16	1 - 4	21	17.8	10.3
Gray	SG-PG11-EGY	PG 11	7 - 10	19	1 - 4	24	19.8	12.7
Gray	SG-PG16-EGY	PG 16	10 - 14	23	1 - 4	28	21.6	14.7
Gray	SG-PG21-EGY	PG 21	14 - 20	29	1 - 4	35	24.6	17.6
Gray	SG-PG29-EGY	PG 29	20 - 26	38	1 - 4	46	28.5	20.0
Gray	SG-PG36-EGY	PG 36	26 - 35	48	1 - 4	58	34.9	23.9

For volume use, black or light gray glands are available. Please consult the factory for part numbers and availability.

Materials:

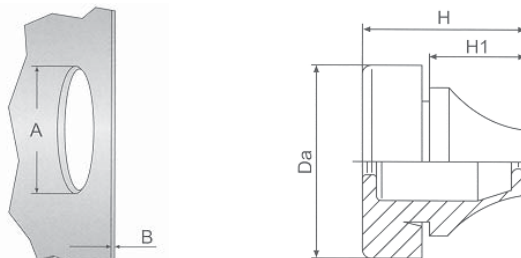
Body: EPDM
 Temperature: -40°C to +110°C (-40° to +230°F)
 Protection: IP67



Chloroprene Sealing Glands for PG Holes								
Color	Part Number	Size	Diameter Range (mm)	A Mounting Hole Clearance (mm)	B Panel Thickness Range (mm)	Da (mm)	H (mm)	H1 (mm)
Black	SG-PG07-CBK	PG 7	3 - 5	13	0.5 - 2	20	12.6	5.4
Black	SG-PG09-CBK	PG 9	5 - 7	16	1 - 4	21	17.8	10.3
Black	SG-PG11-CBK	PG 11	7 - 10	19	1 - 4	24	19.8	12.7
Black	SG-PG16-CBK	PG 16	10 - 14	23	1 - 4	28	21.6	14.7
Black	SG-PG21-CBK	PG 21	14 - 20	29	1 - 4	35	24.6	17.6
Black	SG-PG29-CBK	PG 29	20 - 26	38	1 - 4	46	28.5	20.0
Black	SG-PG36-CBK	PG 36	26 - 35	48	1 - 4	58	34.9	23.9

Materials:

Body: Chloroprene
 Temperature: -30°C to +100°C (-22° to +212°F)
 Protection: IP67



Cable Glands & Adapters

Sealing Glands: Metric

EPDM ❖ Chloroprene ❖ TSS



EPDM or Chloroprene Sealing Glands for Metric Holes										
Color	EPDM Part Number	Color	Chloroprene Part Number	Size	Diameter Range (mm)	A Mounting Hole Clearance (mm)	B Panel Thickness Range (mm)	Da (mm)	H (mm)	H1 (mm)
Gray	SG-M12-EGY	Black	SG-M12-CBK	M12	4 - 7	12.5	0.5 - 2	20	12.8	5.6
Gray	SG-M16-EGY	Black	SG-M16-CBK	M16	5 - 9	16.5	1 - 4	21	17.7	11.0
Gray	SG-M20-EGY	Black	SG-M20-CBK	M20	8 - 13	20.5	1 - 4	25.5	20.0	13.4
Gray	SG-M25-EGY	Black	SG-M25-CBK	M25	11 - 17	25.5	1 - 4	30.5	21.3	15.3
Gray	SG-M32-EGY	Black	SG-M32-CBK	M32	15 - 20	32.5	1 - 4	38.5	24.6	18.6
Gray	SG-M40-EGY	Black	SG-M40-CBK	M40	19 - 28	40.5	1 - 4	48.5	29.5	21.7
Gray	SG-M50-EGY	Black	SG-M50-CBK	M50	27 - 35	50.5	1 - 4	60.5	34.8	25.0

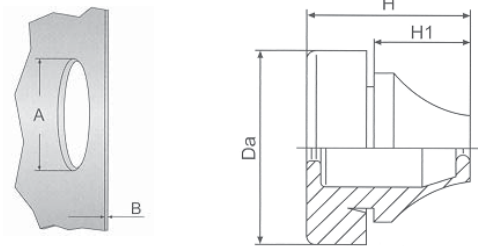
For volume use, black or white glands are available. Please consult the factory for part numbers and availability.

Materials:

Body: EPDM
 Temperature: -40°C to +110°C (-40° to +230°F)
 Protection: IP67

Materials:

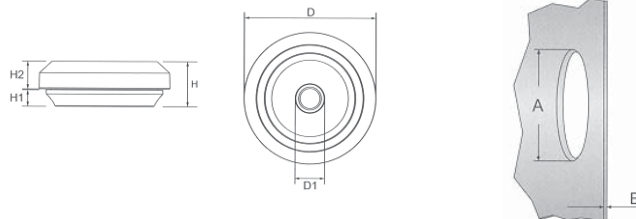
Body: Chloroprene
 Temperature: -30°C to +100°C (-22° to +212°F)
 Protection: IP67



TSS Metric										
Color	Part Number	Size	Diameter Range (mm)	A Mounting Hole Clearance (mm)	B Panel Thickness Range (mm)	H (mm)	H1 (mm)	H2 (mm)	D (mm)	D1 (mm)
Gray	SGC-M16-TGY	M16	5 - 10	16.5	0.5 - 3.0	11	4	6.75	23.5	4
Gray	SGC-M20-TGY	M20	6 - 13	20.5	0.5 - 3.0	11	4	6.75	27.5	5
Gray	SGC-M25-TGY	M25	8 - 17	25.5	0.5 - 3.5	11	4	6.75	32.5	7
Gray	SGC-M32-TGY	M32	12 - 24	32.5	0.5 - 4.5	11	4	6.75	39.5	11

Materials:

Body: TPE (Thermoplastic Elastomer)
 Temperature: -50°C to +125°C (-58° to +257°F)
 Protection: IP67





Cable Entry System

Frames



This unique and versatile cable entry system allows for custom designed solutions based on individual applications. Simply put the inserts together, place them in the frame, and install on your panel. Whether you have two large cables, or fifty small cables, or any combination between the two, this flexible frame and insert design can provide what you need.

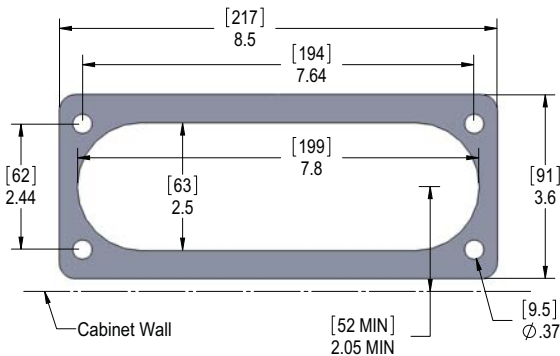
Fiberglass reinforced Polypropylene is used for the frame and the inserts, ensuring a rigid and reliable structure. The soft TPE insert membrane allows for the ease of a push-out design with exceptional sealing properties.

With this cable entry system you have the freedom to decide where the inserts are placed, and where the different size openings should be in the frame. You will get a sealing solution that is easy to install, that allows for growth, and still maintains an IP65 protection rating.

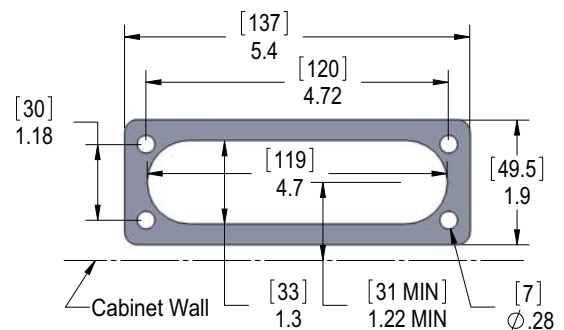


No tools are needed to install cables once the frame has been mounted. The inserts have push-out membranes that insure a proper seal every time. If additional strain relief is desired, the membranes can be removed and a standard cable gland can be mounted in the resulting hole.

Part Number	Description	View
FL21-FRAME	<p>Large frame for flexible cable entry system</p> <p>Frame will accept a maximum of five 34mm wide inserts. Total insert length not to exceed 170mm.</p> <p>Frame will accept combinations of insert with the part numbers FLI-44-001, FLI-44-002, FLI-42-001, FLI-42-002, & FLI-42-003.</p>	
FL13-FRAME	<p>Small frame for flexible cable entry system</p> <p>Frame will accept a maximum of three 34mm wide inserts. Total insert length not to exceed 102mm.</p> <p>Frame will accept combinations of inserts with the part numbers FLI-42-001, FLI-42-002, FLI-42-0003 & FLI-22-001.</p>	



FL21-Frame



FL13-Frame

Cable Entry System

Inserts



Part Number	Description	View
FLI-44-001	Cable entry system insert, 2xM16 and 2xM25, 68 mm x 68 mm	
FLI-44-002	Cable entry system insert, Knock-out for M32, M40, or M50, 68 mm x 68 mm	
FLI-42-001	Cable entry system insert, 2xM20, 68 mm x 34 mm	
FLI-42-002	Cable entry system insert, 2xM25, 68 mm x 34 mm	
FLI-42-003	Cable entry system insert, 10x4 mm, 68 mm x 34 mm	
FLI-22-001	Cable entry system insert 1xM20, 34 mm x 34 mm	

Specifications:

Material: Fiberglass reinforced Polypropylene and TPE
 UL approved halogen-free material
 Protection: IP65
 Temperature: -20°C.....+125°C

Cable Opening Size	Cable Range
M16	5 - 10 mm
M20	6 - 13 mm
M25	8 - 17 mm
4-10	4 - 10 mm

Cable Glands & Adapters

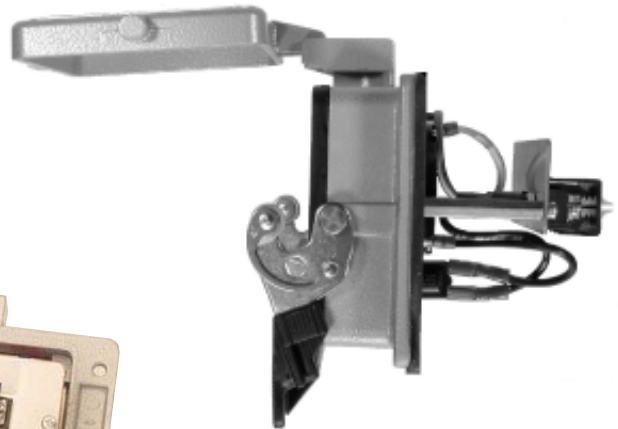
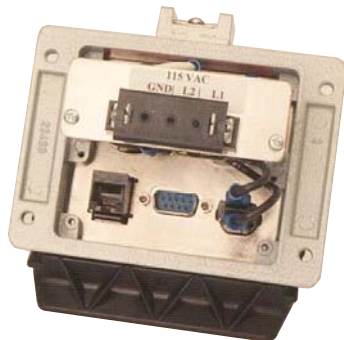




Panel Interface Connectors

PIC..... 2-16

Accessories 17-18



Panel Interface Connectors

What is a Panel Interface Connector, and why should I use one?

These two questions are often asked by design engineers, machine programmers, and safety personnel alike. Before we list our broad offering of these products, let us answer these two questions.

What is a Panel Interface Connector? A panel interface connector (herein referred to as PIC) is a device that typically mounts to the outside of a control panel housing a PLC, computer, or other type of programmable device. Once in place, the PIC, which houses convenient pass through connections, allows the user to interface with the computer, PLC, or other devices inside the control panel without opening the panel door. This in essence addresses the second question. Why should I use a PIC?

The ability to interface with the contents of the cabinet without opening the door eliminates some potential safety hazards associated with having an open electrical panel. One of the main safety concerns is usually Arc Flash. An arc flash explosion is an extremely dangerous system malfunction that occurs when a short is created between electrified conductors. This can happen when the conductors can no longer contain the applied voltage, or when the isolation between the conductors is breached. As a result, the air surrounding the short can ionize and create an intense "arc flash." These explosions, with temperatures capable of exceeding 5000°F, have been known to cause severe burns and fatalities. In an effort to help protect individuals on the shop floor, the National Fire Protection Agency (NFPA) has written standards (NFPA 70E) that require protection boundaries, training, and clothing, for operators. Only properly trained personnel, with fire-resistant suits, hoods, and gloves, with non-conductive tools, are allowed access to enclosures capable of producing an arc flash. The training, the equipment, and the time are all expensive. The use of a PIC eliminates the need to open the door, thus eliminating the need for extra training, equipment, and time.



Mencom currently has well over 2000 PIC designs in production. However, new ones are being created on a regular basis, so if you do not find what you are looking for on the following pages, just contact us and we will see if we have what you need or work with you to design what you need.

A basic PIC typically contains a power outlet (single, duplex, or GFCI) along with one or more of the connectors commonly used by the PLC, computer, or other programmable device within the control cabinet. These connectors include, but are not limited to, D-Subminiature (9, 15, 25, 37, or high density 15,) RJ45, RJ11, mini Din, BNC, USB, Ethernet, & Device Net. The above describes the content of a typical PIC, however, a PIC can be provided with almost any combination of connectors, those listed above plus others, and can come with or without a power outlet.

A list of some of the more popular PIC's can be found on the next few pages.

Basic PIC facts:

- Housings are UL Type 12, 4, & 4x. UL File # E183955
- All connections are normally straight through, pin 1 to pin 1, etc.
- All D-Sub connectors are FEMALE EXTERIOR and MALE INTERIOR referenced to the cabinet. Other configurations such as male interior and exterior, male exterior and female interior, and female interior and exterior are available.
- The 9 pin and 25 pin D-Subs pin configurations are available as a break out configuration in some units. These connectors allow for the D-Sub to be separated into individual lines. This allows the user to connect to the D-Sub by way of screw terminal connections.
- All "mini-DIN" and circular DINS, BNC, Coax and RJs are configured FEMALE EXTERIOR and INTERIOR.
- Many units are also configured for Allen Bradley's®* Data Highway system. In this case the 9 pin D-Sub and/or 8 pin "mini-DIN" are connected to a 3 pin pluggable terminal block commonly used with "BLUE HOSE" applications. For MicroLogix PLC's please consult the factory for configurations.
- The internal power connection is made via a covered terminal block with screw connections.
- The standard reset is a 3 amp to limit the power output of the unit. Other amperages are available, please consult the factory.

**Registered trademark of Allen Bradley Company, LLC*



Mencom continues to be the industry leader in inventory and breadth of product line for Panel Interface Connectors. The following pages show just a small sampling of the 2000 plus designs we have in production. We are not limited to just what is represented in this catalog.

If you do not see a listed design that meets your needs, please contact the factory and we will see if we have what you need or work with you to design a custom product.

Following is a brief outline of how this chapter is presented:

1. The first section includes 34 of the more commonly used Panel Interface Connectors. We have listed the part numbers, the connector components, and given a face view of the most popular PIC's.
2. Next is a broad list of additional PIC's including part numbers and general descriptions of the components. They are separated by categories which include Duplex receptacles, GFCI receptacles, Single Outlet, International receptacles, and units without a power plug, such as D-Sub, RJ45, USB, BNC, and others.
3. The next section shows part numbers, descriptions, and face views of the most common components used within a PIC. This section along with housing section is used to assist in designing custom PICs. If you do not find a PIC on the list that meets your needs, just follow these steps below.

Create your own PIC following these simple steps:

1. Pick out the components you would like. (pages W-11– W13)
(If you do not find the components you need listed in this section, contact your inside sales representative at Mencom.)
2. Pick out the housing you would like. (pages W-14 – W-15)
3. Send the request to our inside sales department. sales@mencom.com

Our engineers will do what they can to fit all the listed components in the housing selected, or offer a housing that will hold them all.

4. This last section includes some cables, field wireable D-Sub connectors, locking accessories, and other accessories for the PIC product line.

Panel Interface Connectors		
Part Number	Description	Face View
DP-RJ45-R-32	Duplex Receptacle RJ45 3 AMP Reset Size 32 Housing	
DP-DB9-RJ45-R-32	Duplex receptacle 9 pin D-Sub RJ45 3 AMP reset Size 32 housing	
DP-DB9-R-32	Duplex receptacle 9 pin D-Sub 3 AMP reset Size 32 housing	
DP-R-32	Duplex receptacle 3 AMP reset Size 32 housing	
DP-8M-R-32	Duplex receptacle 8 pin mini-DIN 3 AMP reset Size 32 housing	
DP-USB-RJ45-32	Duplex receptacle 2- USB A connections RJ45 Size 32 housing	
DP-2DB9-R-32	Duplex receptacle 2- 9 pin D-Sub 3 AMP reset Size 32 housing	
DP-DB9-DB25-32	Duplex receptacle 9 pin D-Sub 25 pin D-Sub Size 32 housing	
DP-2RJ45-R-32	Duplex receptacle 2- RJ45 3 AMP reset Size 32 housing	

Panel Interface Connectors		
Part Number	Description	Face View
DP-USB-3-R-32 DP-USB-6-R-32 DP-USB-10-R-32	Duplex receptacle USB A female to male cable 3', 6', or 10' long 3 AMP reset Size 32 housing	
GF-RJ45-R-32	GFCI receptacle RJ45 3 AMP reset Size 32 housing	
GF-DB9-RJ45-R-32	GFCI receptacle 9 pin D-Sub RJ45 3 AMP reset Size 32 housing	
GF-DB9-R-32	GFCI receptacle 9 pin D-Sub 3 AMP reset Size 32 housing	
GF-2DB9-RJ45-32	GFCI receptacle 2- 9 pin D-Sub RJ45 Size 32 housing	
GF-USB-RJ45-32	GFCI receptacle 2- USB A connections RJ45 Size 32 housing	
DHGF-DB9-RJ45-R-32	GFCI Receptacle Data Hwy DB9 RJ45 3 AMP Reset Size 32 Housing	
DHDP-DB9-8M-R-32	Duplex receptacle Data Hwy DB9 8 pin mini-DIN (*parallel) 3 AMP reset Size 32 housing	
DHDP-DB9-RJ45-R-32	Duplex receptacle Data Hwy DB9 RJ45 3 AMP reset Size 32 housing	

Panel Interface Connectors		
Part Number	Description	Face View
DHDP-DB9-R-32	Duplex receptacle Data Hwy DB9 3 AMP reset Size 32 housing	
DHDP-8M-R-32	Duplex receptacle DH- 8 pin mini DIN 3 AMP reset Size 32 housing	
EP-RJ45-R-32	European receptacle RJ45 3 AMP reset Size 32 housing	
DP1-RJ45-16LS	Single outlet RJ45 Size 16 housing	
DP1-2DB9-RJ45-R-32	Single outlet 2- 9 pin D-Subs RJ45 3 AMP reset Size 32 housing	
DP1-DB9-16LS	Single outlet 9 pin D-Sub Size 16 housing	
DP1-DB9-RJ45-16LS	Single outlet 9 pin D-Sub RJ45 Size 16 housing	
DP1-RJ45-R-24LS	Single outlet RJ45 3 AMP reset Size 24 housing	
RJ45-06LS	RJ45 Size 6 housing	

Panel Interface Connectors		
Part Number	Description	Face View
RJ45-2-10LS	2- RJ45 Size 10 housing	
RJ45-2USB-3-16LS RJ45-2USB-6-16LS RJ45-2USB-10-16LS	RJ45 2-USB A female to male cables 3', 6', 10' long Size 16 housing	
DB09-06LS	9 pin D-Sub Size 6 housing	
RJ11-06LS	RJ11 Size 6 housing	
DB09-2-10LS	2- 9 pin D-Subs Size 10 housing	
DB09-RJ45-10LS	9 pin D-Sub RJ45 Size 10 housing	
DB09-DDB15-USB- RJ45-6M2-32	9 pin D-Sub Hi density 15 pin D-Sub 2- USB A connections RJ45 2 - 6 pin mini-DIN Size 32 housing	
DB25-16LS	25 pin D-Sub Size 16 housing	
D-USB-16LS	2- USB A connections Size 16 housing	

Panel Interface Connectors (PIC)

Duplex & GFCI Version Part Numbers ❖ NEMA/UL 4, 4X, 12 Housings

Part Number	Description
Duplex Versions	
DP-DB9-DB15-R-32	Duplex receptacle, 9 pin D-Sub, 15 pin D-Sub, 3 AMP reset, Size 32 housing
DP-DB9F-R-32	Duplex receptacle, 9 pin D-Sub Female Exterior/Female Interior, 3 AMP reset, Size 32 housing
DP-MDB9-R-32	Duplex receptacle, 9 pin D-Sub Male Exterior/Female Interior, 3 AMP reset, Size 32 housing
DP-DB9-PC9-R-32	Duplex receptacle, 9 Pin D-Sub Female to a discrete wire Pluggable Screw Terminal Block, 3 AMP reset, Size 32 housing
DP-DB9M-RJ45-R-32	Duplex receptacle, 9 pin D-Sub Male Exterior/Male Interior, RJ45, 3 AMP reset, Size 32 housing
DP-2DB9-32	Duplex receptacle, 2- 9 pin D-Sub, Size 32 housing
DP-DB15-R-32	Duplex receptacle, 15 pin D-Sub, 3 AMP reset, Size 32 housing
DP-DB15-RJ45-R-32	Duplex receptacle, 15 pin D-Sub, RJ45, 3 AMP reset, Size 32 housing
DP-DDB15-RJ45-R-32	Duplex receptacle, High Density 15 Pin D-Sub, RJ45, 3 AMP reset, Size 32 housing
DP-DB25-PC8-R-32	Duplex receptacle, 25 pin D-Sub connected to 8 pin pluggable screw terminal block, 3 AMP reset, Size 32 housing
DP-DB25-R-32	Duplex receptacle, 25 pin D-Sub, 3 AMP reset, Size 32 housing
DP-RJ11-R-32	Duplex receptacle, RJ11, 3 AMP reset, Size 32 housing
DP-RJ11-RJ45-R-32	Duplex receptacle, RJ11, RJ45, 3 AMP reset, Size 32 housing
DP-RJ45-5R-32	Duplex receptacle, RJ45, 5 AMP reset, Size 32 housing
DP-RJ45-6M-32	Duplex receptacle, RJ45, 6 pin mini-DIN female, Size 32 housing
DP-RJ45-8M-R-32	Duplex receptacle, RJ45, 8 pin mini-DIN female, 3 AMP reset, Size 32 housing
DP-USB-R-32	Duplex receptacle, 2- USB form A female to form A female, 3 AMP reset, Size 32 housing
DP-USB-10-NR-32	Duplex receptacle, USB form A female to a form A male with 10 foot cable, no reset, Size 32 housing
DP-10R-32	Duplex receptacle, 10 AMP reset, Size 32 housing
DP-15R-32	Duplex receptacle, 15 AMP reset, Size 32 housing
DPV-2DB9-8M-32	Duplex receptacle mounted vertically, 2- 9 pin D-Sub, 8 pin mini-DIN female, Size 32 housing
DPV-DB9-8M-R-32	Duplex receptacle mounted vertically, 9 pin D-Sub, 8 pin mini-DIN female, 3 AMP reset, Size 32 housing
DP-EV1-48LS	Duplex receptacle, 9 pin D-Sub, Hi density 15 pin D-Sub, 2- 6 pin mini-DIN female, 25 pin D-Sub, RJ45, Size 48 housing
GFCI Versions	
GF-R-32	120 V GFCI Receptacle, 3 AMP reset, Size 32 housing
GF-DB9-32	120 V GFCI Receptacle, 9 pin D-Sub, Size 32 housing
GF-DB9-2RJ45-32	120 V GFCI Receptacle, 9 pin D-Sub, 2- RJ45, Size 32 housing
GF-DB9F-RJ45-R-32	120 V GFCI Receptacle, 9 pin D-Sub Female Exterior/Female Interior, RJ45, 3 AMP reset, Size 32 housing
GF-MDB9-6M-R-32	120 V GFCI Receptacle, 9 pin D-Sub Male Exterior/Female Interior, 6 pin mini-DIN female, 3 AMP reset, Size 32 housing
GF-DB9M-RJ45-R-32	120 V GFCI Receptacle, 9 pin D-Sub Male Exterior/Male Interior, RJ45, 3 AMP reset, Size 32 housing
GF-DB9-PC9-RJ45-USB-48	120 V GFCI Receptacle, 9 pin D-Sub Female to a discreet wire pluggable screw terminal block, RJ45, 2-USB form A female to a form A female, Size 48 housing
GF-DB9-DN-RJ45-R-48	120 V GFCI Receptacle, 9 pin D-Sub, DeviceNet open style connector, RJ45, 3 AMP reset, Size 48 housing
GF-DB9M-DN-RJ45-R-48	120 V GFCI Receptacle, 9 pin D-Sub Male Exterior/Male Interior, DeviceNet open style connector, RJ45, 3 AMP reset, Size 48 housing
GF-2DB9-32	120 V GFCI Receptacle, 2- 9 pin D-Sub, Size 32 housing

Panel Interface Connectors (PIC)

GFCI continued & Single Outlet Version Part Numbers ❖ NEMA/UL 4, 4X, 12 Housings

Part Number	Description
GFCI Versions, continued	
GF-2DB9M-32	120 V GFCI Receptacle, 2- 9 pin D-Sub Male Exterior/Male Interior, Size 32 housing
GF-DB15-R-32	120 V GFCI Receptacle, 15 pin D-Sub, 3 AMP reset, Size 32 housing
GF-DB25-R-32	120 V GFCI Receptacle, 25 pin D-Sub, 3 AMP reset, Size 32 housing
GF-DB25-USB-5R-48	120 V GFCI Receptacle, 25 pin D-Sub, 2- USB form A female to form A female, 5 AMP reset, Size 48 housing
GF-DB25-USB-NR-48	120 V GFCI Receptacle, 25 pin D-Sub, 2- USB form A female to form A female, no reset, Size 48 housing
GF-2DB25-R-48	120 V GFCI Receptacle, 2- 25 pin D-Sub, 3 AMP reset, Size 48 housing
GF-RJ11-RJ45-R-32	120 V GFCI Receptacle, RJ11, RJ45, 3 AMP reset, Size 32 housing
GF-RJ45-6M2-32	120 V GFCI Receptacle, RJ45, 2- 6 pin mini-DIN, Size 32 housing
GF-RJ45-6M-USB-10-R-48	120 V GFCI Receptacle, RJ45, 6 pin mini-DIN, USB form A female to form A male with 10 foot cable, 3 AMP reset, Size 48 housing
GF-RJ45-NR-32	120 V GFCI Receptacle, RJ45, no reset, Size 32 housing
GF-RJ45-USB-3-R-32	120 V GFCI Receptacle, RJ45, USB form A female to form A male with 3 foot cable, 3 AMP reset, Size 32 housing
GF-USB-NR-32	120 V GFCI Receptacle, 2- USB form A female to form A female , no reset, Size 32 housing
GF-USB-R-32	120 V GFCI Receptacle, 2- USB form A female to form A female, 3 AMP reset, Size 32 housing
Single Outlet Versions	
DP1-06LS	Single outlet, Size 6 housing
DP1-DB9-R-16LS	Single outlet, 9 pin D-Sub, 3 AMP reset, Size 16 housing
DP1-DB9-RJ45-R-32	Single outlet, 9 pin D-Sub, RJ45, 3 AMP reset, Size 32 housing
DP1-DB9M-16LS	Single outlet, 9 pin D-Sub Male Exterior/Male Interior, Size 16 housing
DP1-DB9-DDB15-RJ45-R-32	Single outlet, 9 pin D-Sub, Hi density 15 pin D-Sub Female Exterior/Male Interior, RJ45, 3 AMP reset, Size 32 housing
DP1-DB9-USB-3-24LS	Single outlet, 9 pin D-Sub, USB female form A to a male form A with 3 foot cable, Size 24 housing
DP1-2DB9-DB15-32	Single outlet, 2- 9 pin D-Sub, 15 pin D-Sub, Size 32 housing
DP1-2DB9F-RJ45-R-32	Single outlet, 2- 9 pin D-Sub Female Exterior/Female Interior, RJ45, 3 AMP reset, Size 32 housing
DP1-DDB15-USB-R-32	Single outlet, Hi density 15 pin D-Sub, 2- USB form A, 3 AMP reset, Size 32 housing
DP1-DB25-24LS	Single outlet, 25 pin D-Sub, Size 24 housing
DP1-2RJ45-24LS	Single outlet, 2- RJ45, Size 24 housing
DP1-RJ45-USB-R-32	Single outlet, RJ45, 2- USB form A female to form A female, 3 AMP reset, size 32 housing
DP1-8M-16LS	Single outlet, 8 pin mini-DIN female, Size 16 housing
DP1-8M-R-24LS	Single outlet, 8 pin mini-DIN female, 3 AMP reset, Size 32 housing
DP1-USB-zz-16LS	Single outlet, USB form A female to a form A male, contact factory for available cable lengths, Size 16 housing
DP1-3USB-zz-R-32	Single outlet, 3- USB form A female to form A male, contact factory for available cable lengths, 3 AMP reset, Size 32 housing
DP1-EV-48LS	Single outlet, 9 pin D-Sub, Hi density 15 pin D-Sub, 2- 6 pin mini-DIN female, 25 pin D-Sub, RJ45, Size 48 housing
DEC-RJ45-R-32	IEC outlet, RJ45, 3 AMP reset, Size 32 housing

Panel Interface Connectors (PIC)

International, Data Highway, & DIN Rail Part Numbers ❖ NEMA/UL 4, 4X, 12 Housings

Part Number	Description
International	
Australia	
DAS-32	Australian receptacle, Size 32 housing
DAS-DB9-RJ45-R-32	Australian receptacle, 9 pin D-Sub, RJ45, 3 AMP reset, Size 32 housing
United Kingdom	
DUK-R-32	United Kingdom receptacle, 3 AMP reset, Size 32 housing
DUK-RJ45-R-32	United Kingdom receptacle, RJ45, 3 AMP reset, Size 32 housing
Continental European (German Schuko)	
EP-R-32	Continental European receptacle, 3 AMP reset, Size 32 housing
EP-DB25-RJ45-32	Continental European receptacle, 25 pin D-Sub, RJ45, Size 32 housing
Also Available:	
DIN-RJ45-R-32	India receptacle, RJ45, 3 AMP reset, Size 32 housing
DIN-R-32	India receptacle, 3 AMP reset, Size 32 housing
DIN-DB9-R-32	India receptacle, 9 pin D-Sub, RJ45, 3 AMP reset, Size 32 housing
DCH1-RJ45-R-32	China 10 AMP receptacle, RJ45, 3 AMP reset, Size 32 housing
DCH1-RJ45-32	China 10 AMP receptacle, RJ45, Size 32 housing
DCH2-RJ45-R-32	China 16 AMP receptacle, RJ45, 3 AMP reset, Size 32 housing
Data Highway	
DHDP-8M-RJ45-32	Duplex receptacle, Data highway 8 pin mini-DIN female, RJ45, Size 32 housing
DHDPV-2DB9-R-32	Duplex receptacle vertically mounted, 2- 9 pin D-Sub, Data highway for the top 9 pin D-Sub, 3 AMP reset, Size 32 housing
DHGF-DB9-R-32	120 V GFCI receptacle, Data highway 9 pin D-Sub, 3 AMP reset, Size 32 housing
DHGF-DB9L-8M-R-32	120 V GFCI receptacle, Data highway 9 pin D-Sub latch in parallel with an 8 pin mini-DIN female, 3 AMP reset, Size 32 housing
DHGF-DB9-8M-R-32	120 V GFCI receptacle, Data highway 9 pin D-Sub in parallel with an 8 pin mini-DIN female, 3 AMP reset, Size 32 housing
DHGF-8M-R-32	120 V GFCI receptacle, Data highway 8 pin mini-DIN female, 3 AMP reset, Size 32 housing
DHDP1-DB9-16LS	Single outlet receptacle, Data highway 9 pin D-Sub, Size 16 housing
DHDP1-DB9-DN-R-32	Single outlet receptacle, Data highway 9 pin D-Sub, DeviceNet open style connector, 3 AMP reset, Size 32 housing
DH-DB9-8M-16LS	Data highway 9 pin D-Sub in parallel with an 8 pin mini-DIN female, Size 16 housing
DH-DB9-USB-6-10LS	Data highway 9 pin D-Sub, USB form A female to form A male with a 6 foot cable, Size 10 housing
DIN Rail Mounted (For Inside Panels)	
DP-TS	Duplex receptacle, DIN rail mount
DP1-TS	Single outlet receptacle, DIN rail mount
DB9-TS	9 pin D-Sub, DIN rail mount
RJ45-TS	RJ45, DIN rail mount
DP1-DB9-TS	Single outlet receptacle, 9 pin D-Sub, DIN rail mount
DP1-RJ45-TS	Single outlet receptacle, RJ45, DIN rail mount

Panel Interface Connectors (PIC)

D-Sub, USB, BNC & Other Versions Part Numbers ❖ NEMA/UL 4, 4X, 12 Housings

Part Number	Description
D-Sub, USB, BNC, & Others	
DB09-2-4RJ45-32LS	2- 9 pin D-Sub, 4- RJ45, Size 32 housing
DB09-2RJ45-16LS	9 pin D-Sub, 2- RJ45, Size 16 housing
DB09-2-RJ45-5M12-24	2- 9 pin D-Sub, RJ45, 5 pin Micro DC receptacle, Size 24 housing
DB09-3-16LS	3- 9 pin D-Sub, Size 16 housing
DB09-4-24LS	4- 9 pin D-Sub, Size 24 housing
DB09M-06LS	9 pin D-Sub Male Exterior/Male Interior, Size 6 housing
DB09M-2-10LS	2- 9 pin D-Sub Male Exterior/Male Interior, Size 10 housing
DB09-PC9-06LS	9 pin D-Sub Female to a discreet wire pluggable screw terminal block, Size 6 housing
DBM09-06LS	9 pin D-Sub Male Exterior/Female Interior, Size 6 housing
DBM09-3-16LS	3- 9 pin D-Sub Male Exterior/Female Interior, Size 16 housing
DDB15-6M2-16LS	Hi density 15 pin D-Sub, 2- 6 pin mini-DIN female, Size 16 housing
DB25-2-24LS	2- 25 pin D-Sub, Size 24 housing
DB25-2-4BNC-48	2- 25 pin D-Sub, 4- BNC, Size 48 housing
RJ11-RJ45-10LS	RJ11, RJ45, Size 10 housing
RJ45-2USB-zz-24	RJ45, 2- USB form A female to form A male, contact factory for available cable lengths, size 24 housing
RJ45C-2-10LS	2- RJ45 with punchdown, Size 10 housing
D-USB-zz-06LS	USB form A female to form A male, contact factory for available cable lengths, Size 6 housing
D-USB-6M-RJ45-RJ11-32	USB form A female, 6 pin mini-DIN female, RJ45, RJ11, Size 32 housing
D-2USB-zz-10LS	2- USB form A female to form A male, contact factory for available cable lengths, Size 10 housing
D-BNC-2-10LS	2- BNC, Size 10 housing
DM6-2-10LS	2- 6 pin mini-DIN female, Size 10 housing
DM8-06LS	8 pin mini-DIN female, Size 6 housing
DN-16LS	DeviceNet open style connector (internal and external), Size 16 housing
D-FOPT-12	Fiber optic connector, 1/2"-14 NPT shell
DCD-LS	Housing and bracket for mounting CD drives
DFD-24LS-KIT	Housing and bracket for mounting 3-1/2 bay units. (floppy drives, zip drives, jazz drives, etc.) *Drives not included.

Additional configurations are available. Please consult the factory.

Panel Interface Connectors (PIC)

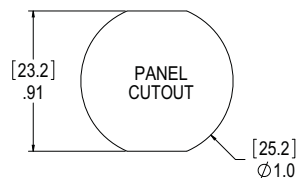
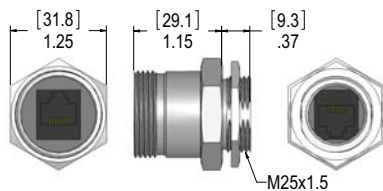
Port Adapters

Our smallest Panel Interface Connectors are ideal for tight spaces. The anodized aluminum housing has a connector port inside and can easily be mounted to a cabinet through a 1" diameter hole. The M25 mounting thread has an O-Ring and Lock Nut (not shown below). A cap is supplied with each unit to make them suitable for wash down. Stainless Steel versions are available, please consult the factory.

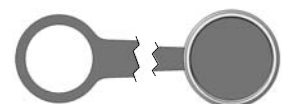
Single Port Shell with M25 Thread

Anodized aluminum standard. Stainless steel available upon request.

Part Number	Description	Front	Side	Back	Part Number	Description	Front	Side	Back
RJ45-M25	RJ45 Jack to RJ45 Jack				D-USB-AFAF-M25	USB Female TYPE A to USB Female TYPE A			
RJ11-M25	RJ11 Jack to RJ11 Jack				D-USB-AFBF-M25	USB Female TYPE A to USB Female TYPE B			
RJ22-M25	RJ22 Jack to RJ22 Jack				D-USB-BFAF-M25	USB Female TYPE B to Female TYPE A			
DM6-M25	6 PIN Female MINI-DIN to 6 PIN Female MINI-DIN				D-USB-BFBF-M25	USB Female TYPE B to Female TYPE B			
DM8-M25	8 PIN Female MINI-DIN to 8 PIN Female MINI-DIN				BNC-M25	BNC Jack to BNC Jack			
					D-FOPT-2-M25	2 Agilent HFBR Fiber Optic Adaptors			



Sealing cap with tether supplied with each unit.



Panel Interface Connectors

Panel Interface Connectors (PIC)

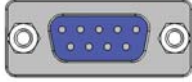



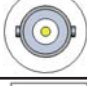
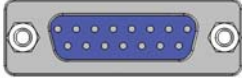


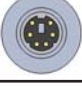

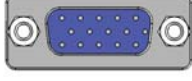


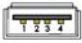
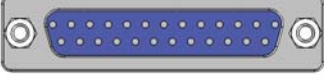

Component Face Views

Mencom Corporation offers a large variety of PIC configurations. Custom orders are welcome. Use the components listed below to configure a panel interface connector to fit your application. Please consult the factory 770-534-4585 for part numbers and application compliance.

Code	Description	Face View	Code	Description	Face View
Power Ports			Power Ports		
DP	120V Duplex Receptacle		EP	Continental European Receptacle	
DP1	120V Simplex Receptacle		DIN	India Receptacle	
DPT	120V "Twist Lock" Duplex Receptacle		DUK	United Kingdom Receptacle	
DPIG	120V Isolated Ground Duplex Receptacle		DAS	Australian Receptacle	
GF	120 V GFCI Receptacle		DCH1	China 10 AMP	
			DCH2	China 16 AMP	
			FR	French Receptacle	





Panel Interface Connectors (PIC)

Component Face Views

Code	Description	Face View	Code	Description	Face View
Communication Ports			Communication Ports		
DB9	9 Pin D-Sub Female Ext/ Male Interior		RJ45	Ethernet Female/Female	
DB9M	9 Pin D-Sub Male Ext/ Male Interior		RJ11/12	Standard Phone Female/ Female	
MDB9	9 Pin D-Sub Male Ext/ Female Interior		RJ22	Handset Jack Female/ Female	
DB9F	9 Pin D-Sub Female Ext/ Female Interior		BNC	BNC Female/Female	
DB15	15 Pin D-Sub Female Ext/Male Interior		CX	Coaxial Female/Female	
DB15M	15 Pin D-Sub Male Ext/ Male Interior		8M	8 Pin Mini-Din Female/ Female	
MDB15	15 Pin D-Sub Male Ext/ Female Interior		6M	6 Pin Mini-Din Female/ Female	
DB15F	15 Pin D-Sub Female Ext/Female Interior		DB9-PC9	9 Pin D-Sub Female to a discrete wire Pluggable Screw Terminal Block	
DDB15	Hi-Density 15 Pin D-Sub, Female Ext/Male Interior		DB25-PC25	25 Pin D-Sub Female to a discrete wire Pluggable Screw Terminal Block	
DDB15M	Hi-Density 15 Pin D-Sub Male Ext/Male Interior		USB	2 Form A to Form A Female/Female	
MDD15	Hi-Density 15 Pin D-Sub Male Ext/Female Interior		USB-3	3 Foot Cable, Female Form A to Male Form A	
DDB15F	Hi-Density 15 Pin D-Sub Female Ext/Interior		USB-6	6 Foot Cable, Female Form A to Male Form A	
DB25	25 Pin D-Sub Female Ext/Male Interior	USB-10	10 Foot Cable, Female Form A to Male Form A		
DB25M	25 Pin D-Sub Male Ext/ Male Interior	USB-AFAF	Single Form A Female to Form A Female		
MDB25	25 Pin D-Sub Male Ext/ Female Interior		USB-AFBF	Single Form A Female to Form B Female	
DB25F	25 Pin D-Sub Female Ext/Female Interior		USB-BFAF	Single Form B Female to Form A Female	
DB37	37 Pin D-Sub Female Ext/Male Interior			FIRE	Firewire
DB37M	37 Pin D-Sub Male Ext/ Male Interior			FOPT	Fiber Optic
MDB37	37 Pin D-Sub Male Ext/ Female Interior				
DB37F	37 Pin D-Sub Female Ext/Female Interior				

Panel Interface Connectors (PIC)

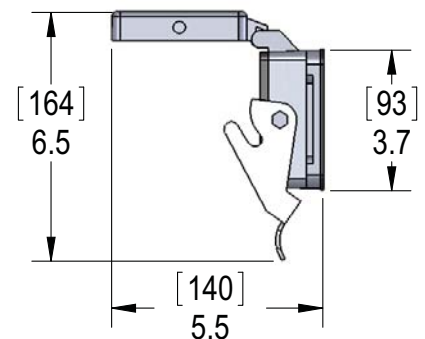
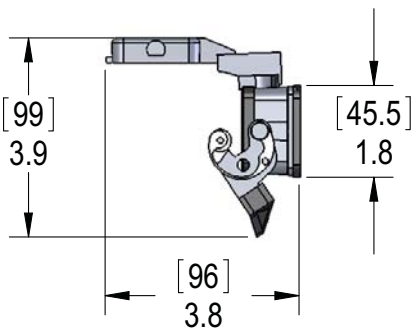
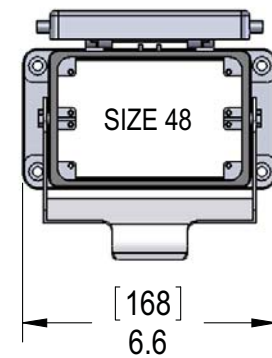
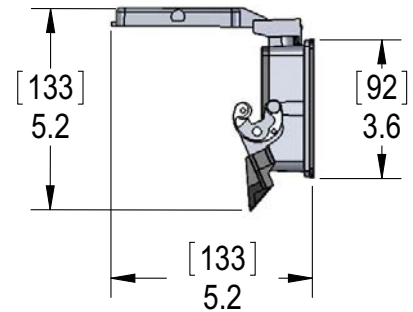
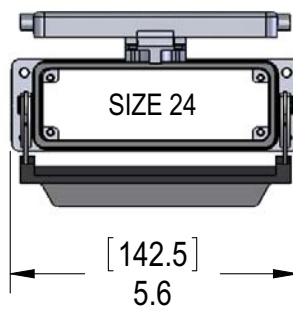
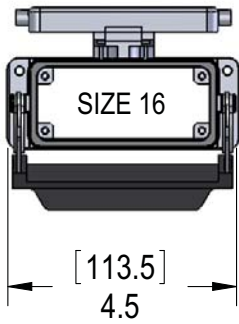
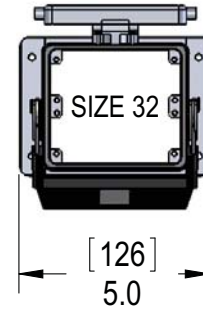
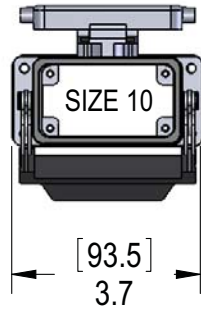
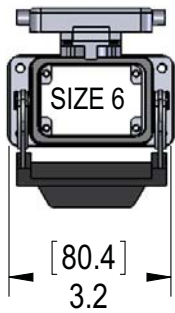
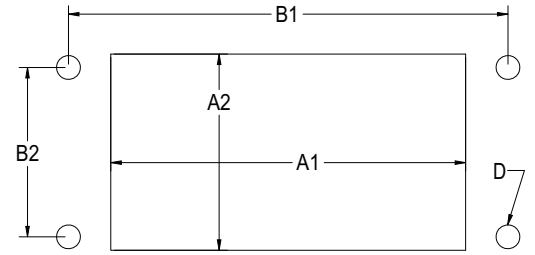
Component Face Views

Code	Description	Face View
DH Data Highway		
These communication ports are wired to a 3 pin pluggable terminal block and are designed to work with Allen Bradley's Data Highway System ("Blue Hose").		
DB9	9 Pin D-Sub to 3 pin pluggable terminal block	
8M	8 pin Mini-Din to 3 pin pluggable terminal block	
DB9-8M	9 Pin D-Sub and 8 Pin Mini-Din in parallel	
Resets		
NR	No reset	
R	3 AMP reset	
5R	5 AMP reset	
10R	10 AMP reset	
15R	15 AMP reset	
Housings		
06LS	Size 6 Bulkhead Housing	See page W-14 for dimensions.
10LS	Size 10 Bulkhead Housing	See page W-14 for dimensions.
16LS	Size 16 Bulkhead Housing	See page W-14 for dimensions.
24LS	Size 24 Bulkhead Housing	See page W-14 for dimensions.
32	Size 32 Bulkhead Housing	See page W-14 for dimensions.
48	Size 48 Bulkhead Housing	See page W-14 for dimensions.
P32	Size 32 Surface Mount Housing	See page W-15 for dimensions.

Panel Interface Connectors (PIC)

Housing Dimensions

Size	A1	A2	B1	B2	D
6	2.13"	1.46"	2.76"	1.26"	.177"
10	2.64"	1.46"	3.27"	1.26"	.177"
16	3.46"	1.46"	4.07"	1.26"	.177"
24	4.10"	1.46"	5.12"	1.26"	.177"
32	3.46"	2.99"	4.33"	2.56"	.177"
48	4.92"	3.19"	5.83"	2.76"	.256"



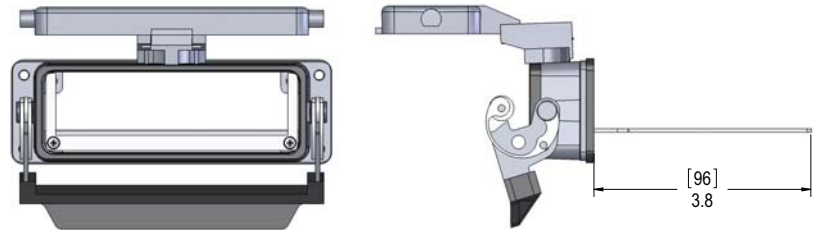
Panel Interface Connectors

Panel Interface Connectors (PIC)

Housings ❖ Punches

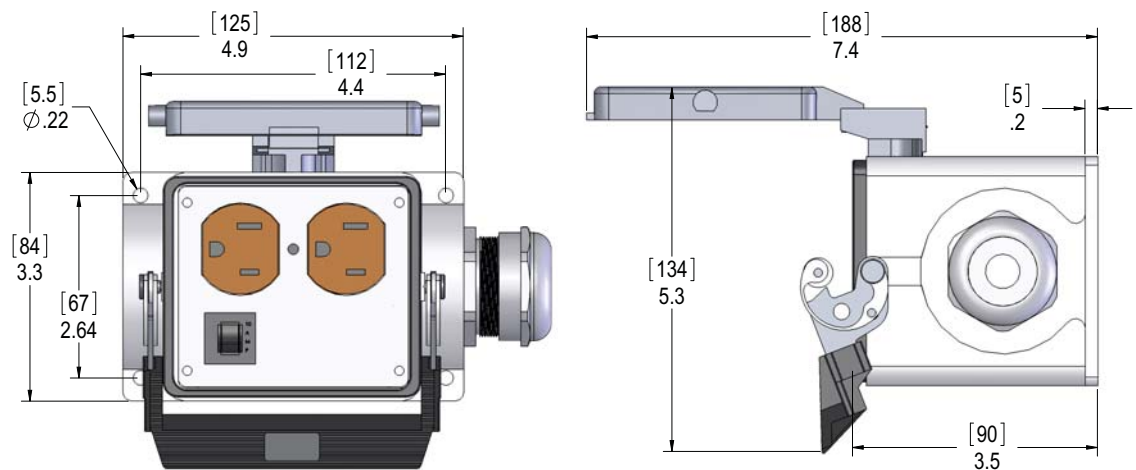
DFD Housing

Size 24 housing for mounting floppy drives and zip drives.



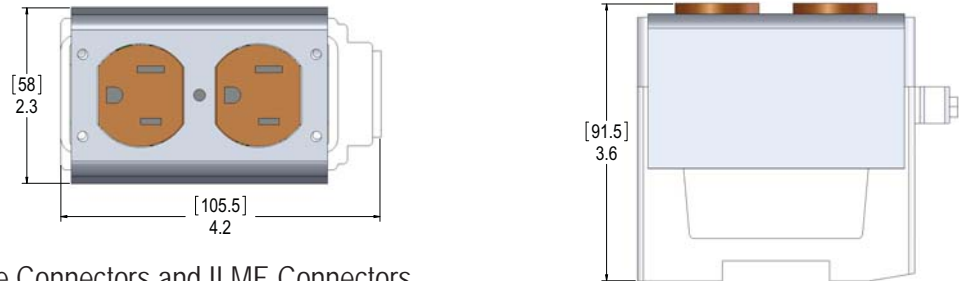
P32 Surface Mount

Fully enclosed housing to allow unit to be mounted away from the control cabinet.



TS Frame

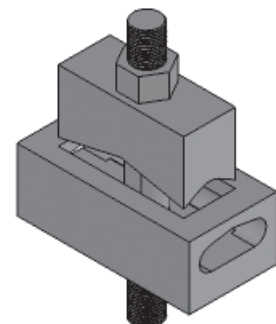
For easy mounting inside the cabinet on DIN rails. This non-watertight version will only accommodate the size 6, 10, 16 and 24 versions.



Punch & Die sets for Panel Interface Connectors and ILME Connectors

These punches are intended to be used with Greenlee hydraulic hand tools. The punch and die set are available for size 6, 10, 16 and 24 openings only. While punching, the drill holes for fastening the connectors are marked by the die with center marks so that they can easily be drilled out afterwards.

Part Number	Hole Size	Dimensions
CHI-06-PUNCH	Size 6	35 mm x 52 mm
CHI-10-PUNCH	Size 10	35 mm x 65 mm
CHI-16-PUNCH	Size 16	35 mm x 85.5 mm
CHI-24-PUNCH	Size 24	35 mm x 112.0 mm



W-15

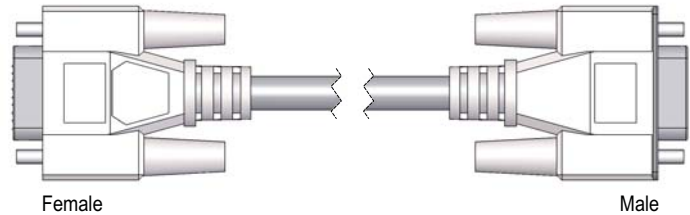
Panel Interface Connectors (PIC)

Male-Female D-Subminiature (D-Sub) Cables with Guaranteed Color Code

Mencom introduces a line of 9, 25 and 37 pin D-Subminiature connectors with a guaranteed color code along with a heavier wire gauge than is standard. These cables are especially useful for applications requiring a single ended D-Subminiature cable. Simply cut the end that is not required and use our color code chart to wire the free end. The heavier gauge wires (20AWG for the last four wires and 24 AWG for the remaining wires) allow the user to easily terminate the wires into standard terminal blocks. Crimp or solder inserts and shells are also available should the use require the reinstallation of a connector. For these accessories, see page W-19.

Specifications:

Cable Jacket: Oil Resistant Gray PVC
 Over mold: Oil Resistant Gray PVC
 Cable: 24 & 20 AWG with foil shield;
 20 AWG drain wire;
 last 4 wires are 20 AWG



Length	DB9	DB25	DB37
6 FT	DB09-MFP-06	DB25-MFP-06	DB37-MFP-06
10 FT	DB09-MFP-10	DB25-MFP-10	DB37-MFP-10
20 FT	DB09-MFP-20	DB25-MFP-20	DB37-MFP-20
30 FT	DB09-MFP-30	DB25-MFP-30	N/A
40 FT	DB09-MFP-40	DB25-MFP-40	N/A

Color Code											
DB09 Cables		DB25 Cables				DB37 Cables					
Pin #	Color Code	Pin #	Color Code	Pin #	Color Code	Pin #	Color Code	Pin #	Color Code	Pin #	Color Code
1	Black	1	Black	14	Green	1	White	14	Violet/Red	27	Yellow/Red
2	Brown	2	Black/White	15	Green/Black	2	White/Black	15	Violet	28	Gray/Red
3	Red	3	Brown	16	Green/White	3	Green	16	Violet/Black	29	Pink/Red
4	Orange	4	Brown/White	17	Blue	4	Green/Black	17	Orange	30	Red/White
5	Yellow	5	Red	18	Blue/White	5	Yellow	18	Orange/Black	31	Light Green/Red
6	Green	6	Red/Black	19	Violet	6	Yellow/Black	19	Light Blue	32	Violet/White
7	Blue	7	Red/White	20	Violet/White	7	Gray	20	Light Blue/Black	33	Light Blue/Red
8	Violet	8	Orange/Black	21	Gray	8	Gray/Black	21	Light Green	34	Brown
9	White	9	Orange	22	Gray/Black	9	Pink	22	Light Green/Black	35	Brown/White
		10	Orange/White	23	Pink	10	Pink/Black	23	Blue/Black	36	Blue
		11	Yellow	24	Pink/Black	11	Red	24	Brown/Black	37	Blue/White
		12	Yellow/Black	25	White	12	Red/Black	25	White/Orange		
		13	Light Green			13	Black	26	Green/White		

Panel Interface Connectors (PIC)

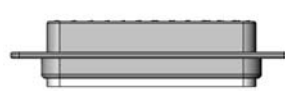
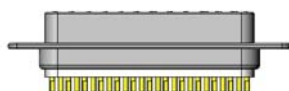
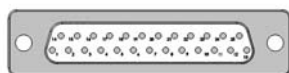
Panel Interface Accessories

D-Sub Inserts				
# of Pins	Male Solder Cup	Female Solder Cup	Male Crimp	Female Crimp
9	DB09MSC	DB09FSC	DB09MCR	DB09FCR
15	DB15MSC	DB15FSC	DB15MCR	DB15FCR
Hi-Density DB15	DDB15MSC	DDB15FSC	DDB15MCR	DDB15FCR
25	DB25MSC	DB25FSC	DB25MCR	DB25FCR
37	DB37MSC	DB37FSC	DB37MCR	DB37FCR

Crimp Pins:

Female:
Male:

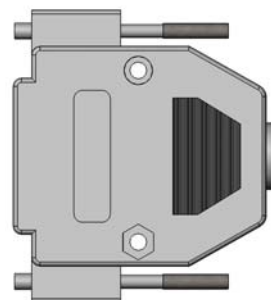
DBFCP
DBMCP



Solder Cup

Crimp Style

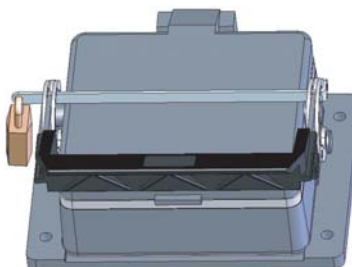
D-Sub Shells		
# of Pins	Metal	Plastic
9	DB09-SHELL	DB09-SHELL-PA
15	DB15-SHELL	DB15-SHELL-PA
25	DB25-SHELL	DB25-SHELL-PA
37	DB37-SHELL	DB37-SHELL-PA



Thumb Screws included with shells.

Shell

Locking Bar and Padlock for Panel Interface Connectors



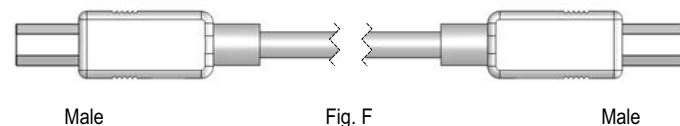
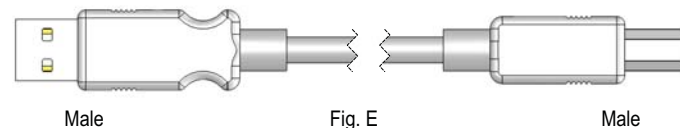
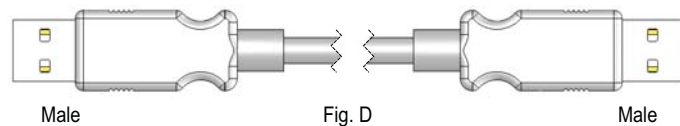
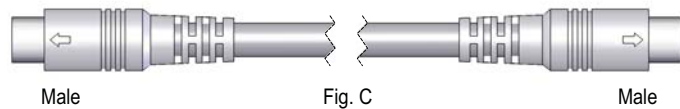
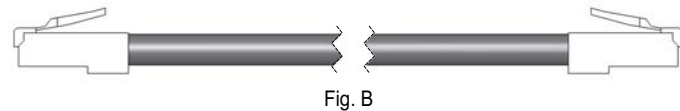
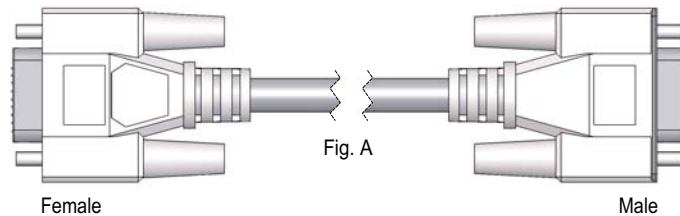
Part Number: D-PIC-LOCK

The Locking Bar and Padlock come as a kit. The bar is easily slid into the latch on the panel interface connector and the padlock is then attached through the open hole on the other end.

Panel Interface Connectors (PIC)

Panel Interface Extension Cables

Installation Cable Part Numbers								
Connector Type	Figure #	3 FT	6 FT	7 FT	10 FT	14 FT	15 FT	25 FT
9 Pin D-Sub	A	DB09-MF-03	DB09-MF-06	N/A	DB09-MF-10	N/A	DB09-MF-15	DB09-MF-25
15 Pin D-Sub	A	DB15-MF-03	DB15-MF-06	N/A	DB15-MF-10	N/A	DB15-MF-15	DB15-MF-25
25 Pin D-Sub	A	DB25-MF-03	DB25-MF-06	N/A	DB25-MF-10	N/A	DB25-MF-15	DB25-MF-25
37 Pin D-Sub	A	N/A	N/A	N/A	DB37-MF-10	N/A	N/A	N/A
Hi Density 15 Pin D-Sub	A	DDB15-MF-03	DDB15-MF-06	N/A	DDB15-MF-10	N/A	N/A	DDB15-MF-25
RJ11	B	RJ11-03	N/A	RJ11-07	N/A	RJ11-14	N/A	RJ11-25
RJ45	B	RJ45-03	N/A	RJ45-07	N/A	N/A	RJ45-15	RJ45-25
5 Pin CIRC-DIN	C	N/A	DA5-MM-06	N/A	DA5-MM-10	N/A	N/A	N/A
6 Pin mini-DIN	C	N/A	DM6-MM-06	N/A	DM6-MM-10	N/A	DM6-MM-15	DM6-MM-25
8 Pin mini-DIN	C	N/A	DM8-MM-06	N/A	DM8-MM-10	N/A	N/A	DM8-MM-25
USB style A	D	D-USB-03	D-USB-06	N/A	D-USB-10	N/A	D-USB-15	N/A
USB style A to USB style B	E	D-USBAB-03	D-USBAB-06	N/A	D-USBAB-10	N/A	D-USBAB-15	N/A
USB style B	F	D-USBBB-03	D-USBBB-06	N/A	D-USBBB-10	N/A	D-USBBB-15	N/A





Cables & Specifications

MIN Series Size I .. 2-3

MIN Series Size II.... 4

MIN Series Size III .. 5

MAC Series 6

MDC Series 7-8

Cable Specifications MIN Series Size I

MIN Series Size I Cable Specifications					
# of Conductors	Wire AWG	Voltage Rating	Insulation Material	UL Style	O.D.
2	16	600	PVC	STOW	0.37"
3	14	600	PVC	STOW	0.51"
3	16	600	PVC	STOW	0.38"
3	16	600	PUR	UL 20233	0.37"
3	16	600	TPE	SEOOW	0.38"
3	18	300	PVC	SJTOOW	0.33"
3	18	300	PVC	AWM 2661	0.23" ***
4	14	600	PVC	AWM 2662	0.53"
4	16	600	PVC	STOW	0.42"
4	18	300	PVC	AWM 2661	0.29"
4	18	300	PUR	UL 20233	0.29"
5	16	600	PVC	STOW	0.51"
5	16	600	PUR	UL20233	0.51"
5	16	600	TPE	SEOOW	0.51"
5	18	300	PVC	AWM 2661	0.29"
6	16	600	PVC	STOW	0.52"
6	18	300	PVC	AWM 2661	0.32"
6	18	300	PUR	UL 20233	0.32"

Cable Construction subject to change without notice.

*** Automotive Color Code

Cables MIN Series Size I

MIN Series Size I Accessory Cable						
# of Conductors	Color Code	Wire AWG	Voltage Rating	Length	Insulation Material	Part Number
2	White Black	16	600V	100 FT	PVC	MIN-2CBL-C
3	Green/Yellow Black White	16	600V	100 FT	PVC	MIN-3CBL-C
		16	600V	100 FT	TPE	MINW-3CBL-C
		18	300V	100 FT	PVC	MIN-3CBLX-C
4	Black White Red Green/Yellow	16	600V	100 FT	PVC	MIN-4CBL-C
		18	300V	100 FT	PVC	MIN-4CBLX-C
5	White Red Green/Yellow Orange Black	16	600V	100 FT	PVC	MIN-5CBL-C
		16	600V	100 FT	TPE	MINW-5CBL-C
		18	300V	100 FT	PVC	MIN-5CBLX-C
6	White Red Green/Yellow Orange Black Blue	16	600	100 FT	PVC	MIN-6CBL-C
		18	300	100 FT	PVC	MIN-6CBLX-C

Cables & Specifications MIN Series Size II

MIN Series Size II Cable Specifications					
# of Conductors	Wire AWG	Voltage Rating	Insulation Material	UL Style	O.D.
6	18	300	PVC	AWM 2661	0.32"
6	18	300	PUR	UL 20233	0.32"
7	18	300	PVC	AWM 2661	0.32"
7	18	300	PUR	UL 20233	0.32"
8	18	300	PVC	AWM 2661	0.35"
8	18	300	PUR	UL 20233	0.35"

MIN Series Size II Accessory Cable						
# of Conductors	Color Code	Wire AWG	Voltage Rating	Length	Insulation Material	Part Number
6	Orange Blue Black White Red Green/Yellow	18	300	100 FT	PVC	MIN-6CBLX2-C
		18	300	100 FT	PUR	MINP-6CBLX2-C
7	White w/ Black Black White Red Orange Blue Green/Yellow	18	300	100 FT	PVC	MIN-7CBLX2-C
		18	300	100 FT	PUR	MINP-7CBLX2-C
8	Orange Blue White w/ Black Black White Red Green/Yellow Red w/ Black	18	300	100 FT	PVC	MIN-8CBLX2-C
		18	300	100 FT	PUR	MINP-8CBLX2-C

Cables & Specifications

Cables & Specifications MIN Series Size III

MIN Series Size III Cable Specifications					
# of Conductors	Wire AWG	Voltage Rating	Insulation Material	UL Style	O.D.
9	18	300	PVC	AWM 2661	0.38"
9	18	300	PUR	UL 20233	0.38"
10	18	300	PVC	AWM 2661	0.40"
10	18	300	PUR	UL 20233	0.40"
12	18	300	PVC	AWM 2661	0.41"
12	18	300	PUR	UL 20233	0.41"
19*	18 & 22	300	PUR	UL 20233	0.43"

MIN Series Size III Accessory Cable							
# of Conductors	Color Code		Wire AWG Rating	Voltage Rating	Length	Insulation Material	Part Number
9	Orange	Green/Yellow	18	300V	100 FT	PVC	MIN-9CBLX-C
	Blue	White w/ Black					
10	Red w/ Black	Black	18	300V	100 FT	PUR	MINP-9CBLX-C
	Green w/ Black						
10	White		18	300V	100 FT	PVC	MIN-10CBLX-C
	Red						
12	Orange	Orange w/ Black	18	300V	100 FT	PVC	MIN-10CBLX-C
	Blue	Red					
12	White w/ Black	Green/Yellow	18	300V	100 FT	PUR	MINP-10CBLX-C
	Red w/ Black	Black					
12	Green w/ Black	White	18	300V	100 FT	PVC	MIN-12CBLX-C
	Orange w/ Black						
19	Blue	Blue w/ Black	18/3 & 22/16	300V	100 FT	PUR	MINP-12CBLX-C
	White w/ Black	Black w/ White					
19	Red w/ Black	Green/Yellow	18/3 & 22/16	300V	100 FT	PUR	MINP-19CBLX-C
	Green w/ Black	Red					
19	Orange w/ Black	White	18/3 & 22/16	300V	100 FT	PUR	MINP-19CBLX-C
		Black					
19	Violet	Black	18/3 & 22/16	300V	100 FT	PUR	MINP-19CBLX-C
	Red	Green/Yellow**					
19	Gray	Yellow w/ Brown	18/3 & 22/16	300V	100 FT	PUR	MINP-19CBLX-C
	Red w/ Blue	Brown w/ Green					
19	Blue**	White	18/3 & 22/16	300V	100 FT	PUR	MINP-19CBLX-C
	Green	Yellow					
19	Brown**	Pink	18/3 & 22/16	300V	100 FT	PUR	MINP-19CBLX-C
	White w/ Green	Gray w/ Brown					
19	White w/ Yellow	Gray w/ Pink	18/3 & 22/16	300V	100 FT	PUR	MINP-19CBLX-C
	White w/ Gray						

*19 Conductor Cable has a foil shield. **For the 19 Pin, blue, brown, and green/yellow wires are 18 AWG.

Cables & Specifications Micro AC (MAC) Series

MAC Cable Specifications					
# of Conductors	Wire AWG	Braided Shield?	Insulation Material	UL Style	O.D.
2	22	No	PVC	2661	0.20"
3	22	No	PVC	2661 or 2517	0.20"
3	22	Yes	PVC	2661	0.23"
3	18	No	PVC	2661	0.23"
4	22	No	PVC	2661 or 2517	0.20"
4	22	Yes	PVC	2661	0.20"
4	18	No	PVC	2661	0.29"
5	22	No	PVC	2661	0.22"
5	18	No	PVC	2661	0.29"
6	22	No	PVC	2661	0.22"
6	22	Yes	PVC	2661	0.24"

MAC Accessory Cables						
# of Conductors	Color Code	Wire AWG	Voltage Rating	Length	Part Number	
					PVC	Shielded
2	Brown Blue	22	300V	100 FT	MAC-2CBL-C	
		18	300V	100 FT	MAC-2CBLX-C	
3	Green/Yellow Red w/ Black Red w/ White	22	300V	100 FT	MAC-3CBL-C	MACB-3CBL-C
		18	300V	100 FT	MAC-3CBLX-C	
4	Red w/ Black Red w/ White Red Green/Yellow	22	300V	100 FT	MAC-4CBL-C	MACB-4CBL-C
		18	300V	100 FT	MAC-4CBLX-C	
5	Red w/ White Red Green/Yellow Red w/ Yellow Red w/ Black	22	300V	100 FT	MAC-5CBL-C	
6	Red w/ White Red Green/Yellow Red w/ Yellow Red w/ Black Red w/ Blue	22	300V	100 FT	MAC-6CBL-C	MACB-6CBL-C

X-6

Cable Specifications Micro DC (MDC) Series

MDC Cable Specifications					
# of Conductors	Wire AWG	Mylar Shield?	Insulation Material	UL Style	O.D.
2	22	No	PVC	2661	0.20"
3	22	No	PVC	2661 or 2517	0.20"
3	22	Yes	PVC	2661	0.20"
3	18	No	PVC	2661	0.29"
3	22	No	PUR	20233	0.20"
4	22	No	PVC	2661 or 2517	0.20"
4	22	Yes	PVC	2661	0.20"
4	22	No	PUR	20233	0.20"
4	22	No	TPE	AWM 21002	0.20"
4	18	No	PVC	2661	0.29"
4	18	No	PUR	20233	0.29"
5	22	No	PVC	2661	0.22"
5	22	Yes	PVC	2661	0.22"
5	22	No	PUR	20233	0.22"
5	18	No	PVC	2661	0.29"
6	24	Yes	PVC	2661	0.23"
8	24	Yes	PUR	20233	0.24"

Cables Micro DC (MDC) Series

MDC Accessory Cables							
# of Conductors	Color Code	Wire AWG	Voltage Rating	Length	Insulation Material	Part Number	
						Not Shielded	Shielded
2	Brown Blue	22	300V	100 FT	PVC	MDC-2CBL-C	
3	Brown Blue Black	22	300V	100 FT	PVC	MDC-3CBL-C	MDCM-3CBL-C
		22	300V	100 FT	PUR	MDCP-3CBL-C	
		18	300V	100 FT	PVC	MDC-3CBLX-C	
		18	300V	100 FT	PUR	MDCP-3CBLX-C	
4	Brown White Blue Black	22	300V	100 FT	PVC	MDC-4CBL-C	MDCM-4CBL-C
		22	300V	100 FT	PUR	MDCP-4CBL-C	
		22	300V	100 FT	TPE	MDCW-4CBL-C	
		18	300V	100 FT	PVC	MDC-4CBLX-C	
		18	300V	100 FT	PUR	MDCP-4CBLX-C	
5	Brown White Blue Black Gray	22	300V	100 FT	PVC	MDC-5CBL-C	MDCM-5CBL-C
		22	300V	100 FT	PUR	MDCP-5CBL-C	
		18	300V	100 FT	PVC	MDC-5CBLX-C	
		18	300V	100 FT	PUR	MDCP-5CBLX-C	
6	White Brown Green Yellow Gray Pink	24	300V	100 FT	PVC	MDC-6CBL-C	MDCM-6CBL-C
8	White Brown Green Yellow Gray Pink Blue Red	24	300V	100 FT	PUR		MDCP-8CBL-C

Part Number Index

Alphabetic Order: 20... ❖ DP-RJ45-6M-32

Part Number	Page	Part Number	Page	Part Number	Page
20...	V-11	DB09MSC	W-17	DHGF-DB9-RJ45-R-32	W-4
210...	V-4	DB09-PC9-06LS	W-9	DM6-2-10LS	W-9
211...	V-11	DB09-RJ45-10LS	W-5	DM6-M25	W-10
212...	V-4	DB09-SH...	W-17	DM6-MM-0...	W-18
213...	V-11	DB15FCR	W-17	DM8-06LS	W-9
214M	V-4	DB15FSC	W-17	DM8-M25	W-10
216...	V-11	DB15MCR	W-17	DM8-MM-...	W-18
229...	V-11	DB15-MF-...	W-18	DN-16LS	W-9
234...	V-4	DB15MSC	W-17	DP-10R-32	W-6
236...	V-11	DB15-SH...	W-17	DP1-2DB9-DB15-32	W-7
238...	V-4	DB25-16LS	W-5	DP1-2DB9F-RJ45-R-32	W-7
24...	V-11	DB25-2-24LS	W-9	DP1-2DB9-RJ45-R-32	W-5
2M...	V-21	DB25-2-4BNC-48	W-9	DP1-2RJ45-24LS	W-7
3...	V-26	DB25FCR	W-17	DP1-3USB-6-R-32	W-7
BNC-M25	W-10	DB25FSC	W-17	DP-15R-32	W-6
CCPNP	F-14	DB25MCR	W-17	DP1-8M-16LS	W-7
CCPZ-MIL	F-14	DB25-MF-...	W-18	DP1-8M-R-24LS	W-7
CEC-0...	V-13	DB25-MFP-...	W-16	DP1-DB25-24LS	W-7
CEC-1...	V-13	DB25MSC	W-17	DP1-DB9-16LS	W-5
CEC-2...	V-13	DB25-SH...	W-17	DP1-DB9-DDB15-RJ45-R-32	W-7
CEC-M...	V-23	DB27MCR	W-17	DP1-DB9M-16LS	W-7
CHI-...	W-15	DB37FCR	W-17	DP1-DB9-R-16LS	W-7
CKN-027-00	U-8	DB37FSC	W-17	DP1-DB9-RJ45-16LS	W-5
CRB-0...	V-12	DB37-MF-10	W-18	DP1-DB9-RJ45-R-32	W-7
CRB-1...	V-12	DB37-MFP-...	W-16	DP1-DB9-TS	W-8
CRB-2...	V-12	DB37MSC	W-17	DP1-DB9-USB-3-24LS	W-7
CRB-M...	V-21	DB37-SH...	W-17	DP1-DDB15-USB-R-32	W-7
CRC-0...	V-13	DB9-TS	W-8	DP1-EV-48LS	W-7
CRC-1...	V-13	DBM09-06LS	W-9	DP1-RJ45-16LS	W-5
CRC-2...	V-13	DBM09-3-16LS	W-9	DP1-RJ45-R-24LS	W-5
CRC-36	V-13	D-BNC-2-10LS	W-9	DP1-RJ45-TS	W-8
CRC-M...	V-23	DCD-LS	W-9	DP1-RJ45-USB-R-32	W-7
CRSS-...	V-8	DDB15-6M2-16LS	W-9	DP1-TS	W-8
CRT-...	V-8	DDB15FCR	W-17	DP1-USB-zz-16LS	W-7
D24-4MDE45-...	M-13	DDB15FSC	W-17	DP-2DB9-32	W-6
D-2USB-zz-10LS	W-9	DDB15MCR	W-17	DP-2DB9-R-32	W-4
D32-10MDC-DB25	R-50	DDB15-MF-...	W-18	DP-2RJ45-R-32	W-4
D32-10MDC-RC20	R-51	DDB15MSC	W-17	DP-8M-R-32	W-4
D32-10MDC-TB23	R-52	DEC-RJ45-R-32	W-7	DP-DB15-R-32	W-6
DA5-...	W-18	DFD-24LS-KIT	W-9	DP-DB15-RJ45-R-32	W-6
DAS-...	W-8	D-FOPT-12	W-9	DP-DB25-PC8-R-32	W-6
DB09-16LS	W-5	D-FOPT-2-M25	W-10	DP-DB25-R-32	W-6
DB09-2-10LS	W-5	DH-DB9-8M-16LS	W-8	DP-DB9-DB15-R-32	W-6
DB09-2-4RJ45-32LS	W-9	DH-DB9-USB-6-10LS	W-8	DP-DB9-DB25-32	W-4
DB09-2RJ45-16LS	W-9	DHDP1-DB9-16LS	W-8	DP-DB9F-R-32	W-6
DB09-2-RJ45-5M12-24	W-9	DHDP1-DB9-DN-R-32	W-8	DP-DB9M-RJ45-R-32	W-6
DB09-3-16LS	W-9	DHDP-8M-R-32	W-5	DP-DB9-PC9-R-32	W-6
DB09-4-24LS	W-9	DHDP-8M-RJ45-32	W-8	DP-DB9-R-32	W-4
DB09-DDB15-USB-RJ45-6M2-32	W-5	DHDP-DB9-8M-R-32	W-4	DP-DB9-RJ45-R-32	W-4
DB09FCR	W-17	DHDP-DB9-R-32	W-5	DP-DDB15-RJ45-R-32	W-6
DB09FSC	W-17	DHDP-DB9-RJ45-R-32	W-4	DP-EV1-48LS	W-6
DB09M-06LS	W-9	DHDPV-2DB9-R-32	W-8	D-PIC-LOCK	W-17
DB09M-2-10LS	W-9	DHGF-8M-R-32	W-8	DP-MDB9-R-32	W-6
DB09MCR	W-17	DHGF-DB9-8M-R-32	W-8	DP-R-32	W-4
DB09-MF-...	W-18	DHGF-DB9L-8M-R-32	W-8	DP-RJ11-R-32	W-6
DB09-MFP-...	W-16	DHGF-DB9-R-32	W-8	DP-RJ11-RJ45-R-32	W-6

Part Number Index

DP-RJ45-8M-R-32 ❖ JDC-440-007-C...

Part Number	Page	Part Number	Page	Part Number	Page
DP-RJ45-5R-32	W-6	E45V3-8MMP-...	M-15	GF-DB9F-RJ45-R-32	W-6
DP-RJ45-6M-32	W-6	E45V3-8MP-10M	M-15	GF-DB9M-DN-RJ45-R-48	W-6
DP-RJ45-8M-R-32	W-6	E45V3-8MP-2M	M-15	GF-DB9M-RJ45-R-32	W-6
DP-RJ45-R-32	W-4	E45V3-8MP-5M	M-15	GF-DB9-PC9-RJ45-USB-48	W-6
DP-TS	W-8	E45V3-8MP-FW	M-14	GF-DB9-R-32	W-4
DP-USB-10-NR-32	W-6	E45V3-8MP-RJ45-...	M-15	GF-DB9-RJ45-R-32	W-4
DP-USB-10-R-32	W-4	E45V3-CAP	M-16	GF-MDB9-6M-R-32	W-6
DP-USB-3-R-32	W-4	E45V3P-8MMP-...	M-15	GF-R-32	W-6
DP-USB-6-R-32	W-4	E45V3P-8MP-10M	M-15	GF-RJ11-RJ45-R-32	W-7
DP-USB-R-32	W-6	E45V3P-8MP-2M	M-15	GF-RJ45-6M2-32	W-7
DP-USB-RJ45-32	W-4	E45V3P-8MP-5M	M-15	GF-RJ45-6M-USB-10-R-48	W-7
DPV-2DB9-8M-32	W-6	E45V3P-8MP-RJ45-...	M-15	GF-RJ45-NR-32	W-7
DPV-DB9-8M-R-32	W-6	EP-DB25-RJ45-32	W-8	GF-RJ45-R-32	W-4
DUK-R-32	W-8	EP-R-32	W-8	GF-RJ45-USB-3-R-32	W-7
DUK-RJ45-R-32	W-8	EP-RJ45-R-32	W-5	GF-USB-NR-32	W-7
D-USB-...	W-18	FFDC-1-4FR-CA	N-7	GF-USB-R-32	W-7
D-USB-16LS	W-5	FFDC-2-4FR-CA	N-8	GF-USB-RJ45-32	W-4
D-USB-6M-RJ45-RJ11-32	W-9	FFDC-4FP-FW...	N-3	JAC-430-003-M000	S-3
D-USBAB-...	W-18	FFDC-4FPX-...	N-2	JAC-430-006-...	S-4
D-USB-AFAF-M25	W-10	FFDC-4FR-2-...	N-5	JAC-430-012-V000	S-4
D-USB-AFBF-M25	W-10	FFDC-4FR-M20-...	N-6	JAC-630-003-M000	S-3
D-USBBB-...	W-18	FFDC-4FR-PG9-...	N-6	JAC-630-008-...	S-5
D-USB-BFAF-M25	W-10	FFDC-4MFPX-...	N-2	JAC-630-012-V000	S-5
D-USB-BFBF-M25	W-10	FFDC-4MP-FW..	N-3	JAC-830-003-M000	S-3
D-USB-zz-06LS	W-9	FFDC-4MPX-...	N-2	JAC-830-010-...	S-6
E45V1-8FFR-BM	M-20	FFDC-4MR-2-...	N-5	JAC-830-012-V000	S-6
E45V1-8FFR-BM-CP	M-20	FFDC-4MR-M20-...	N-6	JAN-4...	T-2
E45V1-8FFR-M25	M-19	FFDC-4MR-PG9-...	N-6	JAN-6...	T-4
E45V1-8FFR-M25-CP	M-19	FFIN-1-4FR-CA	N-7	JAN-8...	T-6
E45V1-8FMR-1-BM	M-20	FFIN-2-4FR-CA	N-8	JDC-03...	R-36
E45V1-8FMR-1-M25	M-19	FFIN-4FP-DP1-SS	N-4	JDC-040-013-C...	R-38
E45V1-8FMR-3-BM	M-20	FFIN-4FP-FW...	N-3	JDC-040-019-M...	R-40
E45V1-8FMR-3-M25	M-19	FFIN-4FPX-...	N-2	JDC-040-019-V000	R-40
E45V1-8FMR-7-BM	M-20	FFIN-4FR-...	N-5	JDC-040-025-D...	R-38
E45V1-8FMR-7-M25	M-19	FFIN-4MFF-T-SS	N-4	JDC-04N-213-C...	R-38
E45V1-8FR-110-BM	M-20	FFIN-4MFPX-...	N-2	JDC-04N-219-M...	R-40
E45V1-8FR-110-M25	M-19	FFIN-4MP-DP1-SS	N-4	JDC-04N-219-V000	R-40
E45V1-8FR-FW-BM	M-20	FFIN-4MPM-FW...	N-3	JDC-04N-225-D...	R-38
E45V1-8FR-FW-M25	M-19	FFIN-4MPX-...	N-2	JDC-04P-213-C...	R-38
E45V1-8MMP-...	M-18	FFIN-4MR-...	N-5	JDC-04P-219-M...	R-40
E45V1-8MP-10M	M-18	FFINA-4MFPX-...	N-2	JDC-04P-219-V000	R-40
E45V1-8MP-2M	M-18	FFINDC-4MFF-T-SS	N-4	JDC-04P-225-D...	R-38
E45V1-8MP-5M	M-18	FL13-FRAME	V-30	JDC-05...	R-42
E45V1-8MP-FW	M-17	FL21-FRAME	V-30	JDC-240-016-C...	R-44
E45V1-8MP-RJ45-...	M-18	FLI-...	V-31	JDC-240-019-M...	R-46
E45V1-CAP	M-20	GF-2DB25-R-48	W-7	JDC-240-019-V000	R-46
E45V1P-8MMP-...	M-18	GF-2DB9-32	W-6	JDC-240-025-D...	R-44
E45V1P-8MP-10M	M-18	GF-2DB9M-32	W-7	JDC-24N-216-C...	R-44
E45V1P-8MP-2M	M-18	GF-2DB9-RJ45-32	W-4	JDC-24N-219-M...	R-46
E45V1P-8MP-5M	M-18	GF-DB15-R-32	W-7	JDC-24N-219-V000	R-46
E45V1P-8MP-RJ45-...	M-18	GF-DB25-R-32	W-7	JDC-24N-225-D...	R-44
E45V3-8FFR-M25	M-16	GF-DB25-USB-5R-48	W-7	JDC-24P-216-C...	R-44
E45V3-8FFR-M25-CP	M-16	GF-DB25-USB-NR-48	W-7	JDC-24P-219-M...	R-46
E45V3-8FMR-...	M-16	GF-DB9-2RJ45-32	W-6	JDC-24P-219-V000	R-46
E45V3-8FR-110-M25	M-16	GF-DB9-32	W-6	JDC-24P-225-D...	R-44
E45V3-8FR-FW-M25	M-16	GF-DB9-DN-RJ45-R-48	W-6	JDC-25...	R-48

Part Number Index

JDC-440-007-F000 ❖ MAC-4FR-M20

Part Number	Page	Part Number	Page	Part Number	Page
JDC-43...	R-2	JDC-650-025-D...	R-20	M25-2X8	V-25
JDC-440-007-C...	R-4	JDC-65N-215-...	R-20	M25-3/4	V-22
JDC-440-007-F000	R-4	JDC-65N-219-...	R-22	M25-PG21	V-22
JDC-440-007-M...	R-6	JDC-65N-225-D...	R-20	M32-...	V-22
JDC-440-009-D...	R-4	JDC-65P-215-...	R-20	M40-...	V-22
JDC-440-012-M...	R-6	JDC-65P-219-...	R-22	M50-PG42	V-22
JDC-440-012-V000	R-6	JDC-65P-225-D...	R-20	M63-PG48	V-22
JDC-44N-207-C...	R-4	JDC-6A0-...	R-24	MAC-2CBL-C	X-6
JDC-44N-207-F000	R-4	JDC-830-010-M...	R-26	MAC-2FP-...	G-3
JDC-44N-207-M...	R-6	JDC-83N-210-M...	R-26	MAC-2FR-2	G-12
JDC-44N-209-D...	R-4	JDC-83P-210-M...	R-26	MAC-2FR-2-18	G-12
JDC-44N-212-M...	R-6	JDC-840-011-...	R-28	MAC-2FR-2-SC	G-16
JDC-44N-212-V000	R-6	JDC-840-012-...	R-30	MAC-2FR-4	G-12
JDC-44P-207-C...	R-4	JDC-840-025-D	R-28	MAC-2FR-4-18	G-12
JDC-44P-207-F000	R-4	JDC-84N-211-...	R-28	MAC-2FR-M20...	G-15
JDC-44P-207-M...	R-6	JDC-84N-212-...	R-30	MAC-2MFP...	G-8
JDC-44P-209-D...	R-4	JDC-84N-225-D...	R-28	MAC-2MP-...	G-2
JDC-44P-212-M...	R-6	JDC-84P-211-...	R-28	MAC-2MR-2	G-12
JDC-44P-212-V000	R-6	JDC-84P-212-M...	R-30	MAC-2MR-2-18	G-12
JDC-450-011-C...	R-8	JDC-84P-212-V000	R-30	MAC-2MR-2-SC	G-16
JDC-450-011-F000	R-8	JDC-84P-225-D...	R-28	MAC-2MR-4...	G-12
JDC-450-012-M...	R-10	JDC-850-019-C...	R-32	MAC-2MR-M16...	G-15
JDC-450-019-M...	R-10	JDC-850-019-D...	R-32	MAC-2MR-M20	G-15
JDC-450-019-V000	R-10	JDC-850-019-F000	R-32	MAC-2MR-M20-18	G-15
JDC-450-025-D...	R-8	JDC-850-019-M...	R-34	MAC-2MR-M20-SC	G-16
JDC-45N-211-...	R-8	JDC-850-019-V000	R-34	MAC-2MR-PG...	G-13
JDC-45N-212-M...	R-10	JDC-85N-219-C...	R-32	MAC-3CBL...	X-6
JDC-45N-219-M...	R-10	JDC-85N-219-D...	R-32	MAC-3FP-...	G-3
JDC-45N-219-V000	R-10	JDC-85N-219-F000	R-32	MAC-3FP-FW...	G-7
JDC-45N-225-D...	R-8	JDC-85N-219-M...	R-34	MAC-3FPX-...	G-5
JDC-45P-211-C...	R-8	JDC-85N-219-V000	R-34	MAC-3FR-2	G-12
JDC-45P-211-F000	R-8	JDC-85P-219-C...	R-32	MAC-3FR-2-18	G-12
JDC-45P-212-M...	R-10	JDC-85P-219-D...	R-32	MAC-3FR-2-SC	G-16
JDC-45P-219-M...	R-10	JDC-85P-219-F000	R-32	MAC-3FR-4...	G-12
JDC-45P-219-V000	R-10	JDC-85P-219-M...	R-34	MAC-3FR-M20	G-15
JDC-45P-225-D...	R-8	JDC-85P-219-V000	R-34	MAC-3FR-M20-18	G-15
JDC-4A0-017-C...	R-12	JDN-050-...	L-15	MAC-3FR-M20-SC	G-16
JDC-4A0-017-F000	R-12	JDN-250-...	L-16	MAC-3MFP...	G-8
JDC-63...	R-14	JDN-450-...	L-12	MAC-3MP-...	G-2
JDC-640-009-C...	R-16	JDN-650-...	L-13	MAC-3MP-FW...	G-7
JDC-640-009-D...	R-16	JDN-850-...	L-14	MAC-3MPX-...	G-4
JDC-640-009-F000	R-16	JIN-430-003-...	Q-9	MAC-3MR-2	G-12
JDC-640-009-M...	R-18	JIN-430-006-...	Q-2	MAC-3MR-2-18	G-12
JDC-640-012-V000	R-18	JIN-440-006-...	Q-3	MAC-3MR-2-SC	G-16
JDC-64N-209-C...	R-16	JIN-450-010-...	Q-4	MAC-3MR-4...	G-12
JDC-64N-209-D...	R-16	JIN-450-V10-...	Q-12	MAC-3MR-M16...	G-15
JDC-64N-209-F000	R-16	JIN-630-003-...	Q-10	MAC-3MR-M20	G-15
JDC-64N-209-M...	R-18	JIN-630-008-...	Q-5	MAC-3MR-M20-18	G-15
JDC-64N-212-V000	R-18	JIN-640-008-...	Q-6	MAC-3MR-M20-SC	G-16
JDC-64P-209-C...	R-16	JIN-830-003-...	Q-11	MAC-3MR-PG...	G-13
JDC-64P-209-D...	R-16	JIN-830-010-...	Q-7	MAC-4CBL...	X-6
JDC-64P-209-F000	R-16	JIN-840-010-...	Q-8	MAC-4FP-...	G-3
JDC-64P-209-M...	R-18	M12-PG9	V-22	MAC-4FPX-...	G-5
JDC-64P-212-V000	R-18	M16-...	V-22	MAC-4FR-2	G-12
JDC-650-015-...	R-20	M20-...	V-22	MAC-4FR-2-18	G-12
JDC-650-019-...	R-22	M25-...X...	V-25	MAC-4FR-2-SC	G-16

Part Number Index

MAC-4FR-M20-18 ❖ MCX-26FP-FW-SC

Part Number	Page	Part Number	Page	Part Number	Page
MAC-4FR-4...	G-12	MAC-PLUG	G-8	MCV-12FR-0.3M-M20	F-7
MAC-4FR-M20	G-15	MAC-PLUG-PA	G-8	MCV-12FR-0.3M-PG13.5	F-7
MAC-4FR-M20-18	G-15	MCG-0...	V-5	MCV-12FR-1M-M20	F-7
MAC-4FR-M20-SC	G-16	MCG-1.0	V-2	MCV-12FR-1M-PG13.5	F-7
MAC-4MFP...	G-8	MCG-1.25	V-2	MCV-12FR-2M-M20	F-7
MAC-4MP...	G-2	MCG-1.5	V-2	MCV-12FR-2M-PG13.5	F-7
MAC-4MPX...	G-4	MCG-1/2	V-2	MCV-12FR-M20-...	F-8
MAC-4MR-2	G-12	MCG-1/2-ASI	V-26	MCV-12FR-PG13.5-...	F-8
MAC-4MR-2-18	G-12	MCG-11	V-5	MCV-12MFP-...	F-5
MAC-4MR-2-SC	G-16	MCG-11R	V-5	MCV-12MP-...	F-4
MAC-4MR-4...	G-12	MCG-13.5	V-5	MCV-12MP-FW...	F-6
MAC-4MR-M16...	G-15	MCG-13.5-ASI	V-26	MCV-12MPM-...	F-4
MAC-4MR-M20	G-15	MCG-13.5R	V-5	MCV-12MPM-FW...	F-6
MAC-4MR-M20-18	G-15	MCG-16	V-5	MCV-12MR-0.3M-M20	F-7
MAC-4MR-M20-SC	G-16	MCG-16R	V-5	MCV-12MR-0.3M-PG13.5	F-7
MAC-4MR-PG...	G-13	MCG-2.0	V-2	MCV-12MR-1M-M20	F-7
MAC-5CBL-C	X-6	MCG-21	V-5	MCV-12MR-1M-PG13.5	F-7
MAC-5FP-...	G-3	MCG-21R	V-5	MCV-12MR-2M-M20	F-7
MAC-5FR-2	G-12	MCG-29	V-5	MCV-12MR-2M-PG13.5	F-7
MAC-5FR-4	G-12	MCG-29R	V-5	MCV-12MR-M20-...	F-8
MAC-5FR-M20	G-15	MCG-3/4	V-2	MCV-12MR-PG13.5-...	F-8
MAC-5MFP-...	G-8	MCG-3/8	V-2	MCV12ES	F-6
MAC-5MP-...	G-2	MCG-36	V-5	MCV-19FP-...	F-5
MAC-5MR-2...	G-12	MCG-36R	V-5	MCV-19FP-FW...	F-6
MAC-5MR-4...	G-12	MCG-42	V-5	MCV-19FR-0.3M-M20	F-7
MAC-5MR-M...	G-15	MCG-42R	V-5	MCV-19FR-0.3M-PG13.5	F-7
MAC-5MR-PG...	G-13	MCG-48	V-5	MCV-19FR-1M-M20	F-7
MAC-6CBL-C	X-6	MCG-48R	V-5	MCV-19FR-1M-PG13.5	F-7
MAC-6FP-...	G-3	MCGB-...	V-7	MCV-19FR-2M-M20	F-7
MAC-6FR-2	G-12	MCGB-M...	V-17	MCV-19FR-2M-PG13.5	F-7
MAC-6FR-4	G-12	MCGEX-...	V-18	MCV-19FR-M20-...	F-8
MAC-6FR-M20	G-15	MCG-M0...	V-14	MCV-19FR-PG13.5-...	F-8
MAC-6MFP-...	G-8	MCG-M1...	V-14	MCV-19FR-PIN...	F-6
MAC-6MP-...	G-2	MCG-M20	V-14	MCV-19MFP-...	F-5
MAC-6MR-2	G-12	MCG-M20-ASI	V-26	MCV-19MP-...	F-4
MAC-6MR-4	G-12	MCG-M25	V-14	MCV-19MP-FW...	F-6
MAC-6MR-M...	G-15	MCG-M25-2ASI	V-26	MCV-19MPM-...	F-4
MAC-6MR-PG13.5	G-13	MCG-M25-ASI	V-26	MCV-19MPM-FW...	F-6
MAC-6MR-PG7-PASW	G-14	MCG-M32	V-14	MCV-19MR-0.3M-M20	F-7
MAC-6MR-PG9	G-13	MCG-M40	V-14	MCV-19MR-0.3M-PG13.5	F-7
MACB-2MFP-...	G-8	MCG-M50	V-14	MCV-19MR-1M-M20	F-7
MACB-3CBL-C	X-6	MCG-M63	V-14	MCV-19MR-1M-PG13.5	F-7
MACB-3FP-...	G-6	MCL-12FP-...	F-2	MCV-19MR-2M-M20	F-7
MACB-3FP-12-R	G-6	MCL-12FR-...	F-3	MCV-19MR-2M-PG13.5	F-7
MACB-3MFP-...	G-8	MCL-12MP-...	F-2	MCV-19MR-M20-...	F-8
MACB-3MP-...	G-6	MCL-12MR-...	F-3	MCV-19MR-PG13.5-...	F-8
MACB-4CBL-C	X-6	MCL-14FP-...	F-2	MCV-19MR-PIN...	F-6
MACB-4FP-...	G-6	MCL-14FR-...	F-3	MCV19ES	F-6
MACB-4MFP-...	G-8	MCL-14MP-...	F-2	MCV-6...	F-9
MACB-4MP-...	G-6	MCL-14MR-...	F-3	MCV6ES	F-9
MACB-5MFP-...	G-8	MCTP-V12	F-6	MCV-7...	F-9
MACB-6CBL-C	X-6	MCTP-V19	F-6	MCV-FR-PIN...	F-6
MACB-6FP-...	G-6	MCTP-V6	F-9	MCVH-6FP-FW-CC	F-10
MACB-6MFP-...	G-8	MCTP-VH6-8	F-10	MCVH-6MPM-FW-CC	F-10
MACB-6MP-...	G-6	MCV-12FP-...	F-5	MCVH-6MR-PM-CC	F-11
MAC-CAP	G-8	MCV-12FP-FW...	F-6	MCVH-6MR-PM-RT-CC	F-11

Part Number Index

MCX-26MPM-FW-SC ❖ MDC-5FP-10M-R

Part Number	Page	Part Number	Page	Part Number	Page
MCVH-8FP-FW-CC	F-10	MDC-3FPX-10M-R	H-4	MDC-4FP-FW11-SS	H-21
MCVH-8FR-PIN-...	F-10	MDC-3FR-2	I-2	MDC-4FPX-...	H-4
MCVH-8MPM-FW-CC	F-10	MDC-3FR-2-18	I-2	MDC-4FR-2	I-2
MCVH-8MR-PIN-...	F-10	MDC-3FR-2-18-SS	I-2	MDC-4FR-2-18	I-2
MCVH-8MR-PM-...	F-11	MDC-3FR-2-SC	I-13	MDC-4FR-2-18-SS	I-2
MCVH-FR-PIN-...	F-10	MDC-3FR-2-SS	I-2	MDC-4FR-2-SC	I-13
MCVH-MR-PIN-...	F-10	MDC-3FR-4...	I-3	MDC-4FR-2-SS	I-2
MCV-MR-PIN...	F-6	MDC-3FR-BM	I-4	MDC-4FR-4...	I-3
MCX-26FP-FW-SC	F-12	MDC-3FR-BM-18	I-4	MDC-4FR-BM	I-4
MCX-26MPM-FW-SC	F-12	MDC-3FR-BM-PCB	I-10	MDC-4FR-BM-18	I-4
MCX-26MR-BM-PCB	F-13	MDC-3FR-M16...	I-7	MDC-4FR-BM-PCB	I-10
MCX-26MR-PG21-SC	F-13	MDC-3FR-M20...	I-7	MDC-4FR-M16...	I-7
MCX-28FP-FW-SC	F-12	MDC-3FR-M20-SC	I-13	MDC-4FR-M20	I-7
MCX-28MPM-FW-SC	F-12	MDC-3FR-PG9...	I-5	MDC-4FR-M20-18	I-7
MCX-28MR-BM-PCB	F-13	MDC-3MP-...	H-2	MDC-4FR-M20-SC	I-13
MCX-28MR-PG21-SC	F-13	MDC-3MPX-...	H-4	MDC-4FR-PCB...	I-9
MDC-2CBL-C	X-8	MDC-3MR-2	I-2	MDC-4FR-PG9...	I-5
MDC-2FP-...	H-3	MDC-3MR-2-18	I-2	MDC-4MFP-...	H-12
MDC-2FR-2	I-2	MDC-3MR-2-18-SS	I-2	MDC-4MFPX-...	H-14
MDC-2FR-2-18	I-2	MDC-3MR-2-SC	I-13	MDC-4MFRP-...	H-12
MDC-2FR-2-18-SS	I-2	MDC-3MR-2-SS	I-2	MDC-4MFR-TM	I-11
MDC-2FR-2-SC	I-13	MDC-3MR-4...	I-3	MDC-4MP-...	H-2
MDC-2FR-2-SS	I-2	MDC-3MR-BM	I-4	MDC-4MP-FW07	H-18
MDC-2FR-4...	I-3	MDC-3MR-BM-18	I-4	MDC-4MP-FW07-R	H-18
MDC-2FR-BM	I-4	MDC-3MR-BM-PCB	I-10	MDC-4MP-FW07-R-SS	H-19
MDC-2FR-BM-18	I-4	MDC-3MR-M14...	I-6	MDC-4MP-FW07-SS	H-19
MDC-2FR-BM-PCB	I-10	MDC-3MR-M16...	I-6	MDC-4MP-FW09	H-18
MDC-2FR-M16...	I-7	MDC-3MR-M20	I-6	MDC-4MP-FW09-R	H-18
MDC-2FR-M20	I-7	MDC-3MR-M20-18	I-6	MDC-4MP-FW09-R-SS	H-19
MDC-2FR-M20-18	I-7	MDC-3MR-M20-SC	I-13	MDC-4MP-FW09-SS	H-19
MDC-2FR-M20-SC	I-13	MDC-3MR-PG11...	I-5	MDC-4MP-FW11	H-20
MDC-2FR-PG9...	I-5	MDC-3MR-PG7...	I-5	MDC-4MP-FW11-2X3	H-20
MDC-2MP-...	H-2	MDC-3MR-PG9...	I-5	MDC-4MP-FW11-2X3-SS	H-21
MDC-2MR-2	I-2	MDC-3MR-PM...	I-12	MDC-4MP-FW11-2X4	H-20
MDC-2MR-2-18	I-2	MDC-3YFF-...	H-11	MDC-4MP-FW11-2X4.5	H-20
MDC-2MR-2-18-SS	I-2	MDC-44YFF	H-23	MDC-4MP-FW11-2X4.5-SS	H-21
MDC-2MR-2-SC	I-13	MDC-45YFF	H-23	MDC-4MP-FW11-2X4-SS	H-21
MDC-2MR-2-SS	I-2	MDC-4CBL...	X-8	MDC-4MP-FW11-2X5	H-20
MDC-2MR-4...	I-3	MDC-4FP-...	H-3	MDC-4MP-FW11-2X5-SS	H-21
MDC-2MR-BM	I-4	MDC-4FP-FW07	H-18	MDC-4MP-FW11-SS	H-21
MDC-2MR-BM-18	I-4	MDC-4FP-FW07-R	H-18	MDC-4MPX-...	H-4
MDC-2MR-BM-PCB	I-10	MDC-4FP-FW07-R-SS	H-19	MDC-4MR-2	I-2
MDC-2MR-M14...	I-6	MDC-4FP-FW07-SS	H-19	MDC-4MR-2-18	I-2
MDC-2MR-M16...	I-6	MDC-4FP-FW09	H-18	MDC-4MR-2-18-SS	I-2
MDC-2MR-M20	I-6	MDC-4FP-FW09-R	H-18	MDC-4MR-2-SC	I-13
MDC-2MR-M20-18	I-6	MDC-4FP-FW09-R-SS	H-19	MDC-4MR-2-SS	I-2
MDC-2MR-M20-SC	I-13	MDC-4FP-FW09-SS	H-19	MDC-4MR-4...	I-3
MDC-2MR-PG11...	I-5	MDC-4FP-FW11	H-20	MDC-4MR-BM	I-4
MDC-2MR-PG7...	I-5	MDC-4FP-FW11-2X3	H-20	MDC-4MR-BM-18	I-4
MDC-2MR-PG9...	I-5	MDC-4FP-FW11-2X3-SS	H-21	MDC-4MR-BM-PCB	I-10
MDC-2MR-PM...	I-12	MDC-4FP-FW11-2X4	H-20	MDC-4MRFP-...	H-12
MDC-3CBL-...	X-8	MDC-4FP-FW11-2X4.5	H-20	MDC-4MR-M14...	I-6
MDC-3FP-...	H-3	MDC-4FP-FW11-2X4.5-SS	H-21	MDC-4MR-M16...	I-6
MDC-3FP-...-R-NPN	H-10	MDC-4FP-FW11-2X4-SS	H-21	MDC-4MR-M20	I-6
MDC-3FP-...-R-PNP	H-10	MDC-4FP-FW11-2X5	H-20	MDC-4MR-M20-18	I-6
MDC-3FPX-...	H-4	MDC-4FP-FW11-2X5-SS	H-21	MDC-4MR-M20-SC	I-13

Part Number Index

MDC-5FP-FW07 ❖ MDCDN-5MP-DP1

Part Number	Page	Part Number	Page	Part Number	Page
MDC-4MR-PCB...	I-8	MDC-5MFP-...	H-12	MDC-5MR-PM...	I-12
MDC-4MR-PG11...	I-5	MDC-5MFPX-...	H-14	MDC-6CBL-C	X-8
MDC-4MR-PG7...	I-5	MDC-5MFRP-...	H-12	MDC-6FR-2	I-2
MDC-4MR-PG9...	I-5	MDC-5MFR-TM	I-11	MDC-6FR-2-SC	I-13
MDC-4MR-PM...	I-12	MDC-5MP-...	H-2	MDC-6FR-2-SS	I-2
MDC-55YFF	H-23	MDC-5MP-FW07	H-18	MDC-6FR-4...	I-3
MDC-5CBL...	X-8	MDC-5MP-FW07-R	H-18	MDC-6FR-BM	I-4
MDC-5FP-...	H-3	MDC-5MP-FW07-R-SS	H-19	MDC-6FR-M16	I-7
MDC-5FP-10M-R	H-3	MDC-5MP-FW07-SS	H-19	MDC-6FR-M20	I-7
MDC-5FP-FW07	H-18	MDC-5MP-FW09	H-18	MDC-6FR-M20-SC	I-13
MDC-5FP-FW07-R	H-18	MDC-5MP-FW09-R	H-18	MDC-6FR-PG9	I-5
MDC-5FP-FW07-R-SS	H-19	MDC-5MP-FW09-R-SS	H-19	MDC-6MR-2	I-2
MDC-5FP-FW07-SS	H-19	MDC-5MP-FW09-SS	H-19	MDC-6MR-2-SC	I-13
MDC-5FP-FW09	H-18	MDC-5MP-FW11	H-20	MDC-6MR-2-SS	I-2
MDC-5FP-FW09-R	H-18	MDC-5MP-FW11-2X3	H-20	MDC-6MR-4...	I-3
MDC-5FP-FW09-R-SS	H-19	MDC-5MP-FW11-2X3-SS	H-21	MDC-6MR-BM	I-4
MDC-5FP-FW09-SS	H-19	MDC-5MP-FW11-2X4	H-20	MDC-6MR-M14	I-6
MDC-5FP-FW11	H-20	MDC-5MP-FW11-2X4.5	H-20	MDC-6MR-M16	I-6
MDC-5FP-FW11-2X3	H-20	MDC-5MP-FW11-2X4.5-SS	H-21	MDC-6MR-M20	I-6
MDC-5FP-FW11-2X3-SS	H-21	MDC-5MP-FW11-2X4-SS	H-21	MDC-6MR-M20-SC	I-13
MDC-5FP-FW11-2X4	H-20	MDC-5MP-FW11-2X5	H-20	MDC-6MR-PG11	I-5
MDC-5FP-FW11-2X4.5	H-20	MDC-5MP-FW11-2X5-SS	H-21	MDC-6MR-PG7	I-5
MDC-5FP-FW11-2X4.5-SS	H-21	MDC-5MP-FW11-SS	H-21	MDC-6MR-PG9	I-5
MDC-5FP-FW11-2X4-SS	H-21	MDC-5MPX-...	H-4	MDC-6MR-PM	I-12
MDC-5FP-FW11-2X5	H-20	MDC-5MR-2	I-2	MDC-8FP-FW0...	H-18
MDC-5FP-FW11-2X5-SS	H-21	MDC-5MR-2-18	I-2	MDC-8FP-FW11...	H-20
MDC-5FP-FW11-SS	H-21	MDC-5MR-2-18-DN	L-7	MDC-8FR-2	I-2
MDC-5FPX-...	H-4	MDC-5MR-2-18-SS	I-2	MDC-8FR-2-SC	I-13
MDC-5FR-2	I-2	MDC-5MR-2-22-DN	L-7	MDC-8FR-2-SS	I-2
MDC-5FR-2-18	I-2	MDC-5MR-2-SC	I-13	MDC-8FR-4...	I-3
MDC-5FR-2-18-DN	L-7	MDC-5MR-2-SS	I-2	MDC-8FR-BM	I-4
MDC-5FR-2-18-SS	I-2	MDC-5MR-4	I-3	MDC-8FR-BM-PCB	I-10
MDC-5FR-2-22-DN	L-7	MDC-5MR-4-18	I-3	MDC-8FR-M16	I-7
MDC-5FR-2-SC	I-13	MDC-5MR-4-18-DN	L-7	MDC-8FR-M20	I-7
MDC-5FR-2-SS	I-2	MDC-5MR-4-18-SS	I-3	MDC-8FR-M20-SC	I-13
MDC-5FR-4	I-3	MDC-5MR-4-22-DN	L-7	MDC-8FR-PG9	I-5
MDC-5FR-4-18	I-3	MDC-5MR-4-SS	I-3	MDC-8MP-FW0...	H-18
MDC-5FR-4-18-DN	L-7	MDC-5MR-BM	I-4	MDC-8MP-FW11...	H-20
MDC-5FR-4-18-SS	I-3	MDC-5MR-BM-18	I-4	MDC-8MR-2	I-2
MDC-5FR-4-22-DN	L-7	MDC-5MR-BM-18-DN	L-7	MDC-8MR-2-SC	I-13
MDC-5FR-4-SS	I-3	MDC-5MR-BM-22-DN	L-7	MDC-8MR-2-SS	I-2
MDC-5FR-BM	I-4	MDC-5MR-BM-PCB	I-10	MDC-8MR-4...	I-3
MDC-5FR-BM-18	I-4	MDC-5MR-BM-PCB	L-9	MDC-8MR-BM	I-4
MDC-5FR-BM-18-DN	L-7	MDC-5MRFP-...	H-12	MDC-8MR-M14	I-6
MDC-5FR-BM-22-DN	L-7	MDC-5MR-M14...	I-6	MDC-8MR-M16	I-6
MDC-5FR-BM-PCB	I-10	MDC-5MR-M16...	I-6	MDC-8MR-M20	I-6
MDC-5FR-BM-PCB	L-9	MDC-5MR-M20	I-6	MDC-8MR-M20-SC	I-13
MDC-5FR-M16...	I-7	MDC-5MR-M20-18	I-6	MDC-8MR-PG11	I-5
MDC-5FR-M20	I-7	MDC-5MR-M20-SC	I-13	MDC-8MR-PG7	I-5
MDC-5FR-M20-18	I-7	MDC-5MR-PCB	I-8	MDC-8MR-PG9	I-5
MDC-5FR-M20-SC	I-13	MDC-5MR-PCB	L-9	MDC-8MR-PM	I-12
MDC-5FR-PCB	I-9	MDC-5MR-PCB-R	I-8	MDC-CAP	H-24
MDC-5FR-PCB	L-9	MDC-5MR-PCB-R	L-9	MDCDD-5FP-...	L-3
MDC-5FR-PCB-R	I-9	MDC-5MR-PG11...	I-5	MDCDD-5FR-2-...	L-8
MDC-5FR-PCB-R	L-9	MDC-5MR-PG7...	I-5	MDCDD-5FR-5MP-...	L-3
MDC-5FR-PG9...	I-5	MDC-5MR-PG9...	I-5	MDCDD-5FR-BM-...	L-8

Index

Part Number Index

MDCIN-3MFP-AD1 ❖ MIN-10FR-1-18-BM

Part Number	Page	Part Number	Page	Part Number	Page
MDCDD-5MFP-...	L-3	MDCW-4CBL-C	X-8	MDE45C5-8...	M-8
MDCDD-5MP-...	L-3	MDCW-4...	H-8	MDE45P-4FFP-...	M-4
MDCDD-5MR-2-...	L-8	MDCWF-4...	H-9	MDE45P-4FP-...	M-2
MDCDD-5MR-BM-...	L-8	MDE45-1-4FR-110-CA	M-24	MDE45P-4FP-RJ45-...	M-5
MDCDN-1-5FR-CA	L-10	MDE45-1-4FR-RJ45-CA	M-22	MDE45P-4MFP-...	M-4
MDCDN-2-5FR-CA	L-11	MDE45-1-8FR-110-CA	M-24	MDE45P-4MMP-...	M-4
MDCDN-5FP-DP1	L-4	MDE45-1-8FR-RJ45-CA	M-22	MDE45P-4MP-...	M-2
MDCDN-5FYMF	L-5	MDE45-2-4FR-110-CA	M-25	MDE45P-4MP-RJ45-...	M-5
MDCDN-5MP-DP1	L-4	MDE45-2-4FR-RJ45-CA	M-23	MDE45P-8FFP-...	M-4
MDCIN-3MFP-AD1	A-15	MDE45-2-8FR-110-CA	M-25	MDE45P-8FP-...	M-3
MDCIN-3MFPX-...	H-15	MDE45-2-8FR-RJ45-CA	M-23	MDE45P-8FP-RJ45-...	M-6
MDCIN-4MFP-AD1	A-15	MDE45-4FFP-...	M-4	MDE45P-8MFP-...	M-4
MDCIN-5MFP-AD1	A-15	MDE45-4FP-...	M-2	MDE45P-8MMP-...	M-4
MDCIN-5MFPX-...	H-15	MDE45-4FP-FW...	M-7	MDE45P-8MP-...	M-3
MDCINC-4MFPX-...	H-15	MDE45-4FP-RJ45-...	M-5	MDE45P-8MP-RJ45-...	M-6
MDCM-3CBL-C	X-8	MDE45-4FR-2	M-8	MDE45PB-4FP-...	M-2
MDCM-3FP-...	H-7	MDE45-4FR-4	M-8	MDE45PB-4FP-RJ45-...	M-5
MDCM-3MP-...	H-6	MDE45-4FR-BM	M-8	MDE45PB-4MP-...	M-2
MDCM-4CBL-C	X-8	MDE45-4FR-M20	M-8	MDE45PB-4MP-RJ45-...	M-5
MDCM-4FP-...	H-7	MDE45-4FR-PG9	M-8	MDE45RJ-4FFR-BM	M-10
MDCM-4FP-FW07	H-22	MDE45-4FR-RJ45-2-...	M-11	MDE45RJ-4MFR-BM	M-10
MDCM-4FR-PCB...	I-9	MDE45-4FR-RJ45-BM-...	M-11	MDNT-3MFP-...	H-16
MDCM-4MP-...	H-6	MDE45-4MFP-...	M-4	MDNT-3YFF-...	H-11
MDCM-4MP-FW07	H-22	MDE45-4MMP-...	M-4	MDNT-4MFP-...	H-16
MDCM-4MR-PCB...	I-8	MDE45-4MP-...	M-2	MEC-3FP-...	J-2
MDCM-5CBL-C	X-8	MDE45-4MP-FW...	M-7	MEC-3FR-2...	J-6
MDCM-5FP-...	H-7	MDE45-4MP-RJ45-...	M-5	MEC-3FR-4...	J-6
MDCM-5FP-FW07	H-22	MDE45-4MR-2	M-8	MEC-3MP-...	J-2
MDCM-5FR-PCB...	I-9	MDE45-4MR-4	M-8	MEC-3MR-2...	J-6
MDCM-5MP-...	H-6	MDE45-4MR-BM	M-8	MEC-3MR-4...	J-6
MDCM-5MP-FW07	H-22	MDE45-4MR-M20	M-8	MEC-4FP-...	J-2
MDCM-5MR-PCB...	I-8	MDE45-4MR-PG9	M-8	MEC-4FP-FW...	J-3
MDCM-6CBL-C	X-8	MDE45-4MR-RJ45-2-...	M-11	MEC-4FR-2...	J-6
MDCM-6FP-...	H-7	MDE45-4MR-RJ45-BM-...	M-11	MEC-4FR-4...	J-6
MDCM-6MFP-...	H-12	MDE45-8FFP-...	M-4	MEC-4FR-BM...	J-7
MDCM-6MP-...	H-6	MDE45-8FP-...	M-3	MEC-4FR-PCB...	J-5
MDCM-8FP-FW07	H-22	MDE45-8FP-RJ45-...	M-6	MEC-4MP-...	J-2
MDCM-8MP-FW07	H-22	MDE45-8FR-2	M-8	MEC-4MP-FW...	J-3
MDCP-3CBL...	X-8	MDE45-8FR-4	M-8	MEC-4MR-2...	J-6
MDCP-3FP-...	H-5	MDE45-8FR-BM	M-8	MEC-4MR-4...	J-6
MDCP-3MP-...	H-5	MDE45-8FR-M20	M-8	MEC-4MR-BM...	J-7
MDCP-4CBL...	X-8	MDE45-8FR-PG9	M-8	MEC-4MR-PCB...	J-4
MDCP-4FP-...	H-5	MDE45-8FR-RJ45-2-...	M-11	MEC-5FP-...	J-2
MDCP-4MFP-...	H-14	MDE45-8FR-RJ45-BM-...	M-11	MEC-5FP-FW...	J-3
MDCP-4MP-...	H-5	MDE45-8MFP-...	M-4	MEC-5FR-2...	J-6
MDCP-5CBL...	X-8	MDE45-8MMP-...	M-4	MEC-5FR-4...	J-6
MDCP-5FP-...	H-5	MDE45-8MP-...	M-3	MEC-5FR-BM...	J-7
MDCP-5MP-...	H-5	MDE45-8MP-RJ45-...	M-6	MEC-5FR-PCB...	J-5
MDCP-8CBL-C	X-8	MDE45-8MR-2	M-8	MEC-5MP-...	J-2
MDCP-8FP-...	H-5	MDE45-8MR-4	M-8	MEC-5MP-FW...	J-3
MDCP-8FP-10M-R	H-5	MDE45-8MR-BM	M-8	MEC-5MR-2...	J-6
MDCP-8MFP-...	H-14	MDE45-8MR-M20	M-8	MEC-5MR-4...	J-6
MDCP-8MP-...	H-5	MDE45-8MR-PG9	M-8	MEC-5MR-BM...	J-7
MDC-PLUG	H-24	MDE45-8MR-RJ45-2-...	M-11	MEC-5MR-PCB...	J-4
MDC-PLUG-PA	H-24	MDE45-8MR-RJ45-BM-...	M-11	MECM-4FR-PCB...	J-5
MDC-SB-PLUG	H-24	MDE45C5-4...	M-8	MECM-4MR-PCB...	J-4

Part Number Index

MIN-10FR-1-18-M... ❖ MIN-3MP-20A

Part Number	Page	Part Number	Page	Part Number	Page
MECM-5FR-PCB...	J-5	MIN-19MR-1	D-10	MIN-3FP-12-R	A-5
MECM-5MR-PCB...	J-4	MIN-19MR-1-BM	D-13	MIN-3FP-20	A-4
MFG-...	V-16	MIN-19MR-1-M...	D-12	MIN-3FP-20A	A-6
MIN-10CBLX-C	X-5	MIN-19MR-1-PG...	D-11	MIN-3FP-20A-R	A-6
MIN-10FP-FW...	D-6	MIN-2-CAP...	C-6	MIN-3FP-20-R	A-5
MIN-10FPX-...	D-2	MIN-2CBL-C	X-3	MIN-3FP-3	A-4
MIN-10FPX-...-R	D-3	MIN-2FP-...	A-4	MIN-3FP-30	A-4
MIN-10FR-1-18	D-10	MIN-2FP-...-R	A-5	MIN-3FP-30A	A-6
MIN-10FR-1-18-BM	D-13	MIN-2FP-DP1	A-11	MIN-3FP-30A-R	A-6
MIN-10FR-1-18-M...	D-12	MIN-2FR-1	B-2	MIN-3FP-30-R	A-5
MIN-10FR-1-18-PG...	D-11	MIN-2FR-1-18	B-2	MIN-3FP-3A	A-6
MIN-10FR-1-22	D-10	MIN-2FR-1-18-BM	B-9	MIN-3FP-3A-R	A-6
MIN-10FR-1-22-BM	D-13	MIN-2FR-1-18-M...	B-8	MIN-3FP-3-R	A-5
MIN-10FR-1-22-M...	D-12	MIN-2FR-1-18-PG...	B-7	MIN-3FP-6	A-4
MIN-10FR-1-22-PG...	D-11	MIN-2FR-1-18-PM	B-10	MIN-3FP-6A	A-6
MIN-10MFPX-...	D-5	MIN-2FR-1-18-R	B-6	MIN-3FP-6A-R	A-6
MIN-10MP-FW...	D-6	MIN-2FR-1-22	B-2	MIN-3FP-6-R	A-5
MIN-10MPM-FW...	D-6	MIN-2FR-1-22-BM	B-9	MIN-3FP-DP1	A-11
MIN-10MPX-...	D-2	MIN-2FR-1-22-PM	B-10	MIN-3FP-FW...	A-13
MIN-10MR-1-18	D-10	MIN-2FR-1-22-R	B-6	MIN-3FPX-12	A-2
MIN-10MR-1-18-BM	D-13	MIN-2FR-1-BM	B-9	MIN-3FPX-12A	A-6
MIN-10MR-1-18-M...	D-12	MIN-2FR-1-PM	B-10	MIN-3FPX-12A-R	A-6
MIN-10MR-1-18-PG...	D-11	MIN-2FR-1-R	B-6	MIN-3FPX-12-R	A-2
MIN-10MR-1-22	D-10	MIN-2FR-BM-PCB	B-12	MIN-3FPX-20	A-2
MIN-10MR-1-22-BM	D-13	MIN-2FR-PCB	B-12	MIN-3FPX-20A	A-6
MIN-10MR-1-22-M...	D-12	MIN-2FR-SC	B-5	MIN-3FPX-20A-R	A-6
MIN-10MR-1-22-PG...	D-11	MIN-2MFP...	A-7	MIN-3FPX-20-R	A-2
MIN-12CBLX-C	X-5	MIN-2MFR-TM	B-11	MIN-3FPX-3	A-2
MIN-12FP-FW...	D-6	MIN-2MP-...	A-4	MIN-3FPX-30	A-2
MIN-12FPX-...	D-2	MIN-2MP-...-R	A-5	MIN-3FPX-30A	A-6
MIN-12FPX-...-R	D-3	MIN-2MP-DP1	A-11	MIN-3FPX-30A-R	A-6
MIN-12FR-1-18	D-10	MIN-2MR-.5-22	B-2	MIN-3FPX-30-R	A-2
MIN-12FR-1-18-BM	D-13	MIN-2MR-.5-22-BM	B-9	MIN-3FPX-3A	A-6
MIN-12FR-1-18-M...	D-12	MIN-2MR-.5-22-M...	B-8	MIN-3FPX-3A-R	A-6
MIN-12FR-1-18-PG...	D-11	MIN-2MR-.5-22-PG...	B-7	MIN-3FPX-3-R	A-2
MIN-12FR-1-22	D-10	MIN-2MR-.5-22-PM	B-10	MIN-3FPX-6	A-2
MIN-12FR-1-22-BM	D-13	MIN-2MR-.5-22-R	B-6	MIN-3FPX-6A	A-6
MIN-12FR-1-22-M...	D-12	MIN-2MR-1	B-2	MIN-3FPX-6A-R	A-6
MIN-12FR-1-22-PG...	D-11	MIN-2MR-1-18	B-2	MIN-3FPX-6-R	A-2
MIN-12MFPX-...	D-5	MIN-2MR-1-18-BM	B-9	MIN-3FR-1	B-2
MIN-12MP-FW...	D-6	MIN-2MR-1-18-M...	B-8	MIN-3FR-1-18	B-2
MIN-12MPM-FW...	D-6	MIN-2MR-1-18-PG...	B-7	MIN-3FR-1-18-BM	B-9
MIN-12MPX-...	D-2	MIN-2MR-1-18-PM	B-10	MIN-3FR-1-18-M...	B-8
MIN-12MR-1-18	D-10	MIN-2MR-1-18-R	B-6	MIN-3FR-1-18-PG...	B-7
MIN-12MR-1-18-BM	D-13	MIN-2MR-1-BM	B-9	MIN-3FR-1-18-PM	B-10
MIN-12MR-1-18-M...	D-12	MIN-2MR-1-PM	B-10	MIN-3FR-1-18-R	B-6
MIN-12MR-1-18-PG...	D-11	MIN-2MR-1-R	B-6	MIN-3FR-1-22	B-2
MIN-12MR-1-22	D-10	MIN-2MR-BM-PCB	B-12	MIN-3FR-1-22-BM	B-9
MIN-12MR-1-22-BM	D-13	MIN-2MR-PCB	B-12	MIN-3FR-1-22-PM	B-10
MIN-12MR-1-22-M...	D-12	MIN-2MR-SC	B-5	MIN-3FR-1-22-R	B-6
MIN-12MR-1-22-PG...	D-11	MIN-2-PLUG	C-6	MIN-3FR-1A...	B-3
MIN-14..	B-13	MIN-3-CAP...	D-7	MIN-3FR-1-BM	B-9
MIN-19FR-1	D-10	MIN-3CBL...	X-3	MIN-3FR-1-PM	B-10
MIN-19FR-1-BM	D-13	MIN-3FP-12	A-4	MIN-3FR-1-R	B-6
MIN-19FR-1-M...	D-12	MIN-3FP-12A	A-6	MIN-3FR-BM-PCB	B-12
MIN-19FR-1-PG...	D-11	MIN-3FP-12A-R	A-6	MIN-3FR-PCB	B-12

Part Number Index

MIN-3MP-20-R ❖ MIN-5MFP...

Part Number	Page	Part Number	Page	Part Number	Page
MIN-3FR-SC	B-5	MIN-3MR-PCB	B-12	MIN-5FP-12A	A-6
MIN-3MFF-T	A-12	MIN-3MR-SC	B-5	MIN-5FP-12A-R	A-6
MIN-3MFP...	A-7	MIN-3-PLUG	D-7	MIN-5FP-12-R	A-5
MIN-3MFR-TM	B-11	MIN-3-PLUG-SS	D-7	MIN-5FP-20	A-4
MIN-3MP-12	A-4	MIN-4CBL...	X-3	MIN-5FP-20A	A-6
MIN-3MP-12A	A-6	MIN-4FP...	A-4	MIN-5FP-20A-R	A-6
MIN-3MP-12-R	A-5	MIN-4FP...-R	A-5	MIN-5FP-20-R	A-5
MIN-3MP-20	A-4	MIN-4FP-DP1	A-11	MIN-5FP-3	A-4
MIN-3MP-20A	A-6	MIN-4FP-FW...	A-13	MIN-5FP-30	A-4
MIN-3MP-20-R	A-5	MIN-4FR-1	B-2	MIN-5FP-30A	A-6
MIN-3MP-3	A-4	MIN-4FR-1-18	B-2	MIN-5FP-30A-R	A-6
MIN-3MP-30	A-4	MIN-4FR-1-18-BM	B-9	MIN-5FP-30-R	A-5
MIN-3MP-30A	A-6	MIN-4FR-1-18-M...	B-8	MIN-5FP-3A	A-6
MIN-3MP-30-R	A-5	MIN-4FR-1-18-PG...	B-7	MIN-5FP-3A-R	A-6
MIN-3MP-3A	A-6	MIN-4FR-1-18-PM	B-10	MIN-5FP-3-R	A-5
MIN-3MP-3-R	A-5	MIN-4FR-1-18-R	B-6	MIN-5FP-6	A-4
MIN-3MP-6	A-4	MIN-4FR-1-22	B-2	MIN-5FP-6A	A-6
MIN-3MP-6A	A-6	MIN-4FR-1-22-BM	B-9	MIN-5FP-6A-R	A-6
MIN-3MP-6-R	A-5	MIN-4FR-1-22-PM	B-10	MIN-5FP-6-R	A-5
MIN-3MP-DP1	A-11	MIN-4FR-1-22-R	B-6	MIN-5FP-DP1	A-11
MIN-3MP-FW...	A-13	MIN-4FR-1-BM	B-9	MIN-5FP-FW...	A-13
MIN-3MPM-FW...	A-13	MIN-4FR-1-PM	B-10	MIN-5FPX-12	A-2
MIN-3MPX-12	A-2	MIN-4FR-1-R	B-6	MIN-5FPX-12A	A-6
MIN-3MPX-12A	A-6	MIN-4FR-BM-PCB	B-12	MIN-5FPX-12A-R	A-6
MIN-3MPX-12-R	A-2	MIN-4FR-PCB	B-12	MIN-5FPX-12-R	A-2
MIN-3MPX-20	A-2	MIN-4FR-SC	B-5	MIN-5FPX-20	A-2
MIN-3MPX-20A	A-6	MIN-4MFF-T	A-12	MIN-5FPX-20A	A-6
MIN-3MPX-20-R	A-2	MIN-4MFF-T	L-5	MIN-5FPX-20A-R	A-6
MIN-3MPX-3	A-2	MIN-4MFP...	A-7	MIN-5FPX-20-R	A-2
MIN-3MPX-30	A-2	MIN-4MFR-TM	B-11	MIN-5FPX-3	A-2
MIN-3MPX-30A	A-6	MIN-4MP...	A-4	MIN-5FPX-30	A-2
MIN-3MPX-30-R	A-2	MIN-4MP...-R	A-5	MIN-5FPX-30A	A-6
MIN-3MPX-3A	A-6	MIN-4MP-DP1	A-11	MIN-5FPX-30A-R	A-6
MIN-3MPX-3-R	A-2	MIN-4MP-FW...	A-13	MIN-5FPX-30-R	A-2
MIN-3MPX-6	A-2	MIN-4MPM-FW...	A-13	MIN-5FPX-3A	A-6
MIN-3MPX-6A	A-6	MIN-4MR-5-22	B-2	MIN-5FPX-3A-R	A-6
MIN-3MPX-6-R	A-2	MIN-4MR-5-22-BM	B-9	MIN-5FPX-3-R	A-2
MIN-3MR-5-22	B-2	MIN-4MR-5-22-M...	B-8	MIN-5FPX-6	A-2
MIN-3MR-5-22-BM	B-9	MIN-4MR-5-22-PG...	B-7	MIN-5FPX-6A	A-6
MIN-3MR-5-22-M...	B-8	MIN-4MR-5-22-PM	B-10	MIN-5FPX-6A-R	A-6
MIN-3MR-5-22-PG...	B-7	MIN-4MR-5-22-R	B-6	MIN-5FPX-6-R	A-2
MIN-3MR-5-22-PM	B-10	MIN-4MR-1	B-2	MIN-5FR-1	B-2
MIN-3MR-5-22-R	B-6	MIN-4MR-1-18	B-2	MIN-5FR-1-18	B-2
MIN-3MR-5A-22	B-3	MIN-4MR-1-18-BM	B-9	MIN-5FR-1-18-BM	B-9
MIN-3MR-1	B-2	MIN-4MR-1-18-M...	B-8	MIN-5FR-1-18-DN	L-6
MIN-3MR-1-18	B-2	MIN-4MR-1-18-PG...	B-7	MIN-5FR-1-18-M...	B-8
MIN-3MR-1-18-BM	B-9	MIN-4MR-1-18-PM	B-10	MIN-5FR-1-18-PG...	B-7
MIN-3MR-1-18-M...	B-8	MIN-4MR-1-18-R	B-6	MIN-5FR-1-18-PM	B-10
MIN-3MR-1-18-PG...	B-7	MIN-4MR-1-BM	B-9	MIN-5FR-1-18-R	B-6
MIN-3MR-1-18-PM	B-10	MIN-4MR-1-PM	B-10	MIN-5FR-1-22	B-2
MIN-3MR-1-18-R	B-6	MIN-4MR-1-R	B-6	MIN-5FR-1-22-BM	B-9
MIN-3MR-1A...	B-3	MIN-4MR-BM-PCB	B-12	MIN-5FR-1-22-DN	L-6
MIN-3MR-1-BM	B-9	MIN-4MR-PCB	B-12	MIN-5FR-1-22-PM	B-10
MIN-3MR-1-PM	B-10	MIN-4MR-SC	B-5	MIN-5FR-1-22-R	B-6
MIN-3MR-1-R	B-6	MIN-5CBL...	X-3	MIN-5FR-1A...	B-3
MIN-3MR-BM-PCB	B-12	MIN-5FP-12	A-4	MIN-5FR-1-BM	B-9

Part Number Index

MIN-5MFR-TM ❖ MIN-8MFPX2-...

Part Number	Page	Part Number	Page	Part Number	Page
MIN-5FR-1-DN	L-6	MIN-5MR-1-18-PG11	B-7	MIN-6MP2-DP1	C-5
MIN-5FR-1-PM	B-10	MIN-5MR-1-18-PG13.5	B-7	MIN-6MP-FW...	A-13
MIN-5FR-1-R	B-6	MIN-5MR-1-18-PM	B-10	MIN-6MPM-FW...	A-13
MIN-5FR-BM-PCB	B-12	MIN-5MR-1-18-R	B-6	MIN-6MPX-...	A-2
MIN-5FR-PCB	B-12	MIN-5MR-1-22-DN	L-6	MIN-6MPX2-...	C-2
MIN-5FR-SC	B-5	MIN-5MR-1A...	B-3	MIN-6MR-.5-22	B-2
MIN-5MFF-T	A-12	MIN-5MR-1-BM	B-9	MIN-6MR-.5-22-BM	B-9
MIN-5MFF-T	L-5	MIN-5MR-1-DN	L-6	MIN-6MR-.5-22-M...	B-8
MIN-5MFP...	A-7	MIN-5MR-1-PM	B-10	MIN-6MR-.5-22-PG...	B-7
MIN-5MFR-TM	B-11	MIN-5MR-1-R	B-6	MIN-6MR-.5-22-R	B-10
MIN-5MP-12	A-4	MIN-5MR-BM-PCB	B-12	MIN-6MR-.5-22-R	B-6
MIN-5MP-12A	A-6	MIN-5MR-PCB	B-12	MIN-6MR-1	B-2
MIN-5MP-12-R	A-5	MIN-5MR-SC	B-5	MIN-6MR-1-18	B-2
MIN-5MP-20	A-4	MIN-60-2423-...	A-4	MIN-6MR-1-18-BM	B-9
MIN-5MP-20A	A-6	MIN-6CBL-C	X-3	MIN-6MR-1-18-M...	B-8
MIN-5MP-20-R	A-5	MIN-6CBLX2-C	X-4	MIN-6MR-1-18-PG...	B-7
MIN-5MP-3	A-4	MIN-6CBLX-C	X-3	MIN-6MR-1-18-PM	B-10
MIN-5MP-30	A-4	MIN-6FP-...	A-4	MIN-6MR-1-18-R	B-6
MIN-5MP-30A	A-6	MIN-6FP-...-R	A-5	MIN-6MR-1-BM	B-9
MIN-5MP-30-R	A-5	MIN-6FP-DP1	A-11	MIN-6MR-1-PM	B-10
MIN-5MP-3A	A-6	MIN-6FP-FW...	A-13	MIN-6MR-1-R	B-6
MIN-5MP-3-R	A-5	MIN-6FPX-...	A-2	MIN-6MR2-.5-22	C-8
MIN-5MP-6	A-4	MIN-6FPX2-...	C-2	MIN-6MR2-.5-22-BM	C-11
MIN-5MP-6A	A-6	MIN-6FR-1	B-2	MIN-6MR2-.5-22-M20	C-10
MIN-5MP-6-R	A-5	MIN-6FR-1-18	B-2	MIN-6MR2-.5-22-PG...	C-9
MIN-5MP-DP1	A-11	MIN-6FR-1-18-BM	B-9	MIN-6MR2-1-18	C-8
MIN-5MP-FW...	A-13	MIN-6FR-1-18-M...	B-8	MIN-6MR2-1-18-BM	C-11
MIN-5MPM-FW...	A-13	MIN-6FR-1-18-PG...	B-7	MIN-6MR2-1-18-M20	C-10
MIN-5MPX-12	A-2	MIN-6FR-1-18-PM	B-10	MIN-6MR2-1-18-PG...	C-9
MIN-5MPX-12A	A-6	MIN-6FR-1-18-R	B-6	MIN-6MR-BM-PCB	B-12
MIN-5MPX-12-R	A-2	MIN-6FR-1-22	B-2	MIN-6MR-PCB	B-12
MIN-5MPX-20	A-2	MIN-6FR-1-22-BM	B-9	MIN-6MR-SC	B-5
MIN-5MPX-20A	A-6	MIN-6FR-1-22-PM	B-10	MIN-7CBLX2-C	X-4
MIN-5MPX-20-R	A-2	MIN-6FR-1-22-R	B-6	MIN-7FPX2-...	C-2
MIN-5MPX-3	A-2	MIN-6FR-1-BM	B-9	MIN-7FR2-1-18	C-8
MIN-5MPX-30	A-2	MIN-6FR-1-PM	B-10	MIN-7FR2-1-18-BM	C-11
MIN-5MPX-30A	A-6	MIN-6FR-1-R	B-6	MIN-7FR2-1-18-M20	C-10
MIN-5MPX-30-R	A-2	MIN-6FR2-1-18	C-8	MIN-7FR2-1-18-PG...	C-9
MIN-5MPX-3A	A-6	MIN-6FR2-1-18-BM	C-11	MIN-7FR2-1-22	C-8
MIN-5MPX-3-R	A-2	MIN-6FR2-1-18-M20	C-10	MIN-7FR2-1-22-BM	C-11
MIN-5MPX-6	A-2	MIN-6FR2-1-18-PG...	C-9	MIN-7FR2-1-22-M20	C-10
MIN-5MPX-6A	A-6	MIN-6FR2-1-22	C-8	MIN-7FR2-1-22-PG...	C-9
MIN-5MPX-6-R	A-2	MIN-6FR2-1-22-BM	C-11	MIN-7MFPX2-...	C-4
MIN-5MR-.5-22	B-2	MIN-6FR2-1-22-M20	C-10	MIN-7MP-DP1	C-5
MIN-5MR-.5-22-BM	B-9	MIN-6FR2-1-22-PG13.5	C-9	MIN-7MPX2-...	C-2
MIN-5MR-.5-22-M...	B-8	MIN-6FR2-1-22-PG16	C-9	MIN-7MR2-.5-22	C-8
MIN-5MR-.5-22-PG...	B-7	MIN-6FR-BM-PCB	B-12	MIN-7MR2-.5-22-BM	C-11
MIN-5MR-.5-22-PM	B-10	MIN-6FR-PCB	B-12	MIN-7MR2-.5-22-M20	C-10
MIN-5MR-.5-22-R	B-6	MIN-6FR-SC	B-5	MIN-7MR2-.5-22-PG...	C-9
MIN-5MR-.5A-22	B-3	MIN-6MFP-...	A-7	MIN-7MR2-1-18	C-8
MIN-5MR-1	B-2	MIN-6MFPX-...	A-7	MIN-7MR2-1-18-BM	C-11
MIN-5MR-1-18	B-2	MIN-6MFPX2-...	C-4	MIN-7MR2-1-18-M20	C-10
MIN-5MR-1-18-BM	B-9	MIN-6MFR-TM	B-11	MIN-7MR2-1-18-PG...	C-9
MIN-5MR-1-18-DN	L-6	MIN-6MP-...	A-4	MIN-8CBLX2-C	X-4
MIN-5MR-1-18-M16	B-8	MIN-6MP-...-R	A-5	MIN-8FPX2-...	C-2
MIN-5MR-1-18-M20	B-8	MIN-6MP-DP1	A-11	MIN-8FPX2-12-R	C-2

Part Number Index

MIN-8MP-DP1 ❖ NAN-T-6FP-...

Part Number	Page	Part Number	Page	Part Number	Page
MIN-8FR2-1-18	C-8	MIN-CAP...	A-14	MINP-10FPX-...	D-4
MIN-8FR2-1-18-BM	C-11	MINCP-4FPX-...	A-8	MINP-10MFPX-...	D-5
MIN-8FR2-1-18-M20	C-10	MINDC-5MFF-T	L-5	MINP-10MPX-...	D-4
MIN-8FR2-1-18-PG...	C-9	MINDCDD-5MFP-...	L-4	MINP-12CBLX-C	X-5
MIN-8FR2-1-22	C-8	MINDD-5FP-...	L-2	MINP-12FPX-...	D-4
MIN-8FR2-1-22-BM	C-11	MINDD-5FR-...	L-6	MINP-12MFPX-...	D-5
MIN-8FR2-1-22-M20	C-10	MINDD-5MFP-...	L-2	MINP-12MPX-...	D-4
MIN-8FR2-1-22-PG...	C-9	MINDD-5MP-...	L-2	MINP-14FP-...	A-10
MIN-8MFPX2-...	C-4	MINDD-5MR-...	L-6	MINP-14MFP-...	A-10
MIN-8MP-DP1	C-5	MINDN-1-5FR-CA	L-10	MINP-14MP-...	A-10
MIN-8MPX2-...	C-2	MINDN-2-5FR-CA	L-11	MINP-19CBL-C	X-5
MIN-8MR2-5-22	C-8	MINDN-5FP-DP1	L-4	MINP-19FP-...	D-4
MIN-8MR2-5-22-BM	C-11	MINDN-5MP-DP1	L-4	MINP-19MFP-...	D-5
MIN-8MR2-5-22-M20	C-10	MINDT-5FP-...	L-2	MINP-19MP-...	D-4
MIN-8MR2-5-22-PG...	C-9	MINDT-5FR-...	L-6	MINP-3...	A-8
MIN-8MR2-1-18	C-8	MINDT-5MFP-...	L-2	MINP-5...	A-8
MIN-8MR2-1-18-BM	C-11	MINDT-5MP-...	L-2	MINP-6CBLX2-C	X-4
MIN-8MR2-1-18-M20	C-10	MINDT-5MR-...	L-6	MINP-6FPX-...	A-8
MIN-8MR2-1-18-PG...	C-9	MINE-2MFPX-...	A-7	MINP-6FPX2-...	C-3
MIN-9CBLX-C	X-5	MINE-3FPX-...	A-3	MINP-6MPX-...	A-8
MIN-9FP-FW...	D-5	MINE-3FR-1...	B-4	MINP-6MPX2-...	C-3
MIN-9FPX-...	D-2	MINE-3MFPX-...	A-7	MINP-7CBLX2-C	X-4
MIN-9FPX-...R	D-3	MINE-3MPX-...	A-3	MINP-7...	C-3
MIN-9FR-1-18	D-10	MINE-3MR-5-22	B-4	MINP-8CBLX2-C	X-4
MIN-9FR-1-18-BM	D-13	MINE-3MR-1...	B-4	MINP-8...	C-3
MIN-9FR-1-18-M...	D-12	MINE-5FPX-...	A-3	MINP-9CBLX-C	X-5
MIN-9FR-1-18-PG...	D-11	MINE-5FR-1...	B-4	MINP-9FPX-...	D-4
MIN-9FR-1-22	D-10	MINE-5MFPX-...	A-7	MINP-9MFPX-...	D-5
MIN-9FR-1-22-BM	D-13	MINE-5MPX-...	A-3	MINP-9MPX-...	D-4
MIN-9FR-1-22-M...	D-12	MINE-5MR-5-22	B-4	MIN-PLUG	A-14
MIN-9FR-1-22-PG...	D-11	MINE-5MR-1...	B-4	MIN-PLUG-N	A-14
MIN-9MFPX-...	D-5	MINE-6FPX-...	A-3	MINW-3CBL-C	X-3
MIN-9MP-FW...	D-6	MINE-6FR-1...	B-4	MINW-...	A-9
MIN-9MPM-FW...	D-6	MINE-6MFPX-...	A-7	MIN-XMP2-AD	C-6
MIN-9MPX-...	D-2	MINE-6MPX-...	A-3	MIN-XMP3-AD	D-7
MIN-9MR-1-18	D-10	MINE-6MR-5-22	B-4	MIN-XMP3-AD-SS	D-7
MIN-9MR-1-18-BM	D-13	MINE-6MR-1...	B-4	MIN-XMP-AD	A-14
MIN-9MR-1-18-M...	D-12	MINEDC-3MFP-AD1	A-15	MIN-XMP-AD-SS	A-14
MIN-9MR-1-18-PG...	D-11	MINEDC-4MFP-AD1	A-15	NAN-3FP-...	K-2
MIN-9MR-1-22	D-10	MINEDC-5MFP-AD1	A-15	NAN-3FP-...-NPN	K-4
MIN-9MR-1-22-BM	D-13	MINH-3FP-...	E-2	NAN-3FP-...-PNP	K-4
MIN-9MR-1-22-M...	D-12	MINH-3FR-...	E-4	NAN-4FP-...	K-2
MIN-9MR-1-22-PG...	D-11	MINH-3MFP-...	E-3	NANDC-3MFP-...	H-16
MINC-3FPX-...	A-3	MINH-3MP-...	E-2	NANP-3FP-...	K-2
MINC-3FR-1...	B-4	MINH-3MR-...	E-4	NANP-4FP-...	K-2
MINC-3MPX-...	A-3	MINH-4FP-...	E-2	NANP-T-3FP-...	K-3
MINC-3MR-5-22	B-4	MINH-4FR-...	E-4	NANP-T-4FP-...	K-3
MINC-3MR-1...	B-4	MINH-4MFP-...	E-3	NAN-T-3FP-...	K-3
MINC-4FP-FW...	A-13	MINH-4MP-...	E-2	NAN-T-3FP-...-NPN	K-4
MINC-4FPX-...	A-3	MINH-4MR-...	E-4	NAN-T-3FP-...-PNP	K-4
MINC-4FR-1...	B-4	MINH-7FPX-...	E-2	NAN-T-3FP-FW...	K-5
MINC-4MFPX-...	A-7	MINH-7FR-...	E-4	NAN-T-3FR-M8	K-6
MINC-4MP-FW...	A-13	MINH-7MFPX-...	E-3	NAN-T-3MFP-...	K-5
MINC-4MPX-...	A-3	MINH-7MPX-...	E-2	NAN-T-3MP-...	K-3
MINC-4MR-5-22	B-4	MINH-7MR-...	E-4	NAN-T-3MP-FW...	K-5
MINC-4MR-1...	B-4	MINP-10CBLX-C	X-5	NAN-T-3MR-...	K-6

Part Number Index

NAN-T-6MFP-... ❖ VAJ-A20-00

Part Number	Page	Part Number	Page	Part Number	Page
NAN-T-4FP-...	K-3	PCG-13.5...	V-6	RJ11-RJ45-10LS	W-9
NAN-T-4FP-FW...	K-5	PCG-13.5-ASI	V-26	RJ22-M25	W-10
NAN-T-4FR-M8	K-6	PCG-16...	V-6	RJ45-03	M-27
NAN-T-4MFP-...	K-5	PCG-21...	V-6	RJ45-03	W-18
NAN-T-4MP-...	K-3	PCG-29...	V-6	RJ45-06LS	W-5
NAN-T-4MP-FW...	K-5	PCG-3/4...	V-3	RJ45-07	M-27
NAN-T-4MR-2	K-6	PCG-3/8...	V-3	RJ45-10	M-27
NAN-T-4MR-M8	K-6	PCG-36...	V-6	RJ45-15	M-27
NAN-T-6FP-...	K-3	PCG-42...	V-6	RJ45-15	W-18
NAN-T-6MFP-...	K-5	PCG-48...	V-6	RJ45-2-10LS	W-5
NAN-T-6MP-...	K-3	PCGA-07...	V-9	RJ45-25	W-18
NANTDC-3MFP-...	H-16	PCGA-09...	V-9	RJ45-2USB-10-16LS	W-5
NANTDC-4MFP-...	H-16	PCGA-11...	V-9	RJ45-2USB-3-16LS	W-5
PBDC-1-4FR-CA	P-7	PCGA-13.5...	V-9	RJ45-2USB-6-16LS	W-5
PBDC-2-4FR-CA	P-8	PCGA-16...	V-9	RJ45-2USB-zz-24	W-9
PBDC-4FP-FW...	P-3	PCGA-21...	V-9	RJ45-8MMP-...	M-15
PBDC-4FPX-...	P-2	PCGA-29...	V-9	RJ45C-2-10LS	W-9
PBDC-4FR-2-...	P-5	PCGEX-M...	V-19	RJ45-CKIT	M-27
PBDC-4FR-M20-...	P-6	PCG-M...	V-15	RJ45-CVKIT	M-27
PBDC-4FR-PG9-...	P-6	PCGU-...	V-20	RJ45-EZ5-FW	M-21
PBDC-4MFPX-...	P-2	PGF-...	V-16	RJ45-EZ-CT	M-21
PBDC-4MP-FW...	P-3	PG07-BP	V-12	RJ45-EZ-CT-RB	M-21
PBDC-4MPX-...	P-2	PG07-M12	V-10	RJ45-EZ-SR-CL	M-21
PBDC-4MR-2-...	P-5	PG09-...X...	V-24	RJ45-M25	W-10
PBDC-4MR-M20-...	P-6	PG09-BP	V-12	RJ45P-8MMP-...	M-15
PBDC-4MR-PG9-...	P-6	PG09-M16	V-10	RJ45S-EZ5-FW	M-21
PBEC-3FP-...	O-2	PG11-...X...	V-24	RJ45-TS	W-8
PBEC-3FR-...	O-6	PG11-1/2	V-10	SGC-...	V-29
PBEC-3MFP-...	O-2	PG11-3/8	V-10	SGL-...	V-27
PBEC-3MP-...	O-2	PG11-BP	V-12	SG-M...	V-29
PBEC-3MR-...	O-6	PG11-M16	V-10	SG-PG...	V-28
PBEC-5FR-PCB...	O-5	PG13.5-...X...	V-24	V-25TB	U-2
PBEC-5MR-PCB...	O-4	PG13.5-1/2	V-10	V-30TB	U-2
PBECM-5FP-FW07	O-3	PG13.5-BP	V-12	VAC-021-00	U-3
PBECM-5FR-PCB...	O-5	PG13.5-M20	V-10	VAC-022-00	U-3
PBECM-5MP-FW07	O-3	PG16-/12	V-10	VAC-029-00	U-3
PBECM-5MR-PCB...	O-4	PG16-...X...	V-24	VAC-029-3...	U-9
PBIN-1-4FR-CA	P-7	PG16-BP	V-12	VAC-220-00	U-4
PBIN-2-4FR-CA	P-8	PG16-M20	V-10	VAC-520-00	U-4
PBIN-4FP-FW...	P-3	PG16-M25	V-10	VAC-A20-00	U-4
PBIN-4FPX-...	P-2	PG21-...X...	V-25	VAG-021-00	U-3
PBIN-4FR-...	P-5	PG21-3/4	V-10	VAG-022-00	U-3
PBIN-4MFF-T-SS	P-4	PG21-BP	V-12	VAG-029-00	U-3
PBIN-4MFPX-...	P-2	PG21-M25	V-10	VAG-029-3...	U-9
PBIN-4MPM-FW...	P-3	PG21-M32	V-10	VAG-220-00	U-4
PBIN-4MPX-...	P-2	PG29-...X...	V-25	VAG-220-34...	U-10
PBIN-4MR-...	P-5	PG29-1	V-10	VAG-220-35...	U-11
PBINDC-4MFF-T-SS	P-4	PG29-BP	V-12	VAG-520-00	U-4
PCG-0...	V-6	PG29-M40	V-10	VAG-520-34...	U-10
PCG-1.0...	V-3	PG36-...	V-10	VAG-520-35...	U-11
PCG-1.25...	V-3	PG42-...	V-10	VAG-A20-00	U-4
PCG-1/2	V-3	RJ11-03	W-18	VAG-A20-34...	U-10
PCG-1/2-2ASI	V-26	RJ11-06LS	W-5	VAG-A20-35...	U-11
PCG-1/2-ASI	V-26	RJ11-14	W-18	VAJ-021-00	U-3
PCG-1/2...	V-3	RJ11-25	W-18	VAJ-022-00	U-3
PCG-11...	V-6	RJ11-M25	W-10	VAJ-029-00	U-3

Part Number Index

VAJ-A20-34... ❖ VMA-...

Part Number	Page	Part Number	Page	Part Number	Page
VAJ-029-3...	U-9	VCJ-220-00	U-7	VEG-027-00	U-8
VAJ-089-3...	U-9	VCJ-220-3...	U-14	VEG-220-00	U-8
VAJ-220-00	U-4	VCJ-520-00	U-7	VEG-220-3...	U-15
VAJ-220-34...	U-10	VCJ-520-3...	U-14	VEG-520-00	U-8
VAJ-220-35...	U-11	VCJ-A20-00	U-7	VEG-520-3...	U-15
VAJ-520-00	U-4	VCJ-A20-3...	U-14	VEG-A20-00	U-8
VAJ-520-34...	U-10	VCN-037-00	U-7	VEG-A20-3...	U-15
VAJ-520-35...	U-11	VCN-220-3...	U-14	VEJ-027-00	U-8
VAJ-A20-00	U-4	VCN-230-00	U-7	VEJ-220-00	U-8
VAJ-A20-34...	U-10	VCN-290-00	U-7	VEJ-220-3...	U-15
VAJ-A20-35...	U-11	VCN-520-3...	U-14	VEJ-520-00	U-8
VAN-021-00	U-3	VCN-530-00	U-7	VEJ-520-3...	U-15
VAN-022-00	U-3	VCN-590-00	U-7	VEJ-A20-00	U-8
VAN-029-00	U-3	VCN-A20-3...	U-14	VEJ-A20-3...	U-15
VAN-029-3401	U-9	VCN-A30-00	U-7	VEN-037-00	U-8
VAN-029-3501	U-9	VCN-A90-00	U-7	VEN-220-3...	U-15
VAN-03...	U-3	VDC-022-00	U-6	VEN-230-00	U-8
VAN-089-3401	U-9	VDC-029-00	U-6	VEN-290-00	U-8
VAN-089-3501	U-9	VDC-029-3...	U-12	VEN-520-3...	U-15
VAN-220-00	U-4	VDC-2...	U-6	VEN-530-00	U-8
VAN-220-34...	U-10	VDC-5...	U-6	VEN-590-00	U-8
VAN-220-35...	U-11	VDC-A...	U-6	VEN-A20-3...	U-15
VAN-230-00	U-4	VDG-022-00	U-6	VEN-A30-00	U-8
VAN-520-00	U-4	VDG-029-00	U-6	VEN-A90-00	U-8
VAN-520-34...	U-10	VDG-029-3...	U-12	VFN-021-00	U-3
VAN-520-35...	U-11	VDG-220-00	U-6	VFN-029-00	U-3
VAN-530-00	U-4	VDG-220-3...	U-13	VFN-029-3...	U-9
VAN-A20-00	U-4	VDG-280-00	U-6	VFN-031-00	U-3
VAN-A20-34...	U-10	VDG-520-00	U-6	VFN-039-00	U-3
VAN-A20-35...	U-11	VDG-520-3...	U-13	VFN-089-3...	U-9
VAN-A30-00	U-4	VDG-580-00	U-6	VGN-029-00	U-5
VAR-021-00	U-3	VDG-A20-00	U-6	V-GPRA	U-2
VAR-022-00	U-3	VDG-A20-3...	U-13	VHN-...	U-7
VAR-029-00	U-3	VDG-A80-00	U-6	VJN-029-00	U-6
VAR-029-3...	U-9	VDJ-022-00	U-6	VJN-029-3...	U-12
VAR-220-00	U-4	VDJ-029-00	U-6	VJN-089-3...	U-12
VAR-520-00	U-4	VDJ-029-3...	U-12	VKN-037-00	U-8
VAR-A20-00	U-4	VDJ-220-00	U-6	VMA-...	U-2
VAS-03...	U-3	VDJ-220-3...	U-13		
VAS-230-00	U-4	VDJ-280-00	U-6		
VAS-530-00	U-4	VDJ-520-00	U-6		
VAS-A30-00	U-4	VDJ-520-3...	U-13		
VAT-03...	U-3	VDJ-580-00	U-6		
VAT-230-00	U-4	VDJ-A20-00	U-6		
VAT-530-00	U-4	VDJ-A20-3...	U-13		
VAT-A30-00	U-4	VDJ-A80-00	U-6		
VB...	U-5	VDN-022-00	U-6		
VCC-...	U-7	VDN-029-00	U-6		
VCG-027-00	U-7	VDN-029-3...	U-12		
VCG-220-00	U-7	VDN-220-00	U-6		
VCG-220-3...	U-14	VDN-220-3...	U-13		
VCG-520-00	U-7	VDN-520-00	U-6		
VCG-520-3...	U-14	VDN-520-3...	U-13		
VCG-A20-00	U-7	VDN-A20-00	U-6		
VCG-A20-3...	U-14	VDN-A20-3...	U-13		
VCJ-027-00	U-7	VEC-...	U-8		





**CABLES &
RECEPTACLES**



CABLE GLANDS



VALVE CONNECTORS



ETHERNET



MULTI PORT PLATES



**NETWORK
CONNECTORS**



ILME



JUNCTION BLOCKS



**PANEL INTERFACE
CONNECTORS**

MENCOM CORPORATION
no problems, only solutions

Phone: 770-534-4585 - Fax: 770-534-3677
www.mencom.com